

ASSEMBLY INSTRUCTIONS

FORD TRANSIT 148" CARGO – LOW ROOF MID ROOF HIGH ROOF

This document presents the detailed procedures for assembling Legend Fleet components and accessories.

Customers can make use these step-by-step procedures and easily assemble without major difficulty.



LEGEND

FLEET SOLUTIONS

519 688 1043
customercare@legendfleet.com

56957 HWY 3 WEST,
TILLSONBURG,
ON N4G 4G8.

Table of Contents

Wheel Well Cover.....	3
Floor.....	4
Floor Sills	7
Wall Liners - 148" WB - Low Roof	8
Wall Liners - 148" WB - Mid Roof	10
Wall Liners - 148" WB - High Roof	13
Ceiling Liners - 148" WB - Low Roof	16
Ceiling Liners - 148" WB - Mid Roof	19
Ceiling Liners - 148" WB - High Roof	22
Top Sills - 148" WB - Low Roof	25
Top Sills - 148" WB - Mid Roof	28
Top Sills - 148" WB - High Roof	31
Door Liners - 148" WB - Low Roof	34
Door Liners - 148" WB - Mid Roof	36
Door Liners - 148" WB - High Roof	38

Wheel Well Cover

Parts and Hardware

PARTS LIST	QTY
Driver Side's Wheel Cover	1
Passenger side's Wheel well cover	1
Push- in Rivet	4



DRIVER SIDE'S WHEEL WELL COVER



PASSENGER SIDE'S WHEEL WELL COVER

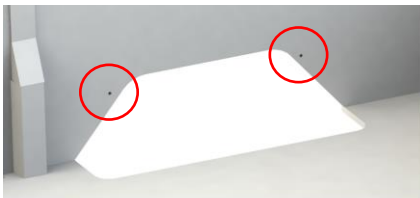


PUSH - IN RIVET

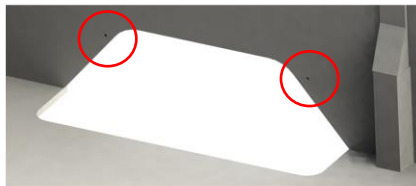
Assembly Instructions

Floor and Wall liner must be installed after the installation of Wheel well covers

Step 1: Place the **Driver side** and **Passenger side** wheel well covers in the vehicle, as shown below.



"Positioning of the Passenger side WWC"



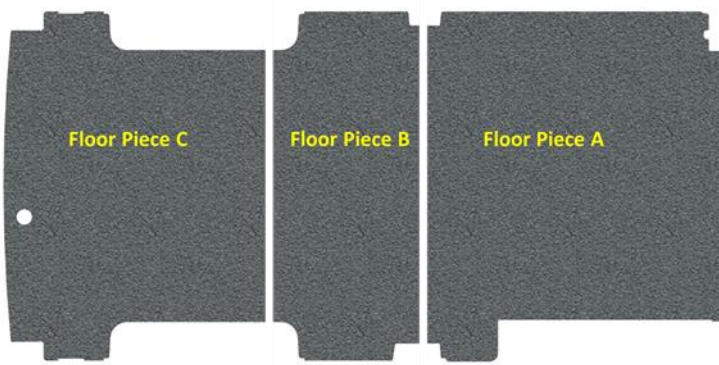
"Positioning of the Driver side WWC"



Floor

Parts and Hardware

PARTS LIST	QTY	PARTS LIST	QTY
Floor pieces	1 Each	Rear Rail Joint	1
Front Rail Joint	1	Glue Tube	1



FLOOR PIECES



FRONT RAIL JOINT



GLUE TUBE



REAR RAIL JOINT

Assembly Instructions

Remove the following items before floor installation:

1. OEM Plastic Trim
2. D-Rings
3. Tie-Downs
4. Other installed parts

Apply a thin line of glue in both the grooves of the Rail Joints, that is supplied with Legend's floor.

Step 1: Install Floor Piece A, as shown below.

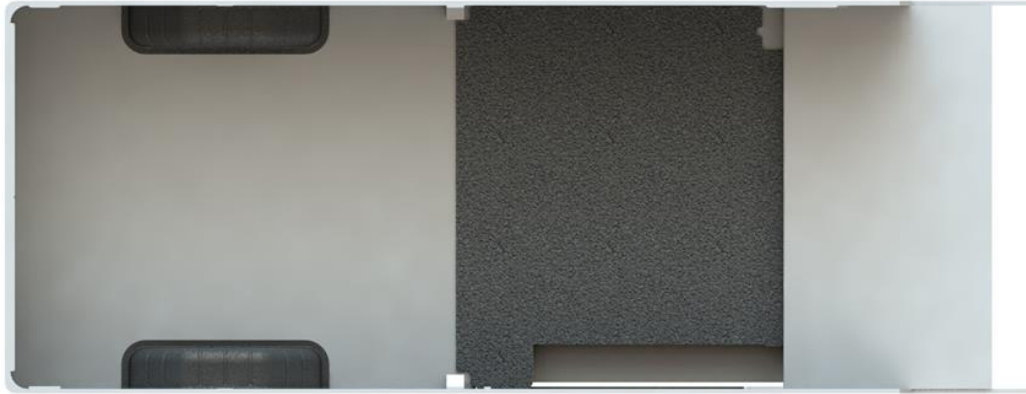


Figure 1

Step 2: Install the Parts in the following order after installing Floor Piece A. as shown below.

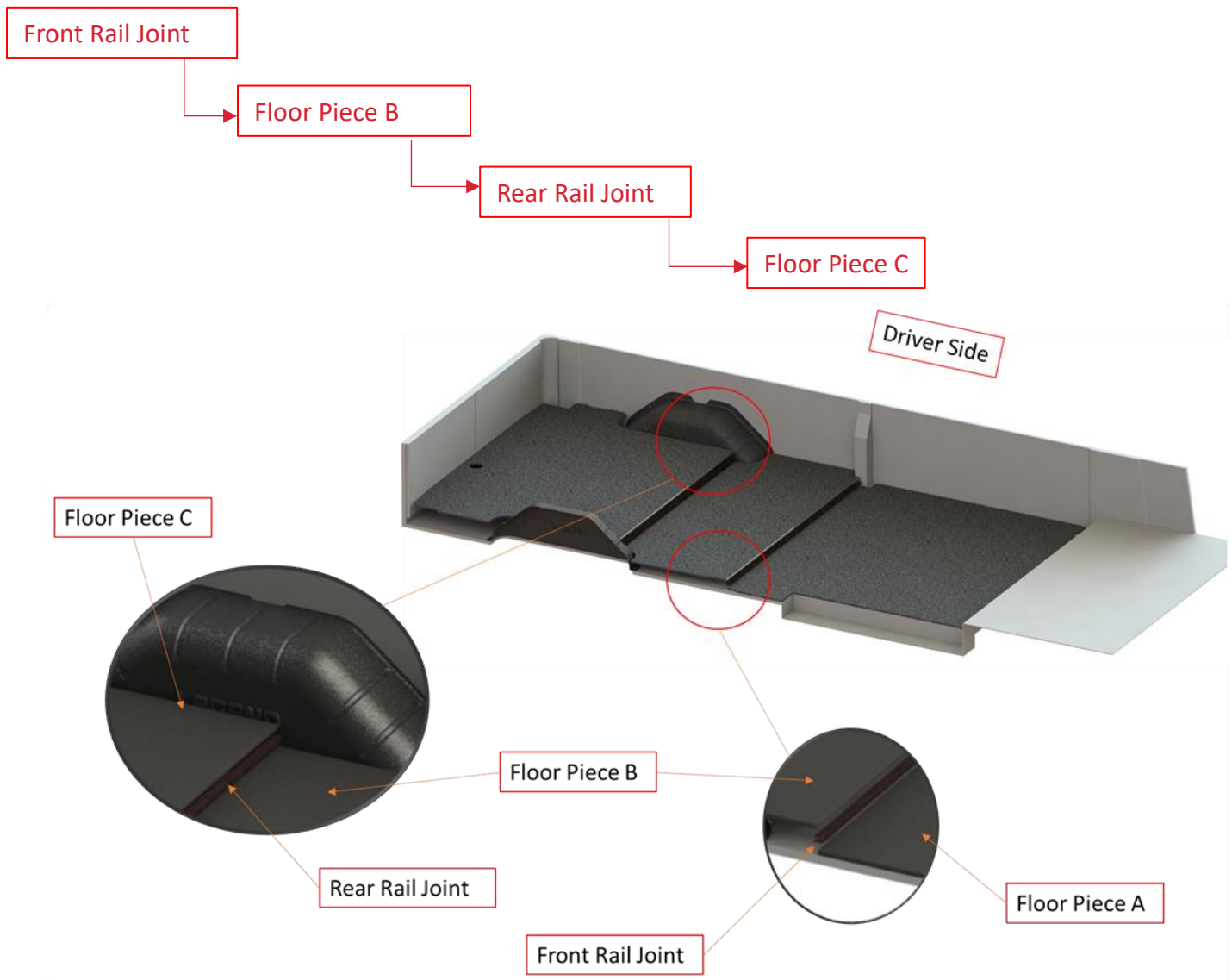


Figure 2

Step 3: Completing the installation of your Legend Floor

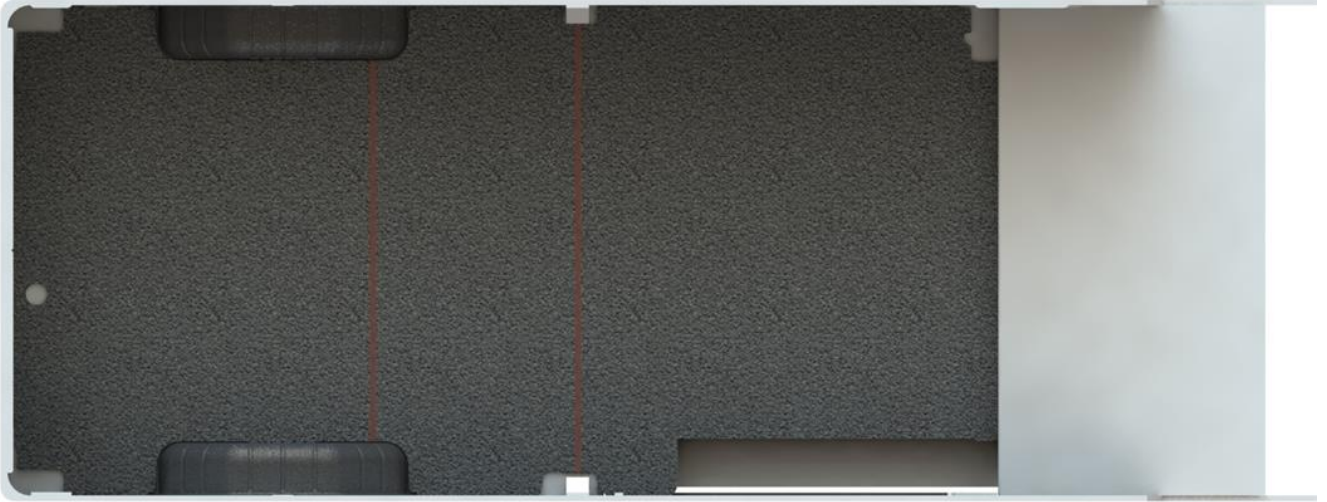


Figure 3

***"Floor Installed"** This view is from Inside of Van-Viewing from Top*

Floor Sills

Parts and Hardware

PARTS LIST	QTY
Side Sill	1
Rear Sill	1
Pan – Head Screw	7



SIDE SILL



REAR SILL



PAN-HEAD SCREW

Assembly Instructions

Step 1: Position the Side Sill on Legend’s Floor. Place the Pan Head Screws (4 Nos) to the Floor as shown below

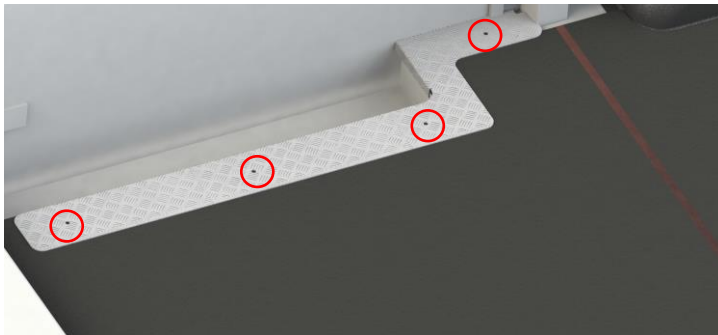


Figure 4

“Positioning and Fixing of the Side Sill”

Step 2: Position the Rear Sill on Legend’s Floor.

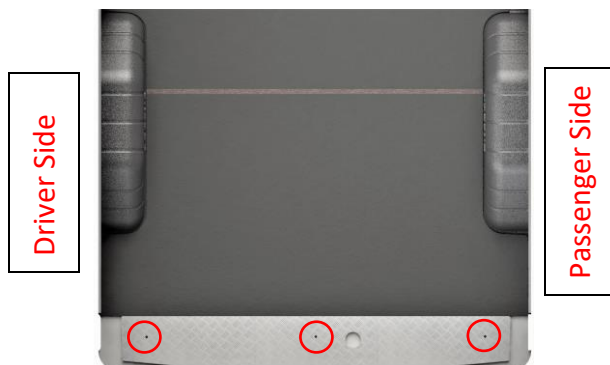


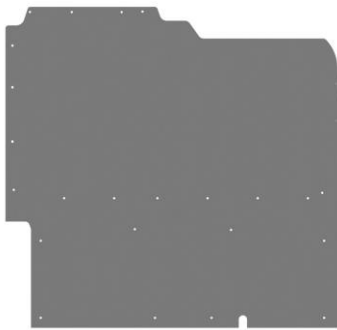
Figure 5

“Positioning and Fixing of the Rear Sill”

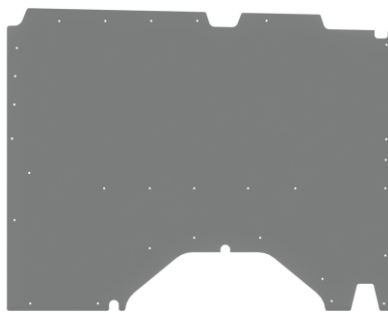
Wall Liners - 148" WB - Low Roof

Parts and Hardware

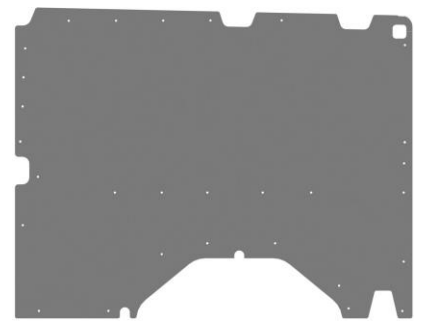
PARTS LIST	QTY	PARTS LIST	QTY
Driver Side Front Wall	1	Passenger Side Rear Wall	1
Driver Side Rear Wall	1	Push-In Rivet	81



DRIVER SIDE FRONT WALL



DRIVER SIDE REAR WALL




PASSENGER SIDE REAR WALL



PUSH-IN RIVET

Assembly Instructions

If Legend's Wheel Well Covers are used, the Wall Liner will lay over the Top Flange of Wheel Well Cover.

Hole Diameter (ϕ) = 0.40" = 

Step 1: Bring the (D1A) Liner into the vehicle and align the holes on the panel with the ones present on the vehicle's body.

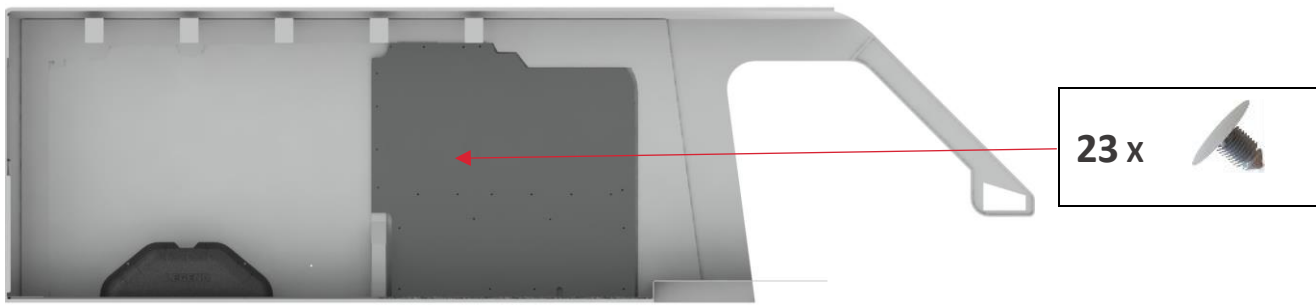


Figure 6

Step 2: Bring the (D2A) Liner into the vehicle and align the holes on the panel with the ones present on the vehicle's body.

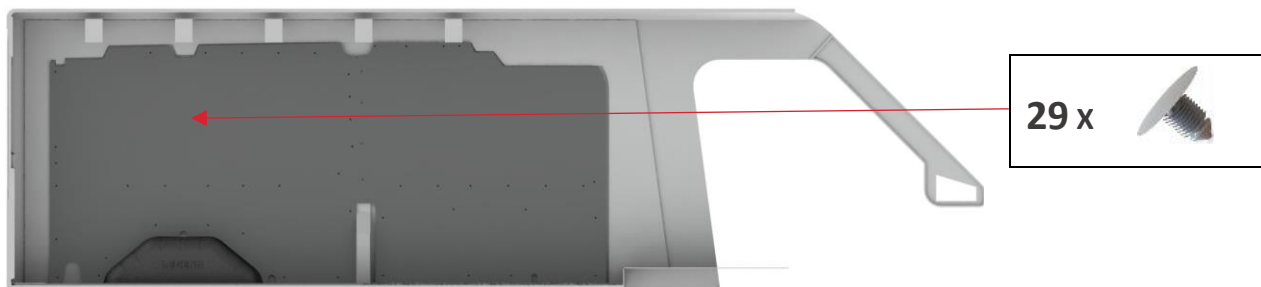


Figure 7

"Driver & Rear Side Front Wall Liner Installed" This is view from Inside of the Van- Viewing from Passenger Side

Step 3: Bring the (P1A) Liner into the vehicle and align the holes on the panel with the ones present on the vehicle's body.

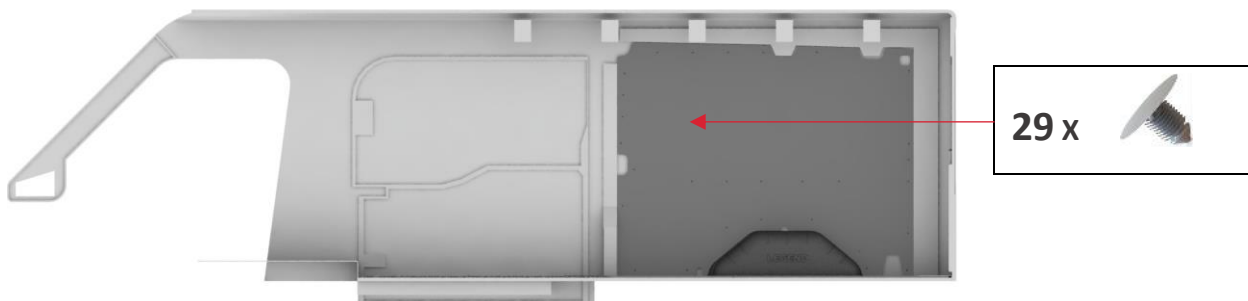


Figure 8

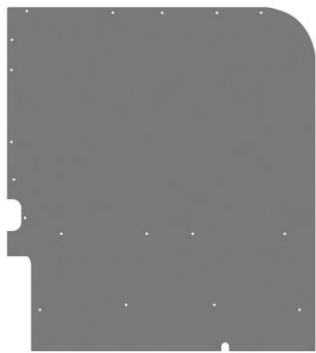
"Passenger Side Wall Liner Installed" This is view from Inside of the Van- Viewing from Driver Side

Step 4: Installation of your Legend Wall Liners is now complete.

Wall Liners - 148" WB - Mid Roof

Parts and Hardware

PARTS LIST	QTY	PARTS LIST	QTY
Driver Side Front Wall	1	Passenger Side Front Wall	1
Driver Side Rear Wall	1	Passenger Side Rear Upper Wall	1
Passenger Side Rear Lower Wall	1	Push-In Rivet	87



DRIVER SIDE FRONT WALL (D1A)



DRIVER SIDE REAR WALL (D2A)



PASSENGER SIDE REAR LOWER WALL (P2A)



PASSENGER SIDE FRONT WALL (P1A)



PASSENGER SIDE REAR UPPER WALL (P2B)



PUSH-IN RIVET

Assembly Instructions

If Legend's Wheel Well Covers are used, the Wall Liner will lay over the Top Flange of Wheel Well Cover.

Hole Diameter (\varnothing) = 0.40" = 

Step 1: Bring the (D1A) Liner into the vehicle and align the holes on the panel with the ones present on the vehicle's body.

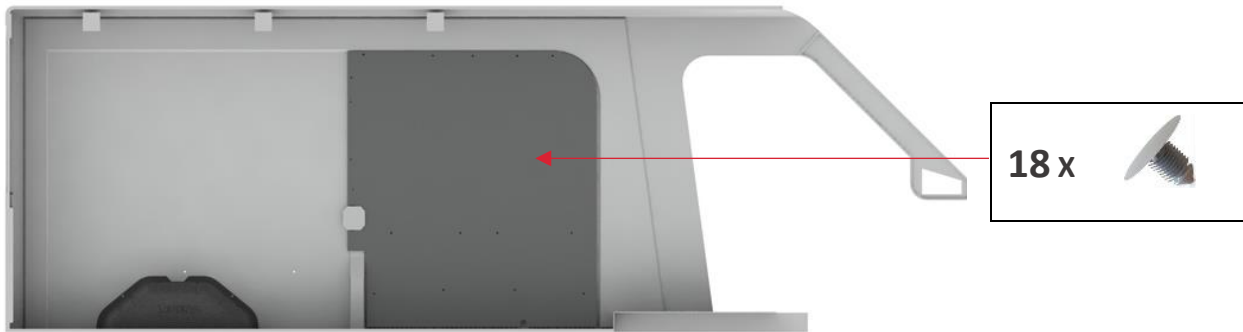


Figure 9

Step 2: Bring the (D2A) Liner into the vehicle and align the holes on the panel with the ones present on the vehicle's body.

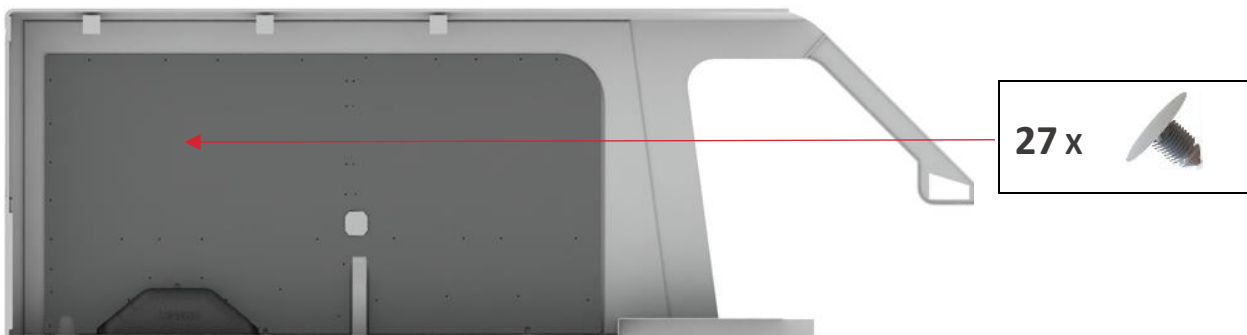


Figure 10

"Driver & Rear Side Front Wall Liner Installed" This is view from Inside of the Van- Viewing from Passenger Side

Step 3: Bring the (P2A) Liner into the vehicle and align the holes on the panel with the ones present on the vehicle's body.

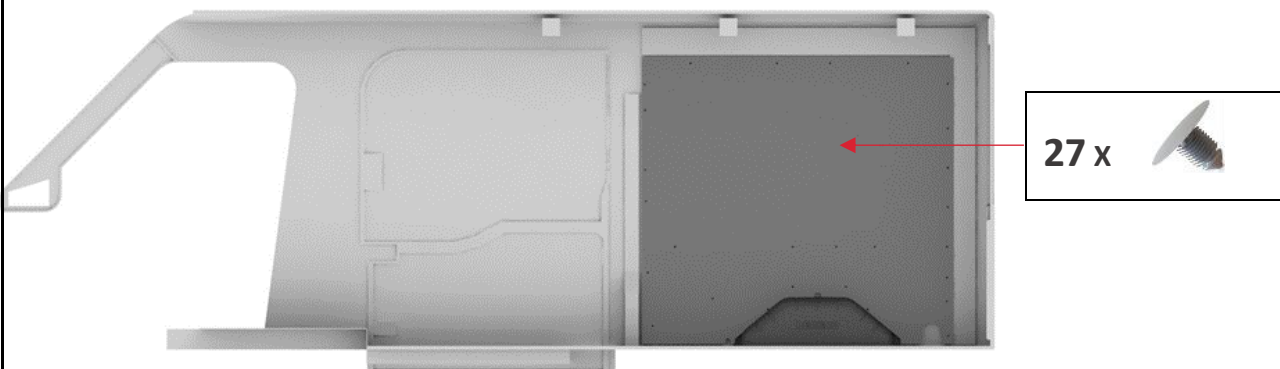


Figure 11

"Passenger Side Rear Lower Liner Installed" This is view from Inside of the Van- Viewing from Driver Side

Step 4: Bring the (P2B) Liner into the vehicle and align the holes on the panel with the ones present on the vehicle's body.

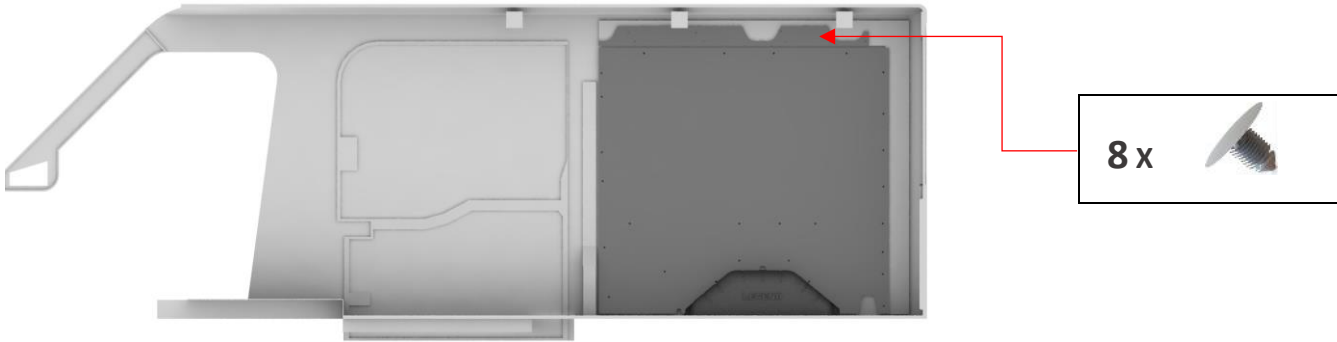


Figure 12

"Passenger Side Rear Upper Liner Installed" This is view from Inside of the Van- Viewing from Driver Side

Step 5: Bring the (P2A) Liner into the vehicle and align the holes on the panel with the ones present on the vehicle's body.

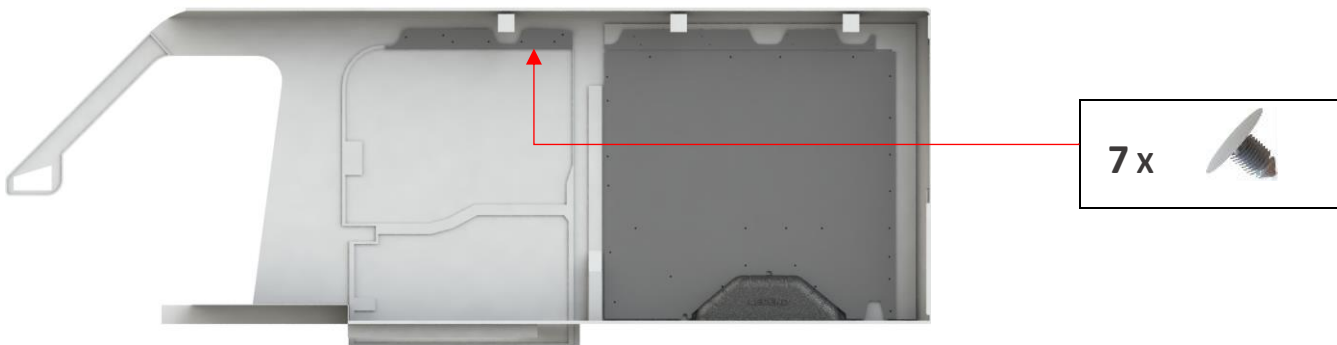


Figure 13

"Passenger Side Front Liner Installed" This is view from Inside of the Van- Viewing from Driver Side

Step 6: Installation of your Legend Wall Liners is now complete.

Wall Liners - 148" WB - High Roof

Parts and Hardware

PARTS LIST	QTY	PARTS LIST	QTY
Driver Side Front Lower Wall	1	Driver Side Front Upper Wall	1
Driver Side Rear Lower Wall	1	Driver Side Rear Upper Wall	1
Passenger Side Rear Wall	1	Push-In Rivet	94
Passenger Side Front Wall	1		



DRIVER SIDE FRONT LOWER WALL (D1A)



DRIVER SIDE REAR LOWER WALL (D2A)



PASSENGER SIDE REAR WALL (P2A)



DRIVER SIDE FRONT UPPER WALL (D1B)



DRIVER SIDE REAR UPPER WALL (D2B)




PASSENGER SIDE FRONT WALL (P1A)



PUSH-IN RIVET

Assembly Instructions

If Legend's Wheel Well Covers are used, the Wall Liner will lay over the Top Flange of Wheel Well Cover.

Hole Diameter (ϕ) = 0.40" = 

Step 1: Bring the (D1A) Liner into the vehicle and align the holes on the panel with the ones present on the vehicle's body.

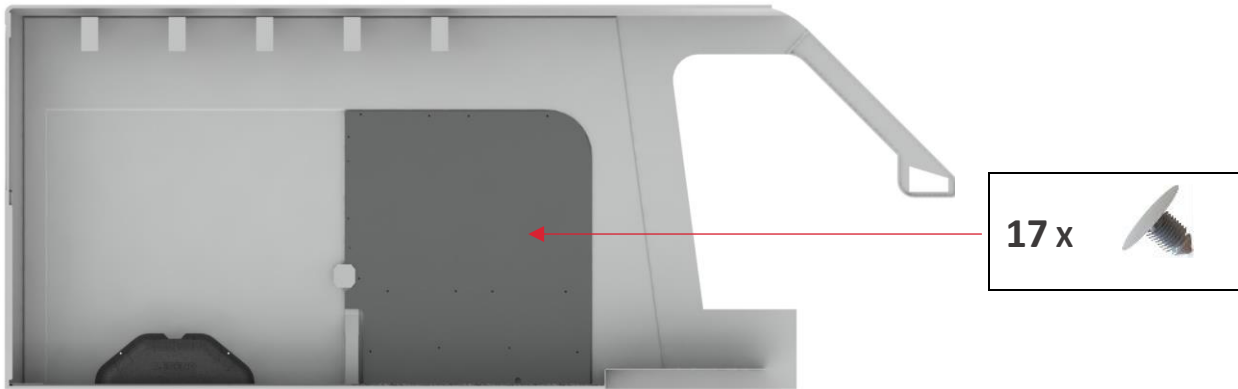


Figure 14

Step 2: Bring the (D2A) Liner into the vehicle and align the holes on the panel with the ones present on the vehicle's body.

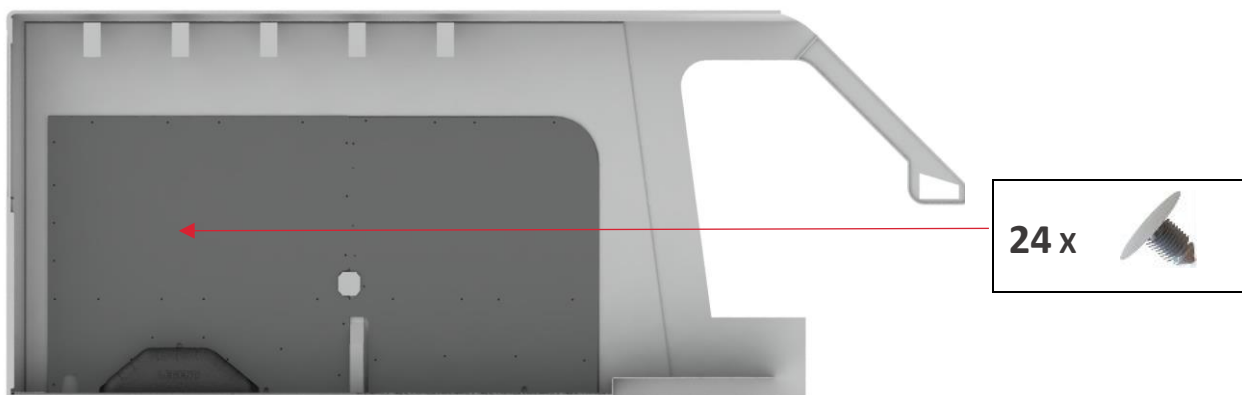


Figure 15

"Driver & Rear Side Front Wall Liner Installed" This is view from Inside of the Van- Viewing from Passenger Side

Step 3: Bring the (P2A) Liner into the vehicle and align the holes on the panel with the ones present on the vehicle's body.

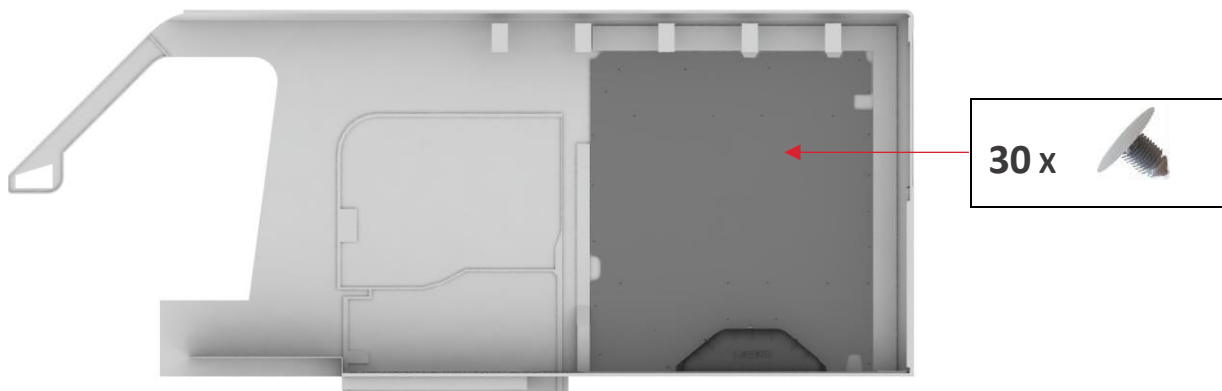


Figure 16

"Passenger Side Rear Lower Liner Installed" This is view from Inside of the Van- Viewing from Driver Side

Step 4: Bring the (P1A) Liner into the vehicle and align the holes on the panel with the ones present on the vehicle's body.

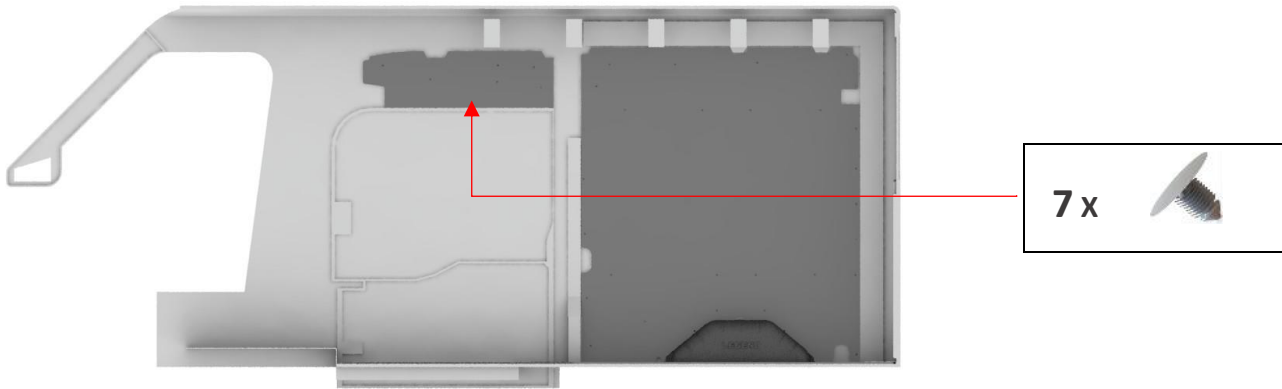


Figure 17

"Passenger Side Front Upper Liner Installed" This is view from Inside of the Van- Viewing from Driver Side

Step 5: Bring the (D1B) Liner into the vehicle and align the holes on the panel with the ones present on the vehicle's body.

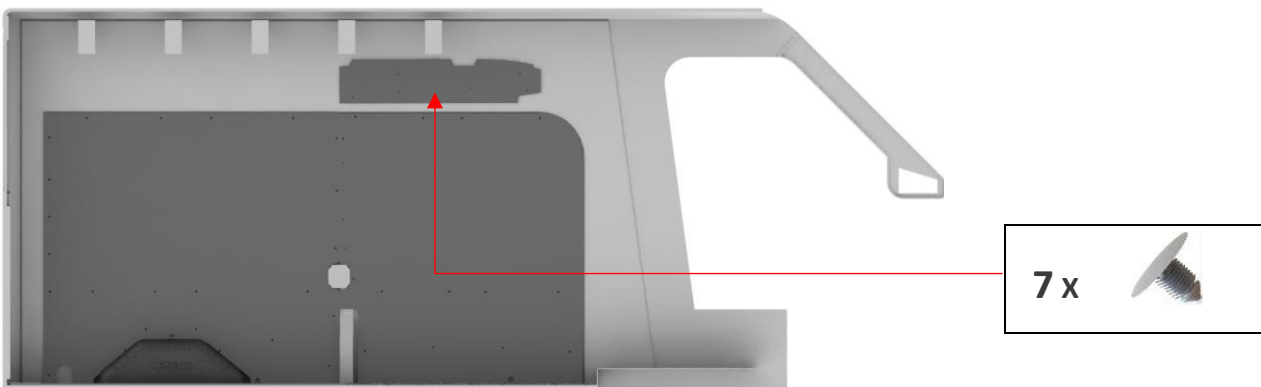


Figure 18

"Passenger Side Front Liner Installed" This is view from Inside of the Van- Viewing from Passenger Side

Step 6: Bring the (D2B) Liner into the vehicle and align the holes on the panel with the ones present on the vehicle's body.

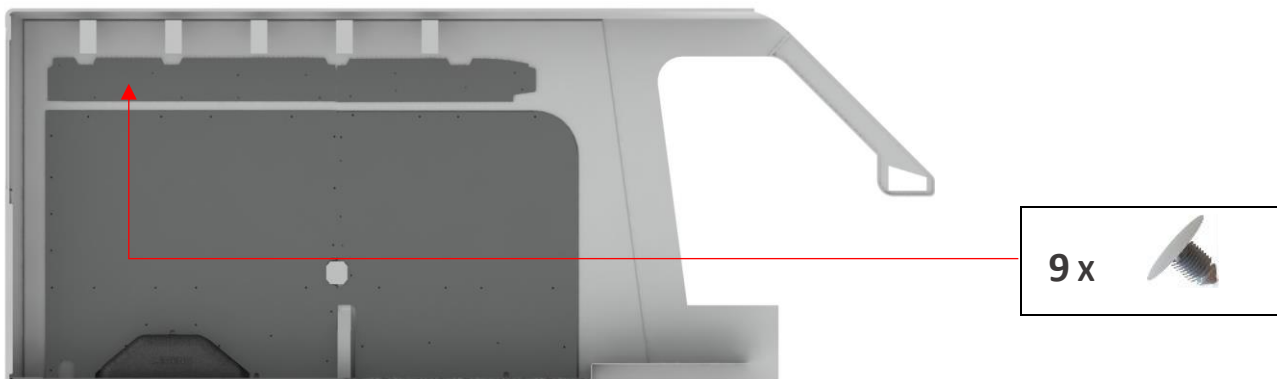


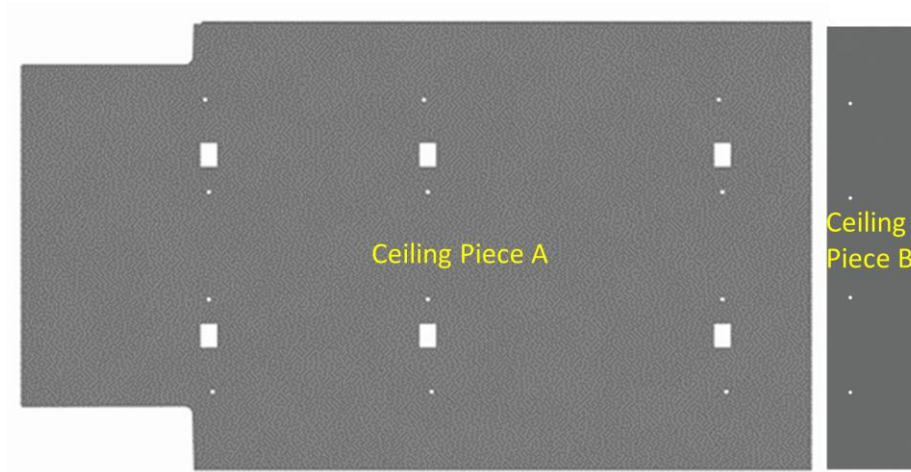
Figure 19

Step 7: Installation of your Legend Wall Liners is now complete.

Ceiling Liners - 148" WB - Low Roof

Parts and Hardware

PARTS LIST	QTY
Ceiling Pieces	1 Each
Ceiling Joiner Strip	1
Push-In Rivet	16



CEILING PIECES



CEILING JOINER STRIP



PUSH-IN RIVET

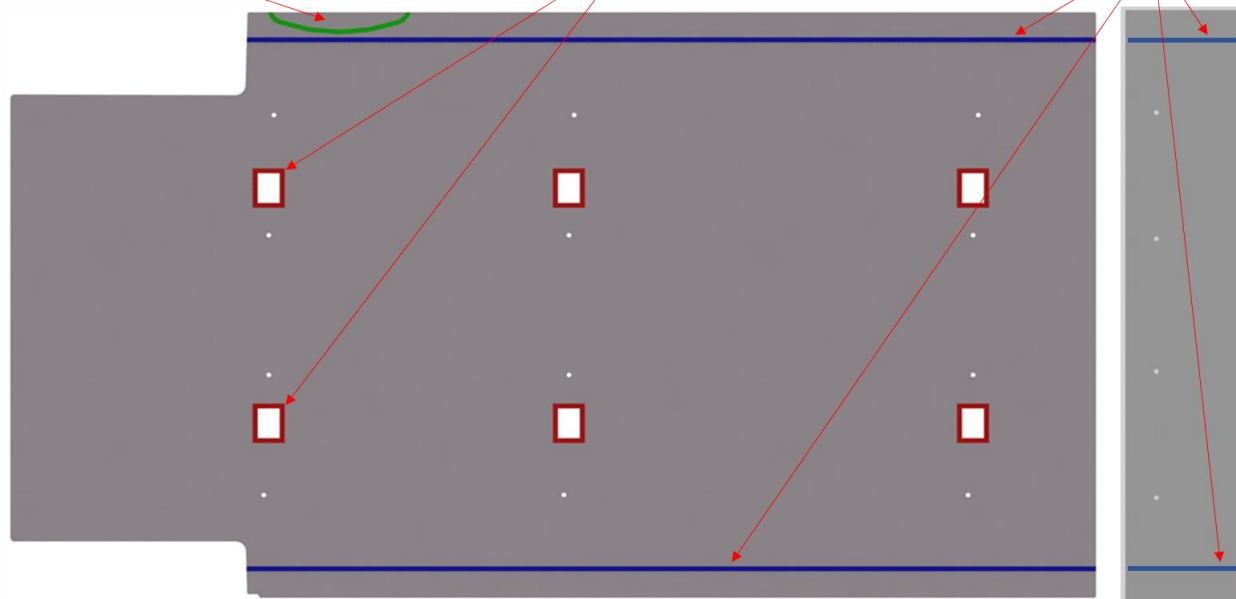
Assembly Instructions

Follow the below instructions for score lines on Rear surface of Ceiling Panel

Cut along this score line (Shown in Green) if Foam Blocks are present behind headliner

Cut along this score line (Shown in Red) to fit around the OEM Lights

Bend the Panel along this score line (Shown in Blue) to allow the ceiling to arch along the cross beam



Step 1: Install Ceiling Panel, as shown below. Ceiling liner.

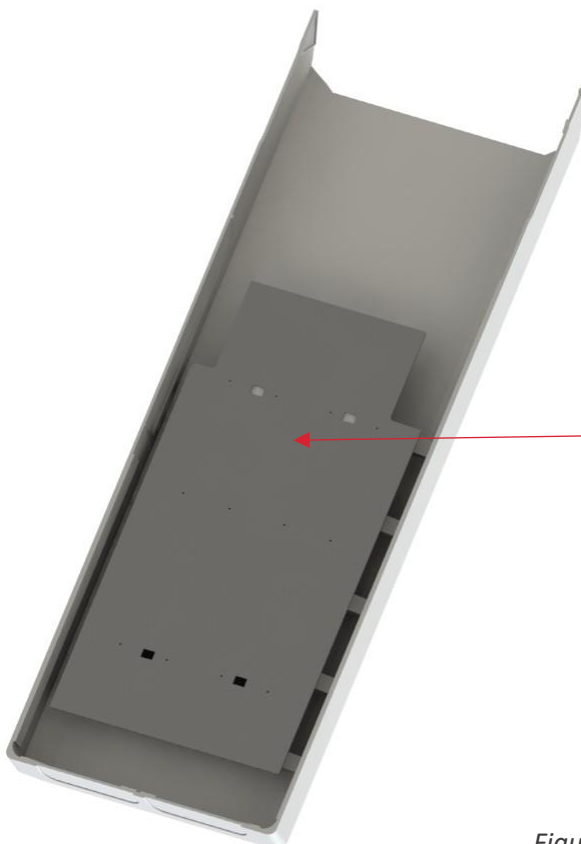


Figure 20

"Positioning and Fixing of the Ceiling Panel A" This View is from Inside of the Van

Step 2: Install the Ceiling Joiner strip at the edge of the Front Ceiling panel

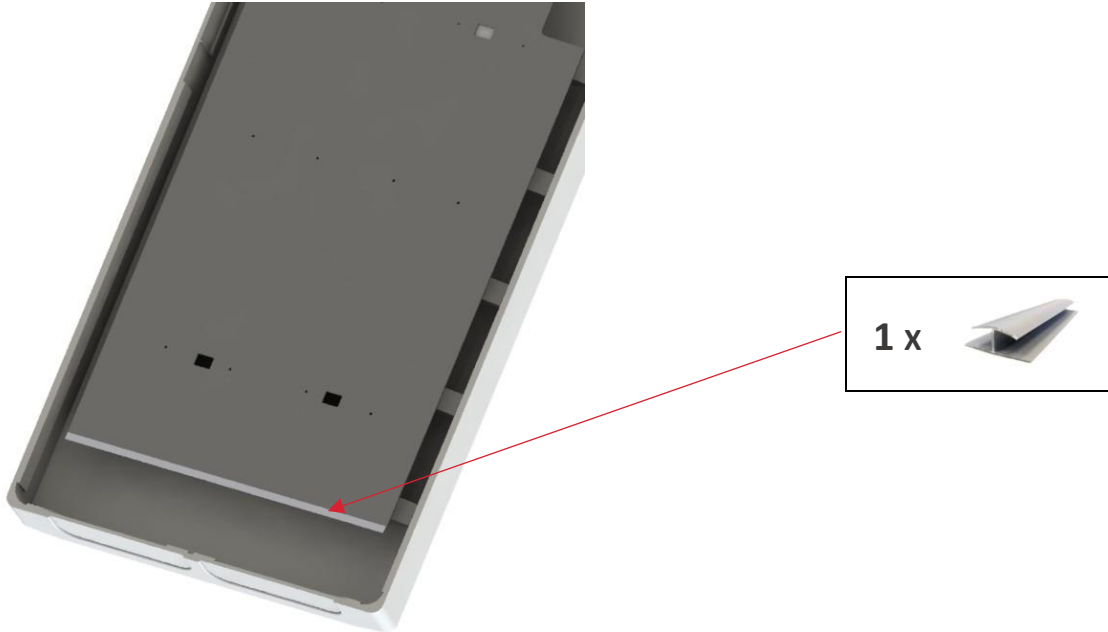


Figure 21

“Positioning and Fixing of the Ceiling Liner Strip” This View is from Inside of the Van

Step 3: Install Ceiling Piece B, as shown below. Ceiling liner.

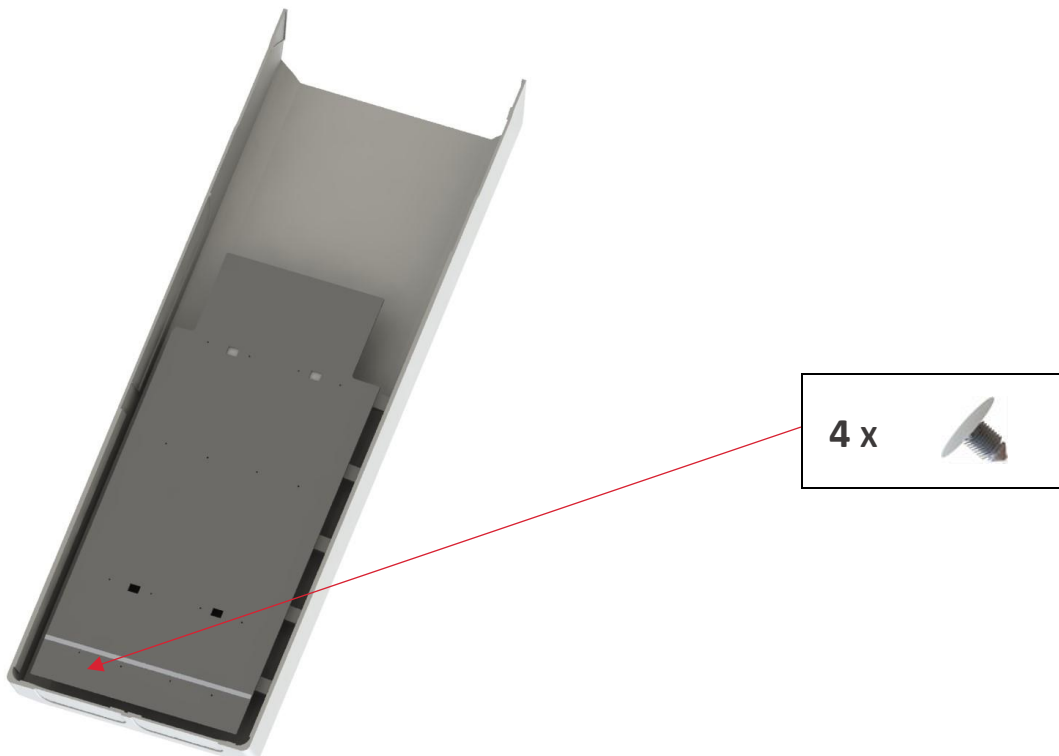


Figure 22

“Positioning and Fixing of the Ceiling Panel B” This View is from Inside of the Van

Step 4: This completes the installation of your Legend Ceiling Liner.

Ceiling Liners - 148" WB - Mid Roof

Parts and Hardware

PARTS LIST	QTY
Ceiling Pieces	1 Each
Ceiling Joiner Strip	1
Push-In Rivet	16



CEILING PIECES

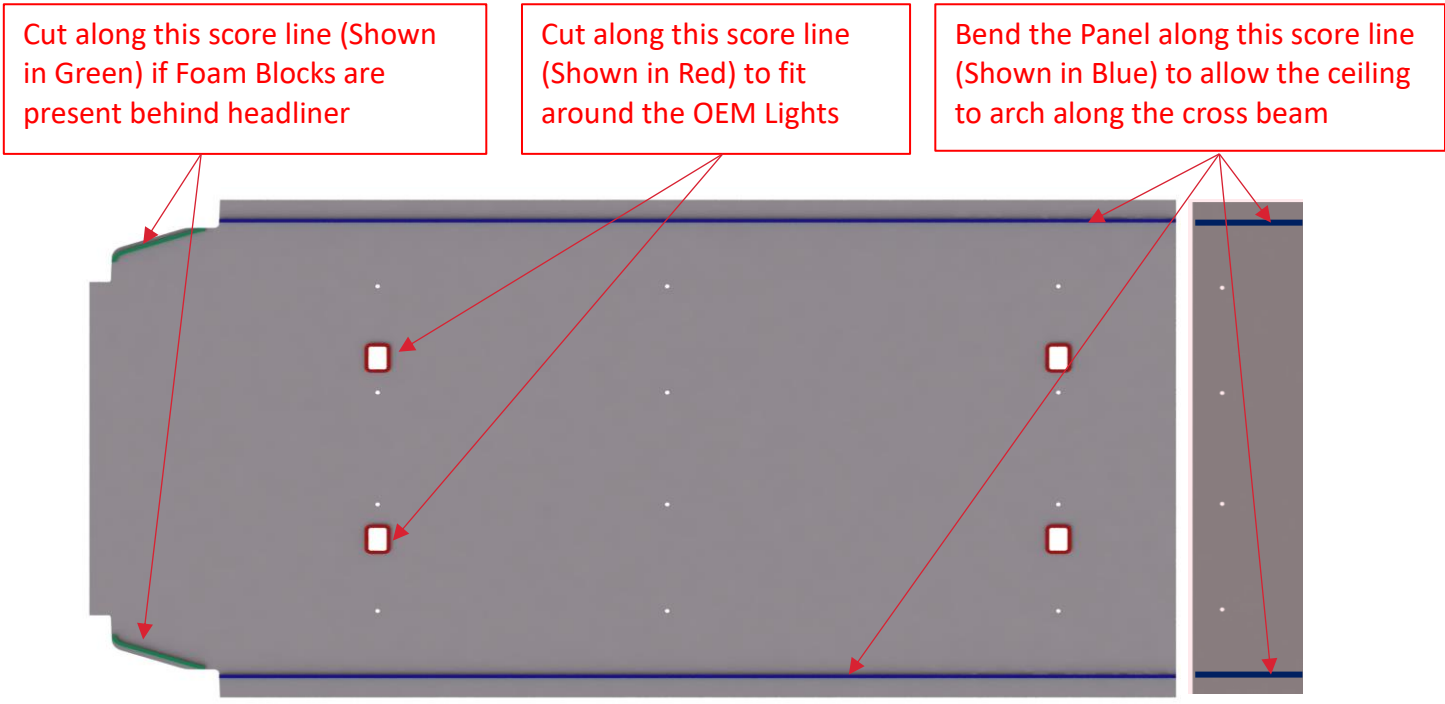
CEILING JOINER STRIP



PUSH-IN RIVET

Assembly Instructions

Follow the below instructions for score lines on Rear surface of Ceiling Panel



Step 1: Install Ceiling Piece A, as shown below. Ceiling liner.

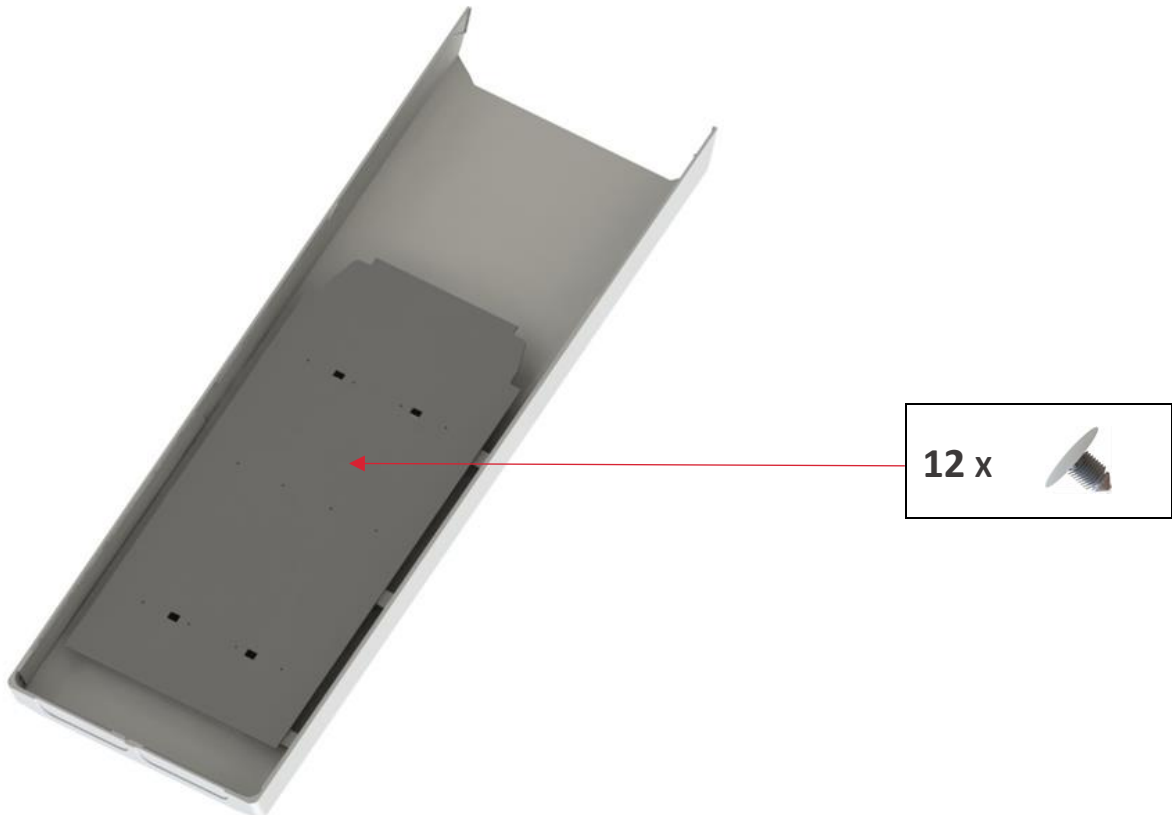


Figure 23

"Positioning and Fixing of the Ceiling Panel A" This View is from Inside of the Van

Step 2: Install the Ceiling Joiner strip at the edge of the Front Ceiling panel

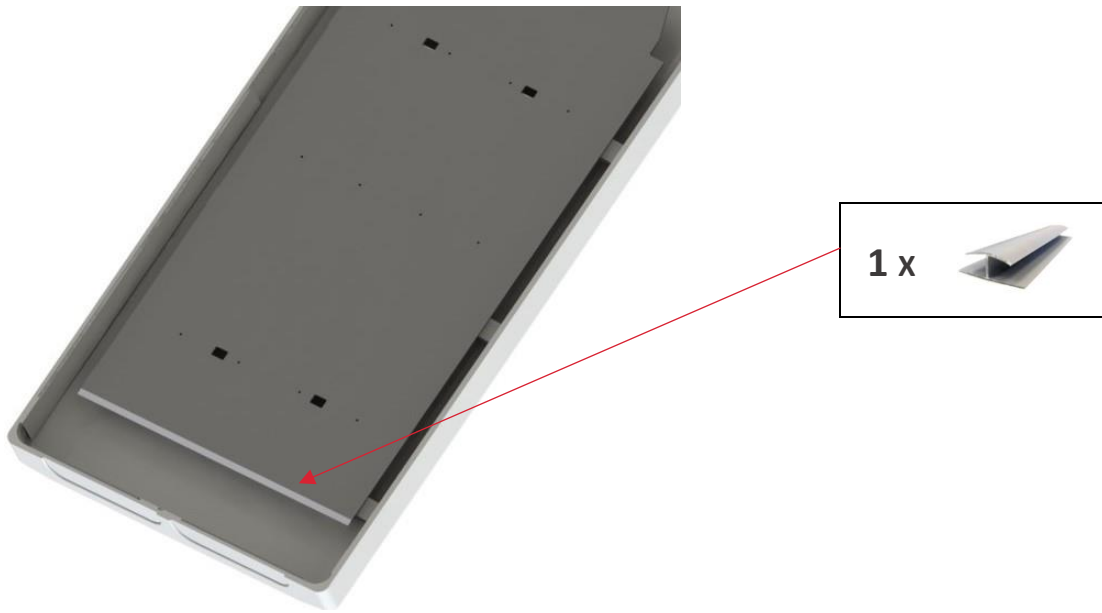


Figure 24

“Positioning and Fixing of the Ceiling Liner Strip” This View is from Inside of the Van

Step 3: Install Ceiling Piece B, as shown below. Ceiling liner.

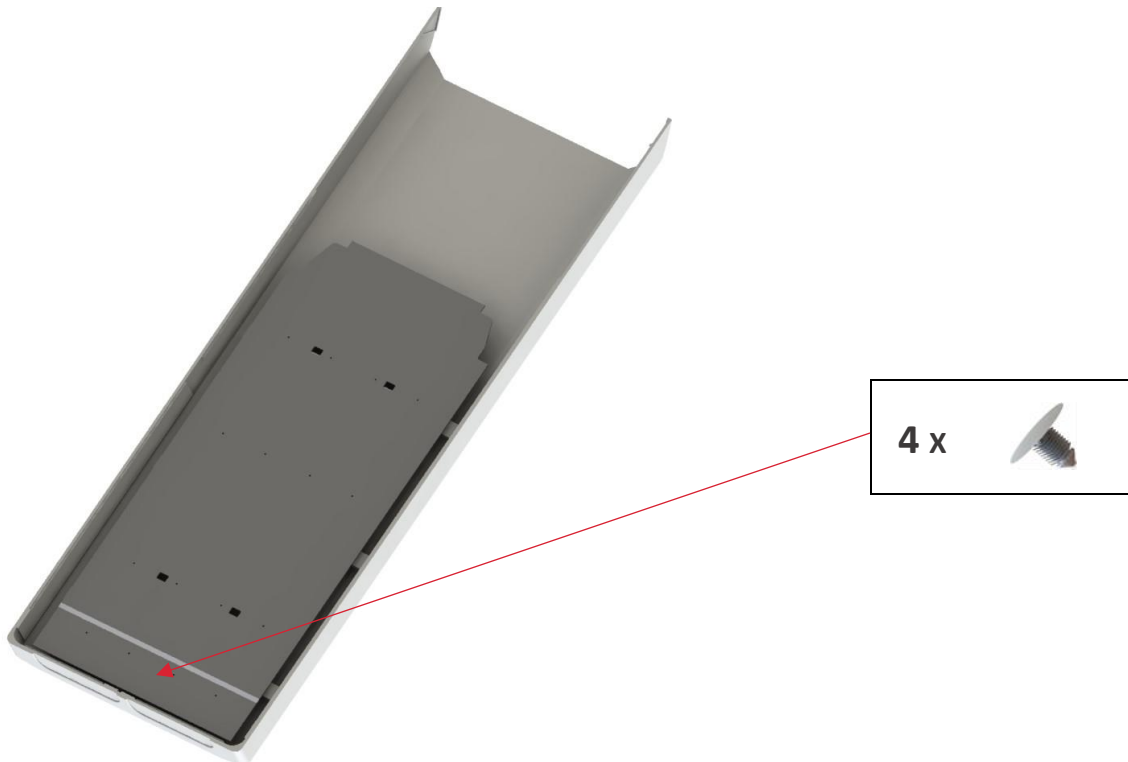


Figure 25

“Positioning and Fixing of the Ceiling Panel B” This View is from Inside of the Van

Step 4: This completes the installation of your Legend Ceiling Liner.

Ceiling Liners - 148" WB - High Roof

Parts and Hardware

PARTS LIST	QTY
Ceiling Pieces	1 Each
Ceiling Joiner Strip	1
Push-In Rivet	16



CEILING PIECES

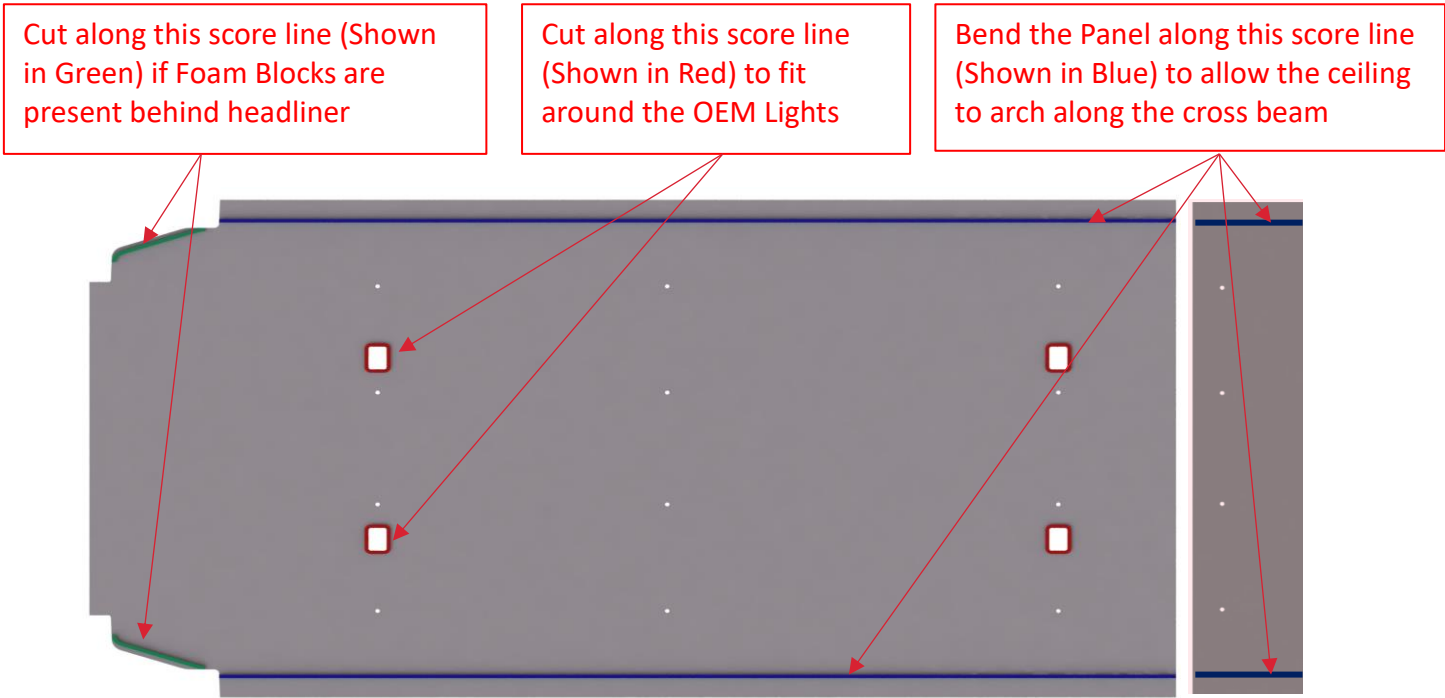
CEILING JOINER STRIP



PUSH-IN RIVET

Assembly Instructions

Follow the below instructions for score lines on Rear surface of Ceiling Panel



Step 1: Install Ceiling Piece A, as shown below. Ceiling liner.

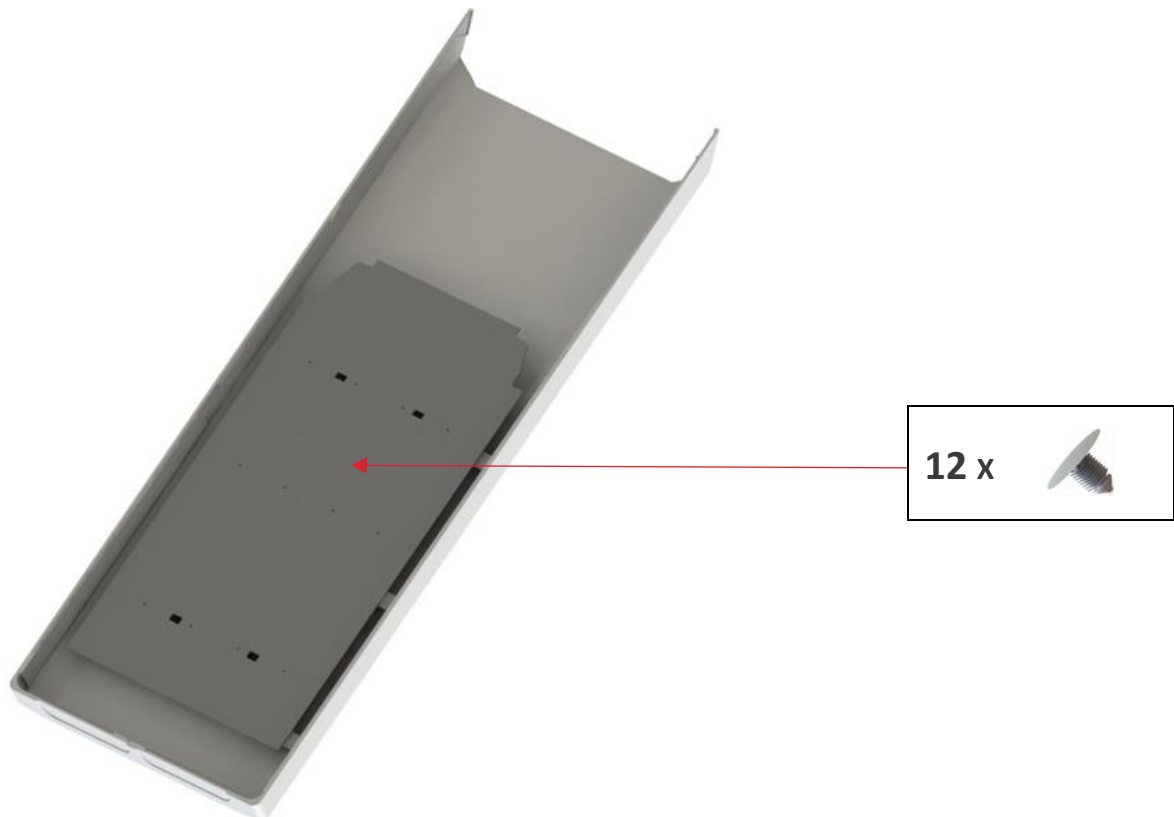


Figure 26

"Positioning and Fixing of the Ceiling Panel A" This View is from Inside of the Van

Step 2: Install the Ceiling Joiner strip at the edge of the Front Ceiling panel

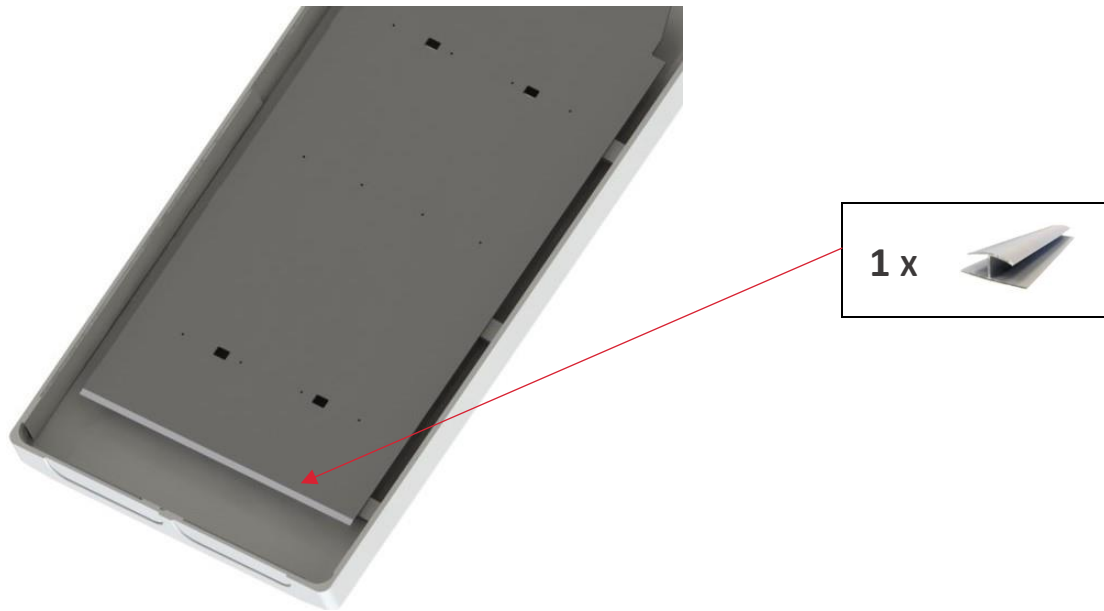


Figure 27

“Positioning and Fixing of the Ceiling Liner Strip” This View is from Inside of the Van

Step 3: Install Ceiling Piece B, as shown below. Ceiling liner.

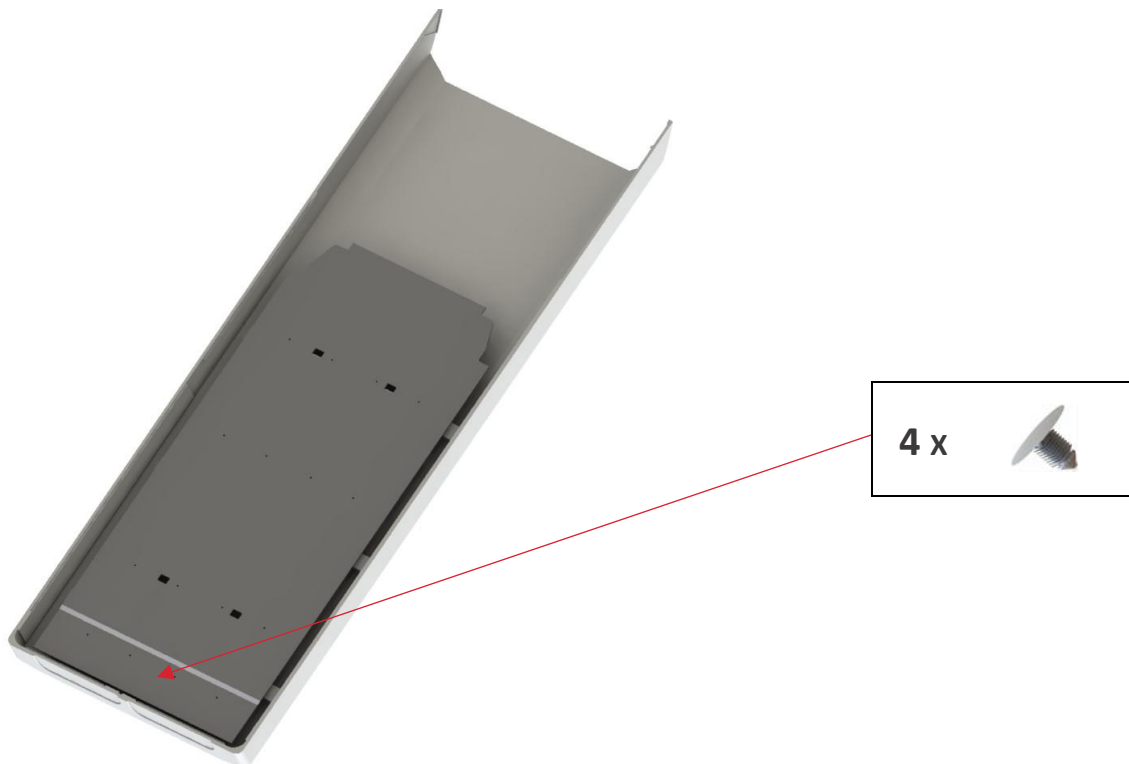


Figure 28

“Positioning and Fixing of the Ceiling Panel B” This View is from Inside of the Van

Step 4: This completes the installation of your Legend Ceiling Liner.

Top Sills - 148" WB - Low Roof

Parts and Hardware

PARTS LIST	QTY	PARTS LIST	QTY
Two Piece Driver Side Sill	1 Each	Top Sill Joiner	2
Two Piece Passenger Side Sill	1 Each	Pan - Head Screw	36



Sill C



Sill B



Sill D



Sill A

TWO PIECE DRIVER SIDE SILL

TWO PIECE PASSENGER SIDE SILL



TOP SILL JOINER



PAN-HEAD SCREW

Assembly Instructions

Assembly of the Top Sills is to be done outside of the Van before installing it in the Van.

Step 1: Assemble Driver Side sill – C, D, as shown below.

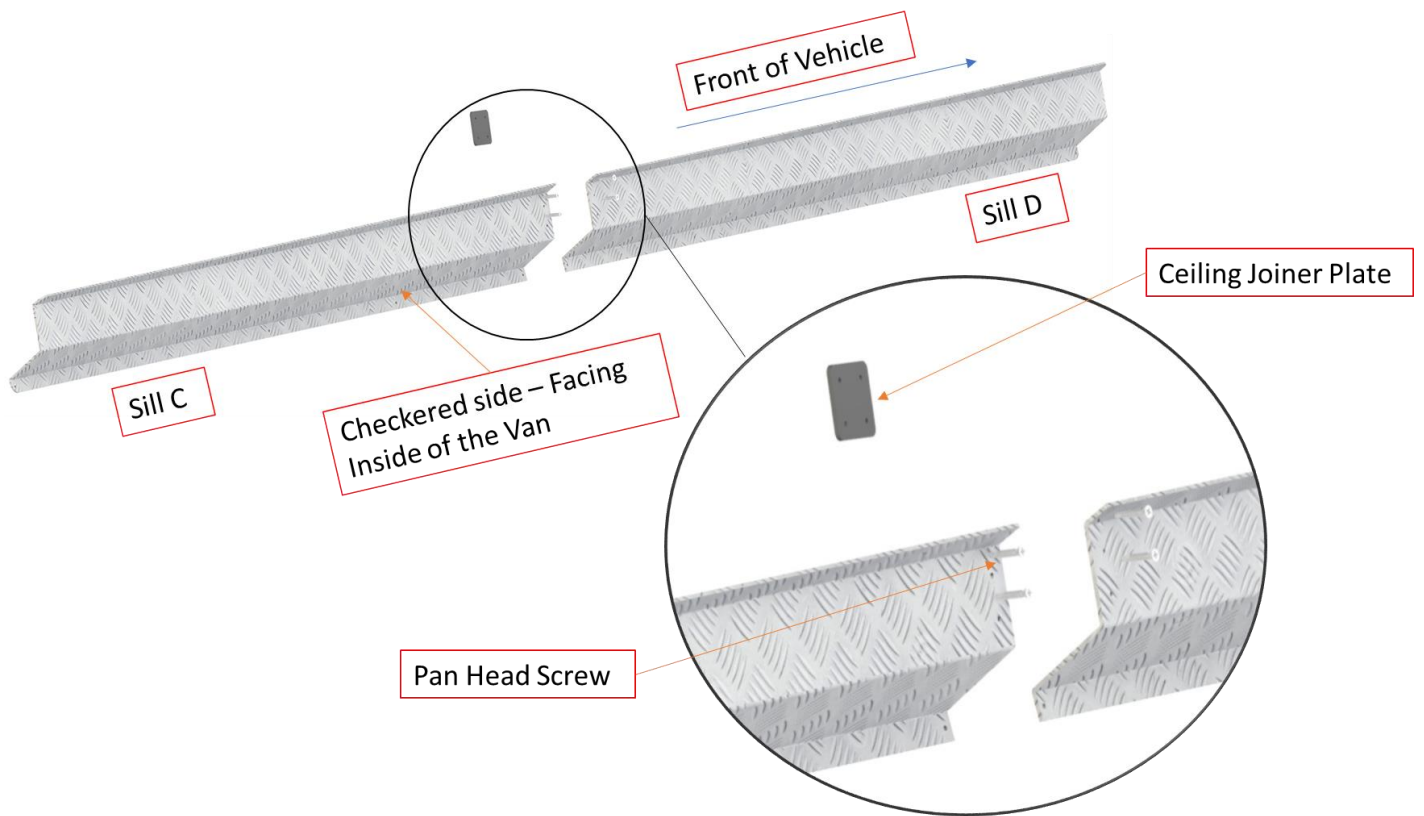


Figure 29

Step 2: Fasten assembled sills in the Van.

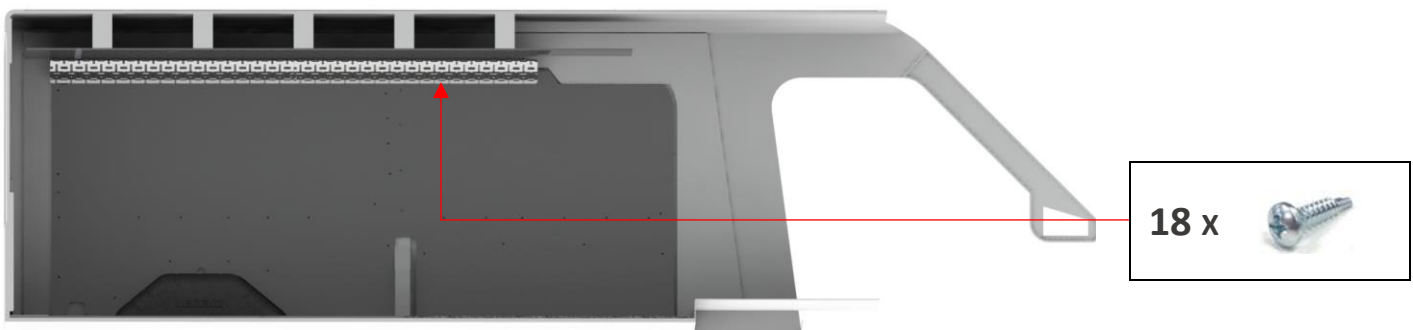


Figure 30
"Driver side Top Sills installed"

Step 3: Assemble Passenger Side Sill – A, B, as shown below.

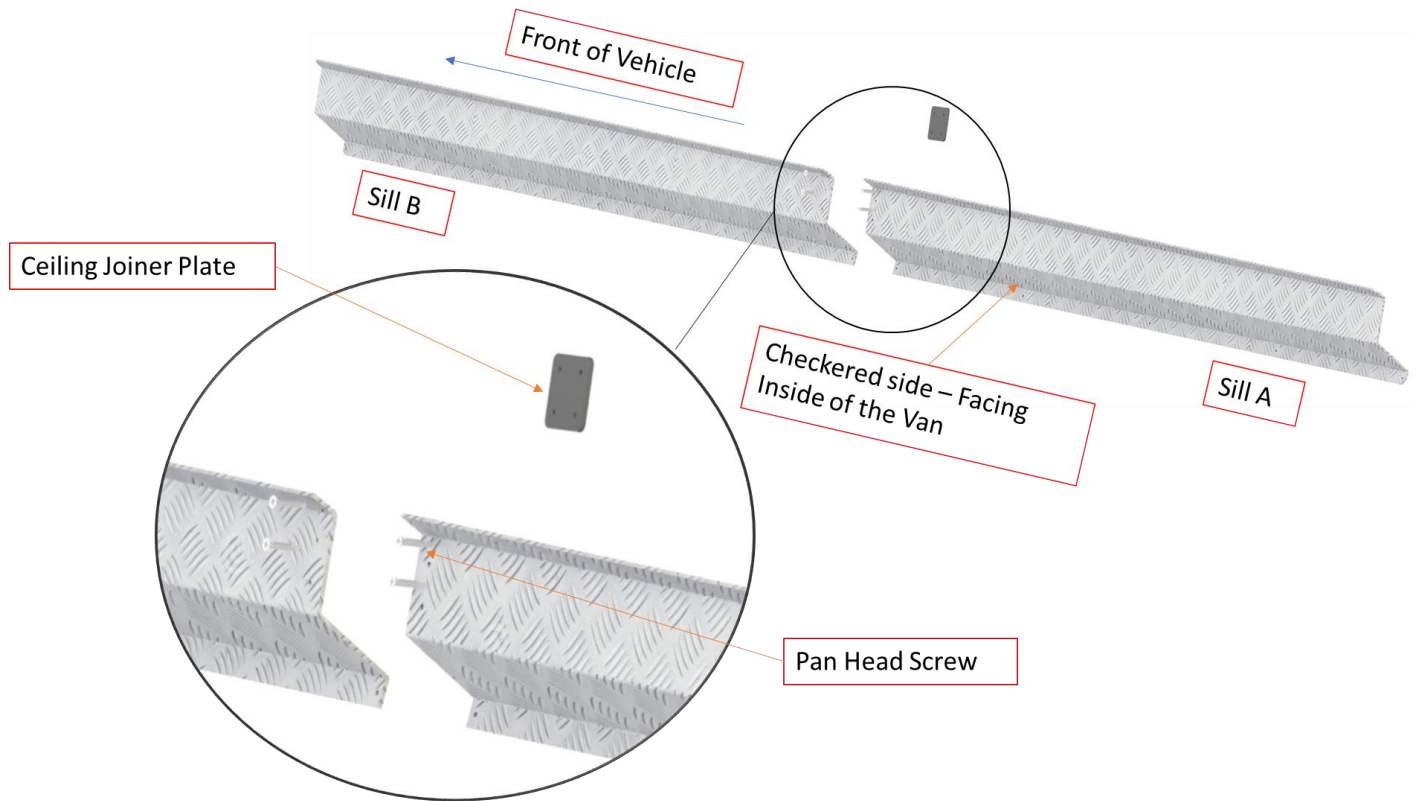


Figure 31

Step 4: Fasten assembled sills in the Van.

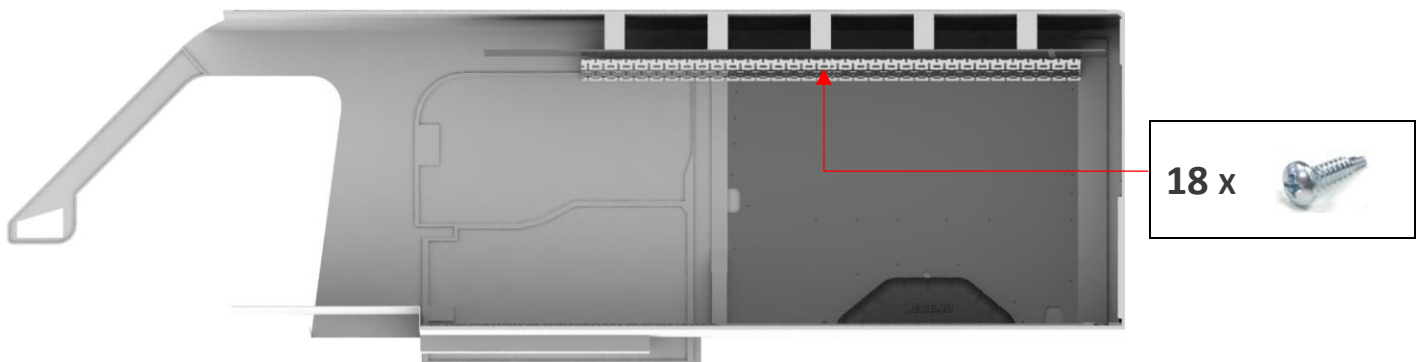


Figure 32
 "Passenger side Top Sills installed"

Top Sills - 148" WB - Mid Roof

Parts and Hardware

PARTS LIST	QTY	PARTS LIST	QTY
Two Piece Driver Side Sill	1 Each	Top Sill Joiner	2
Two Piece Passenger Side Sill	1 Each	Pan - Head Screw	36



Sill C



Sill B



Sill D



Sill A

TWO PIECE DRIVER SIDE SILL

TWO PIECE PASSENGER SIDE SILL



TOP SILL JOINER



PAN-HEAD SCREW

Assembly Instructions

Assembly of the Top Sills is to be done outside of the Van before installing it in the Van.

Step 1: Assemble Driver Side sill – C, D, as shown below.

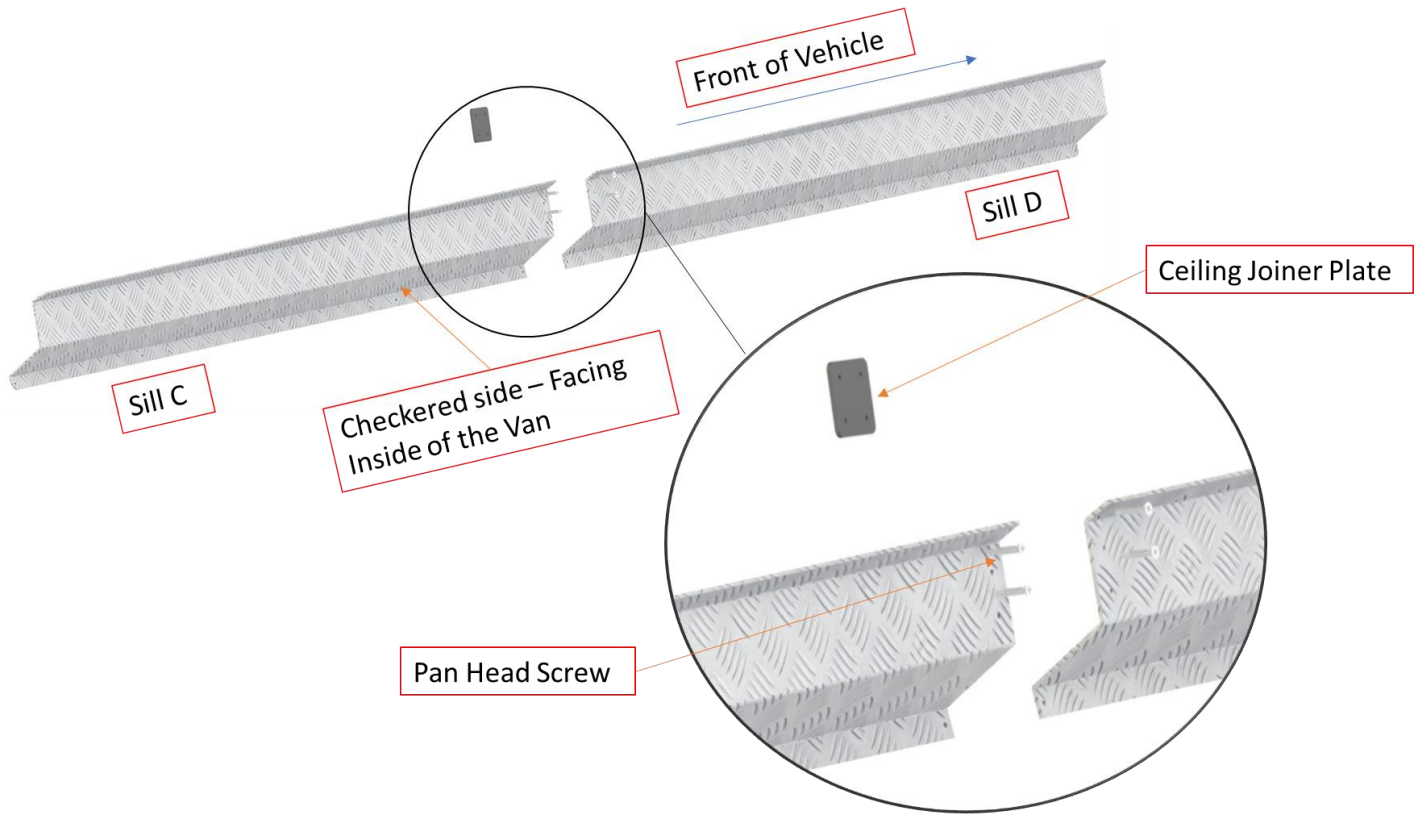


Figure 33

Step 2: Fasten assembled sills in the Van.

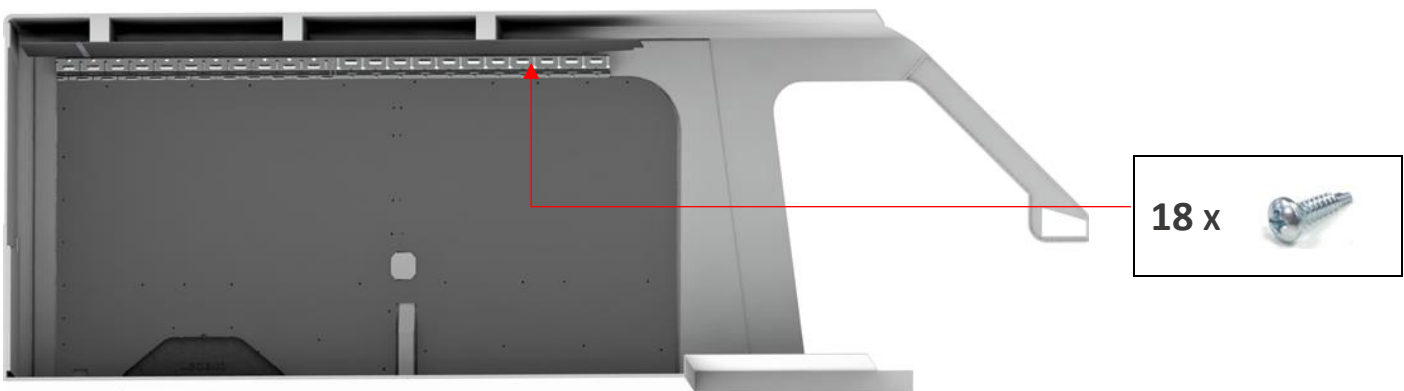


Figure 34
"Driver side Top Sills installed"

Step 3: Assemble Passenger Side Sill – A, B, as shown below.

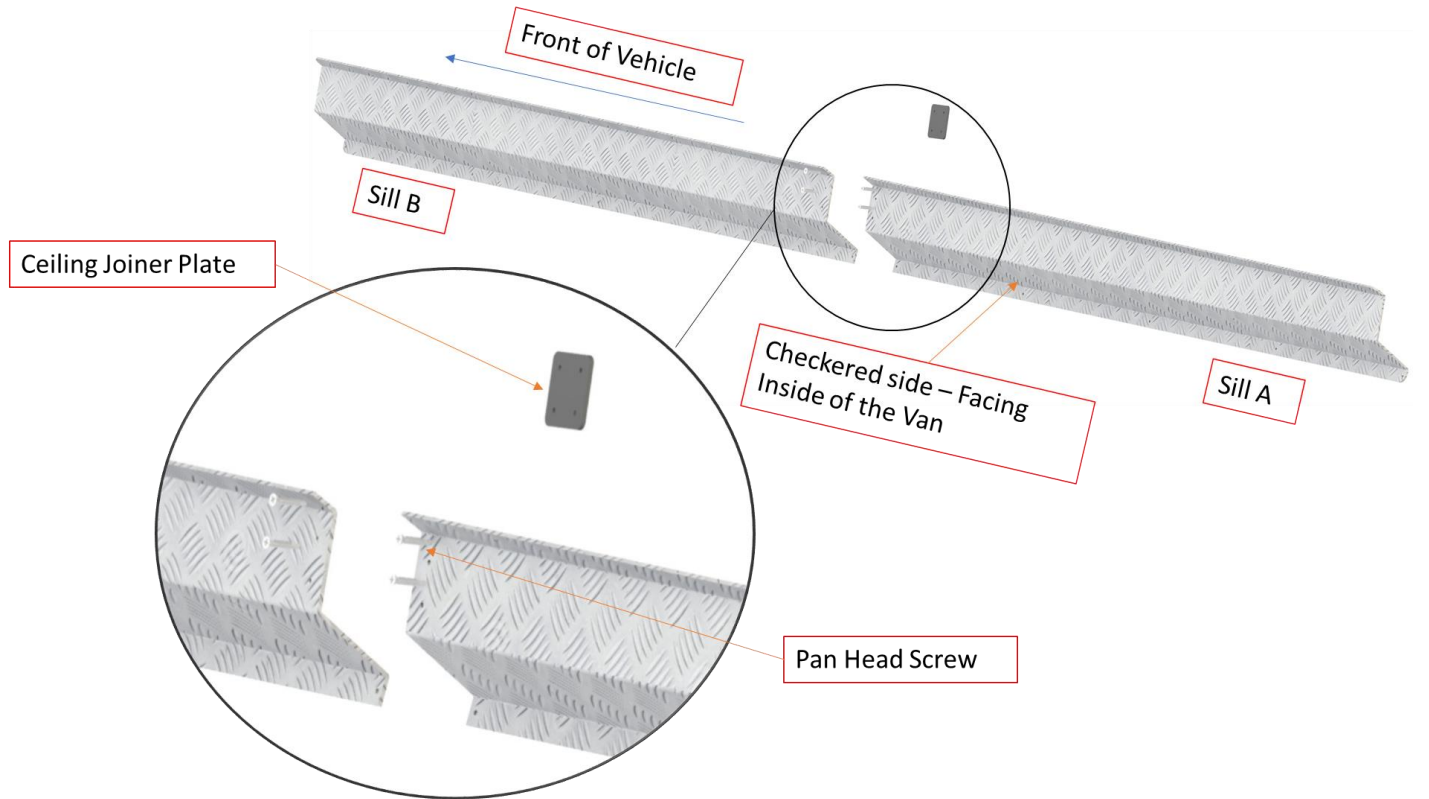


Figure 35

Step 4: Fasten assembled sills in the Van.

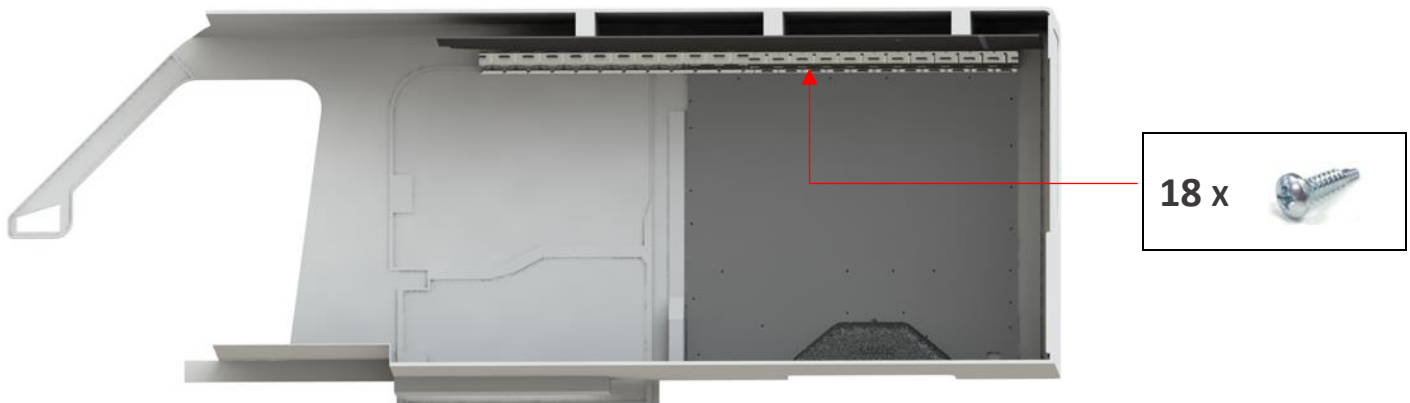


Figure 36
 "Passenger side Top Sills installed"

Top Sills - 148" WB - High Roof

Parts and Hardware

PARTS LIST	QTY	PARTS LIST	QTY
Two Piece Driver Side Sill	1 Each	Top Sill Joiner	2
Two Piece Passenger Side Sill	1 Each	Pan - Head Screw	36



Sill C



Sill B



Sill D



Sill A

TWO PIECE DRIVER SIDE SILL

TWO PIECE PASSENGER SIDE SILL



TOP SILL JOINER



PAN-HEAD SCREW

Assembly Instructions

Assembly of the Top Sills is to be done outside of the Van before installing it in the Van.

Step 1: Assemble Driver Side sill – C, D, as shown below.

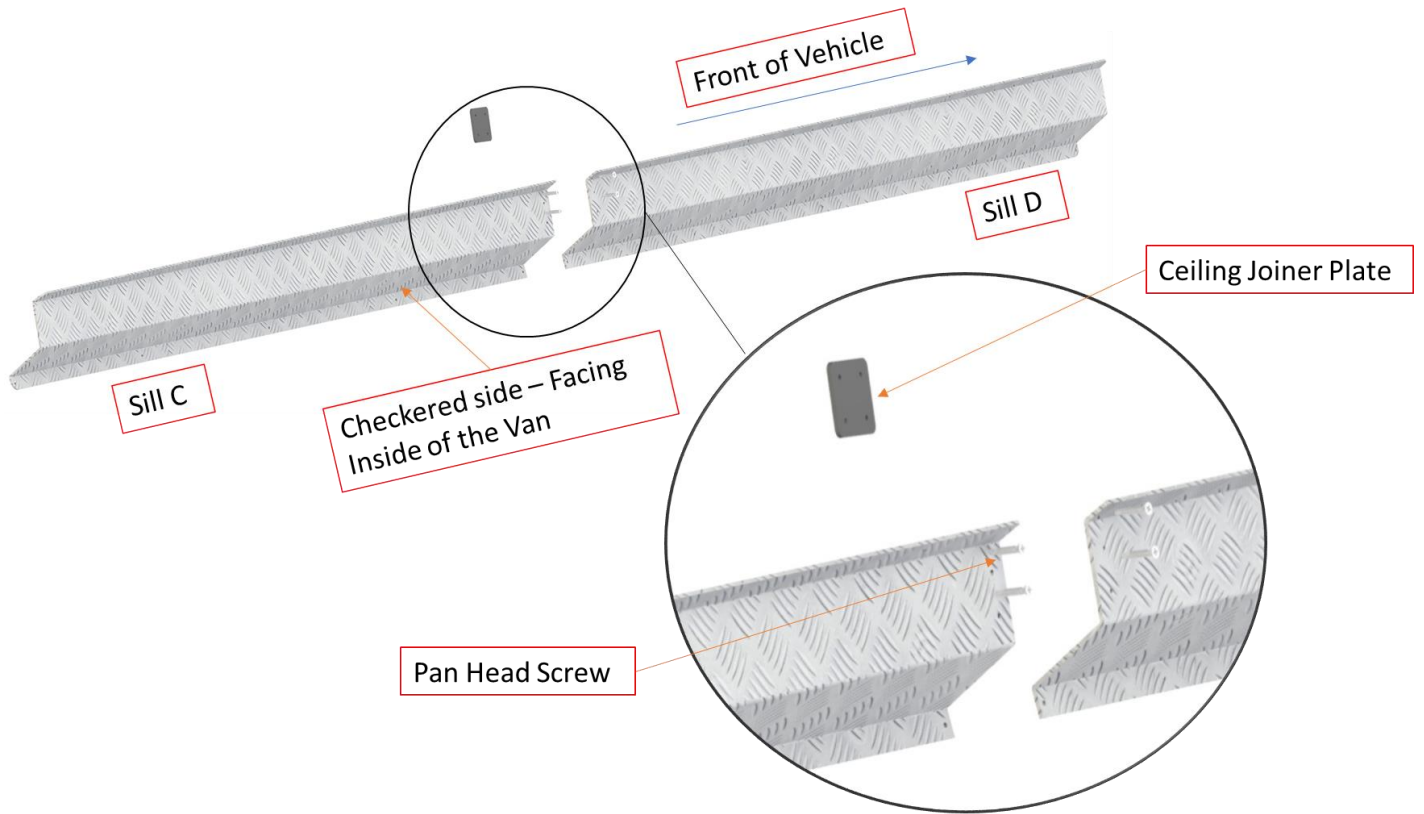


Figure 37

Step 2: Fasten assembled sills in the Van.

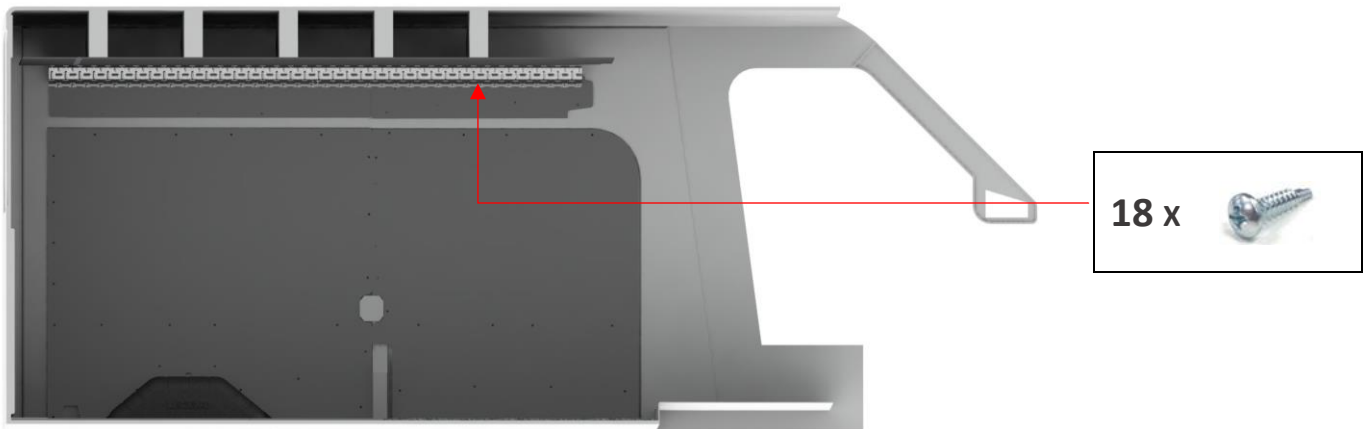


Figure 38
"Driver side Top Sills installed"

Step 3: Assemble Passenger Side Sill – A, B, as shown below.

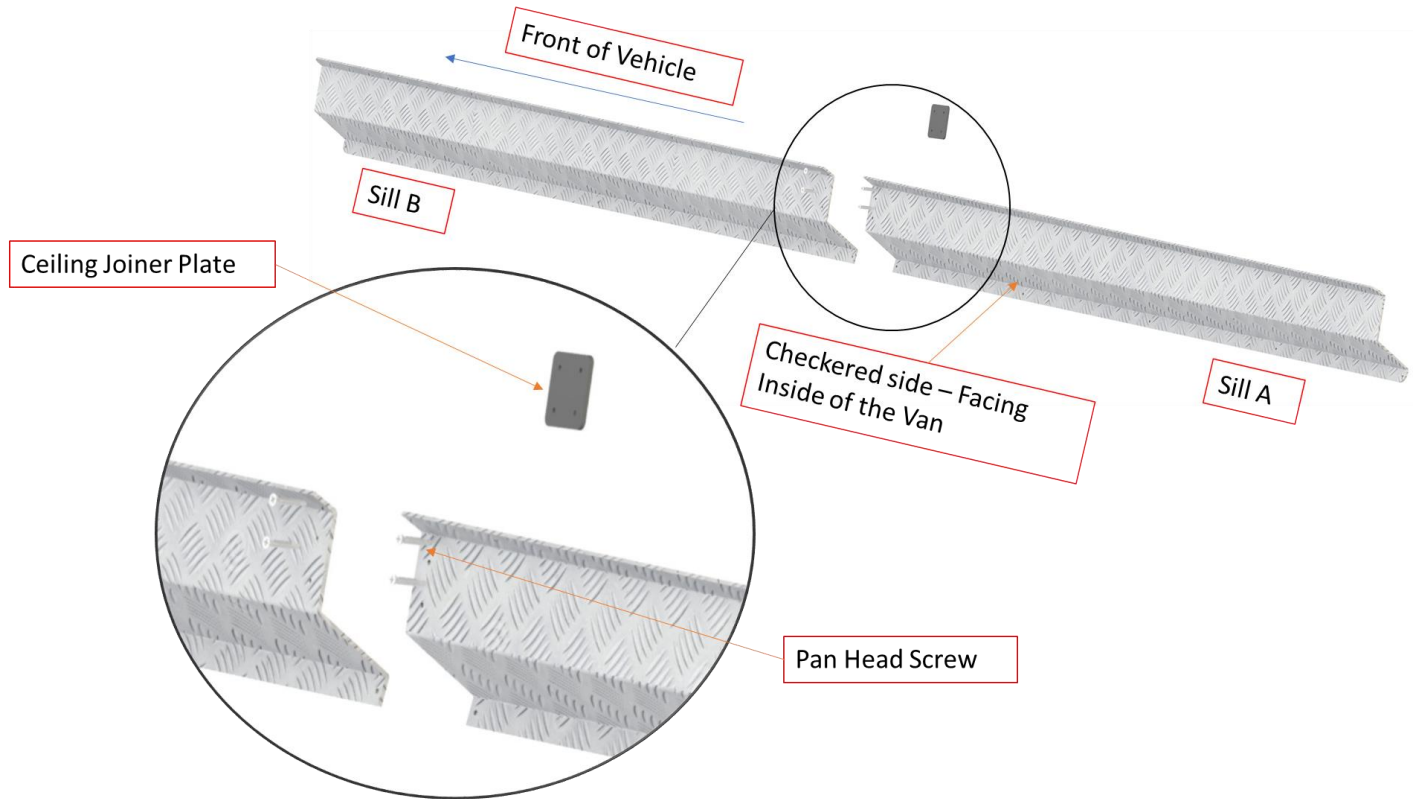


Figure 39

Step 4: Fasten assembled sills in the Van.

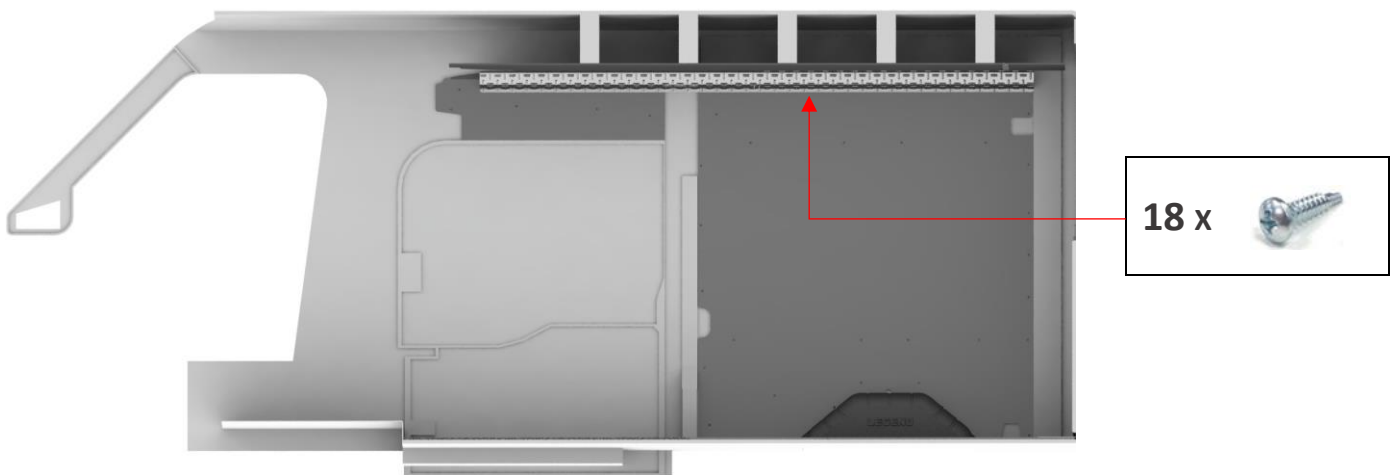
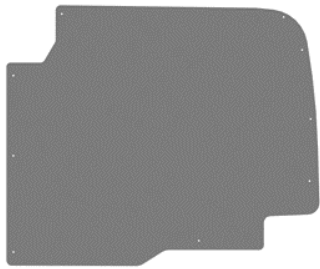


Figure 40
"Passenger side Top Sills installed"

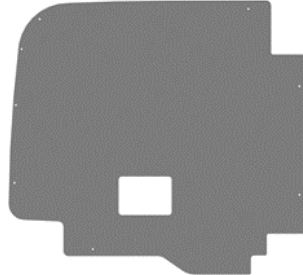
Door Liners - 148" WB - Low Roof

Parts and Hardware

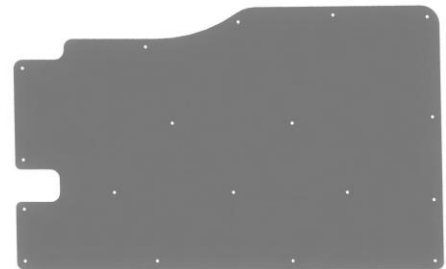
PARTS LIST	QTY	PARTS LIST	QTY
Driver Side Rear Door Liner	1	Push-In Rivet	18
Passenger Side Rear Door Liner	1	Screw Cap	26
Passenger Side Sliding Door Liner 1 - 2	1 Each	Self-Drilling Screw	26



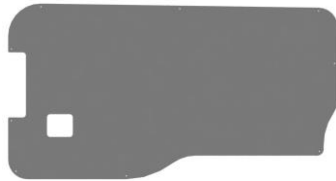
DRIVER SIDE REAR DOOR LINER



PASSENGER SIDE REAR DOOR LINER



PASSENGER SIDE SLIDING DOOR LINER 1



PASSENGER SIDE SLIDING DOOR LINER 2



SCREW CAP




SELF- DRILLING SCREW




PUSH-IN RIVET

Assembly Instructions

Van Doors MUST be in close Position When Installing Door Liners.

Hole Diameter (Ø) = 0.40" = 

Hole Diameter (Ø) = 0.20" = 

Step 1: Rear Door Assembly.

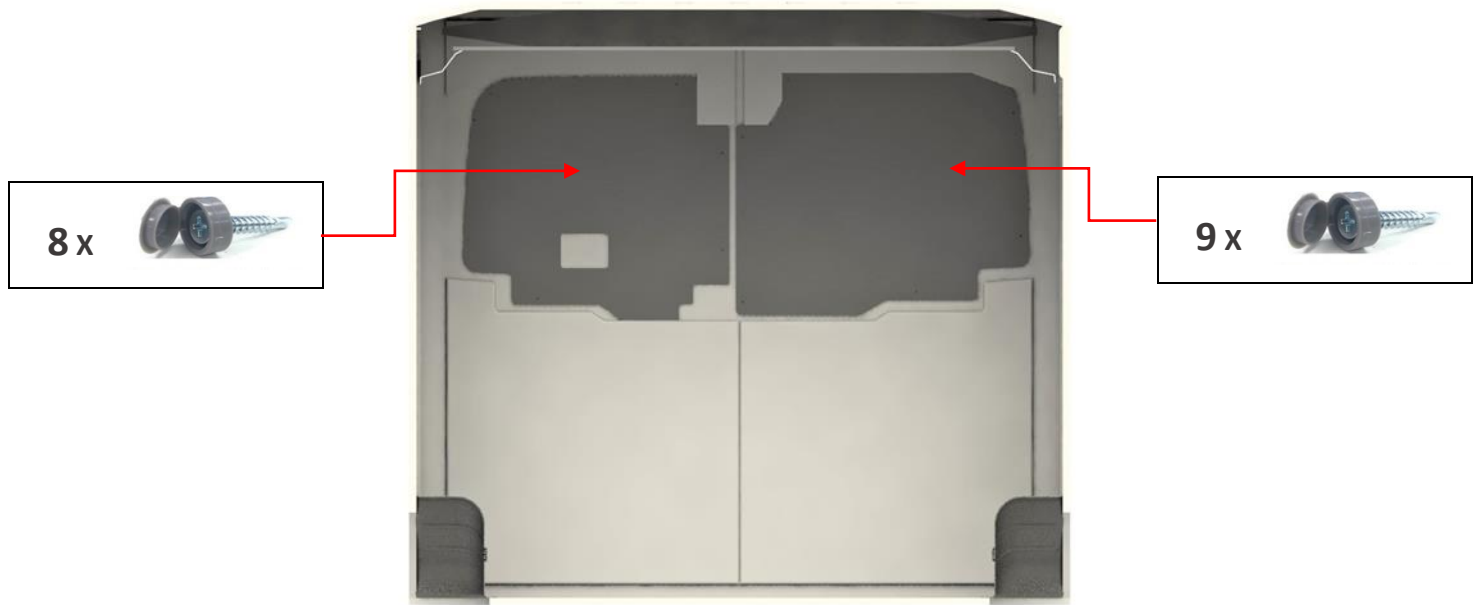


Figure 41

Step 2: Side Door Assembly.

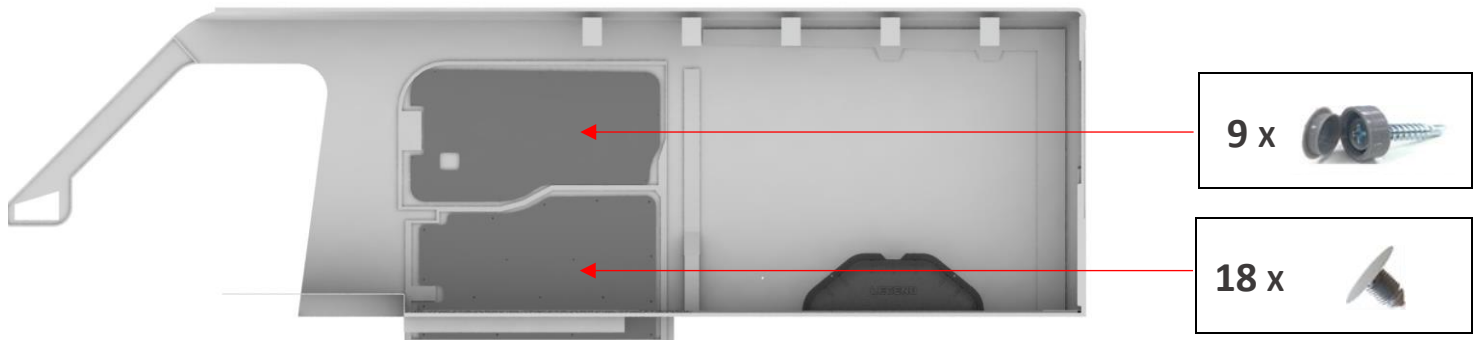


Figure 42

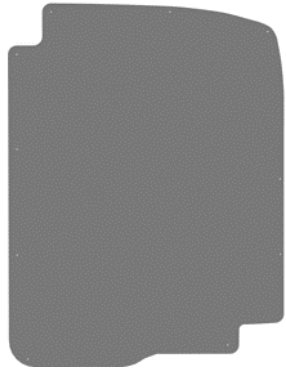
"Passenger Side Sliding Door Liner Installed"

Step 3: Installation of your Legend Door Liners is now complete.

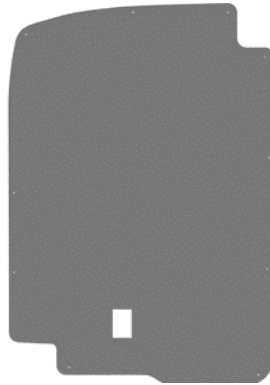
Door Liners - 148" WB - Mid Roof

Parts and Hardware

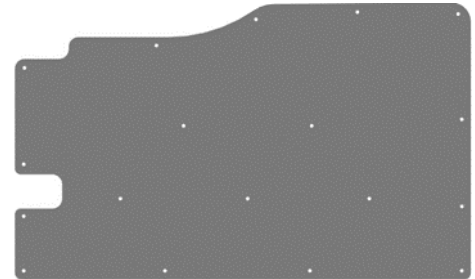
PARTS LIST	QTY	PARTS LIST	QTY
Driver Side Rear Door Liner	1	Push-In Rivet	18
Passenger Side Rear Door Liner	1	Screw Cap	29
Passenger Side Sliding Door Liner 1 - 2	1 Each	Self-Drilling Screw	29



DRIVER SIDE REAR DOOR LINER



PASSENGER SIDE REAR DOOR LINER



PASSENGER SIDE SLIDING DOOR LINER 1



PASSENGER SIDE SLIDING DOOR LINER 2



SCREW CAP




SELF- DRILLING SCREW




PUSH-IN RIVET

Assembly Instructions

Van Doors MUST be in close Position When Installing Door Liners.

Hole Diameter (Ø) = 0.40" = 

Hole Diameter (Ø) = 0.20" = 

Step 1: Rear Door Assembly.

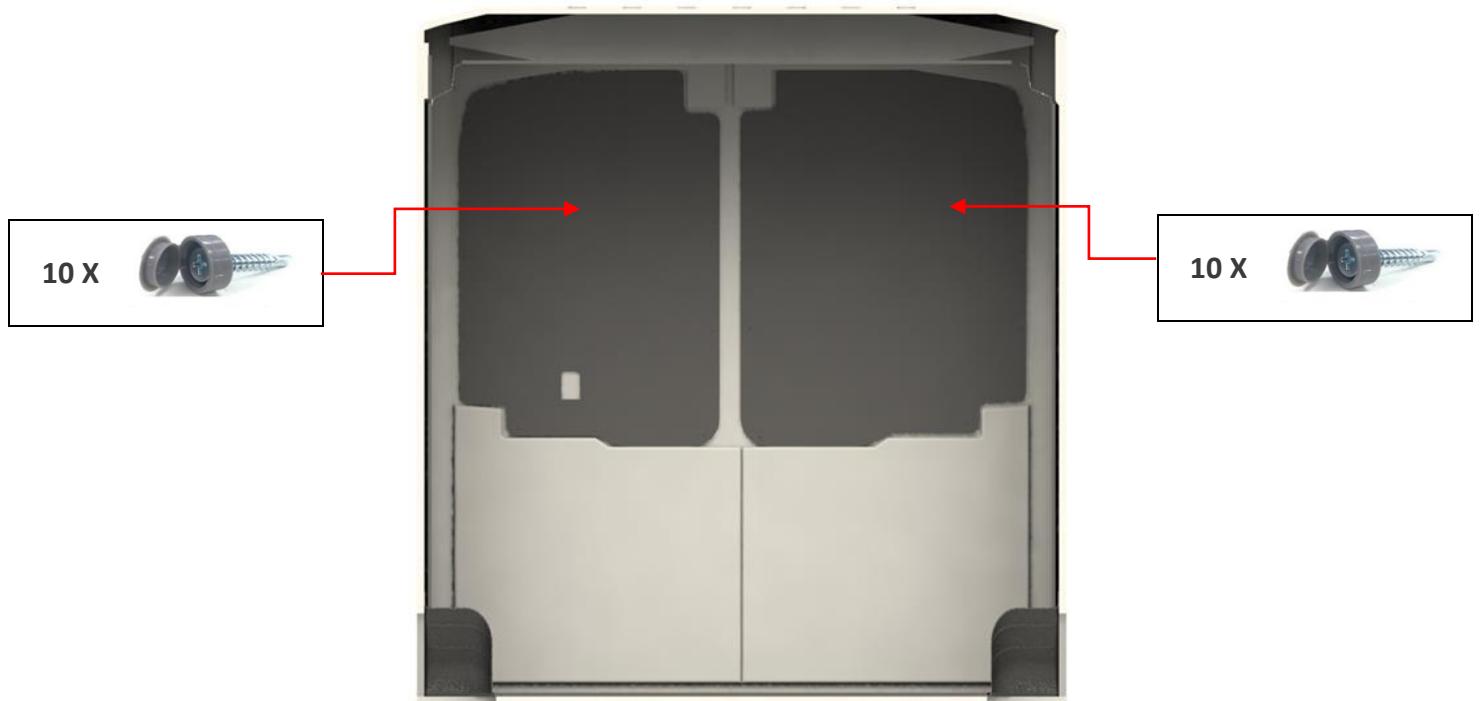


Figure 43
"Rear Door Liners Installed"

Step 2: Side Door Assembly.

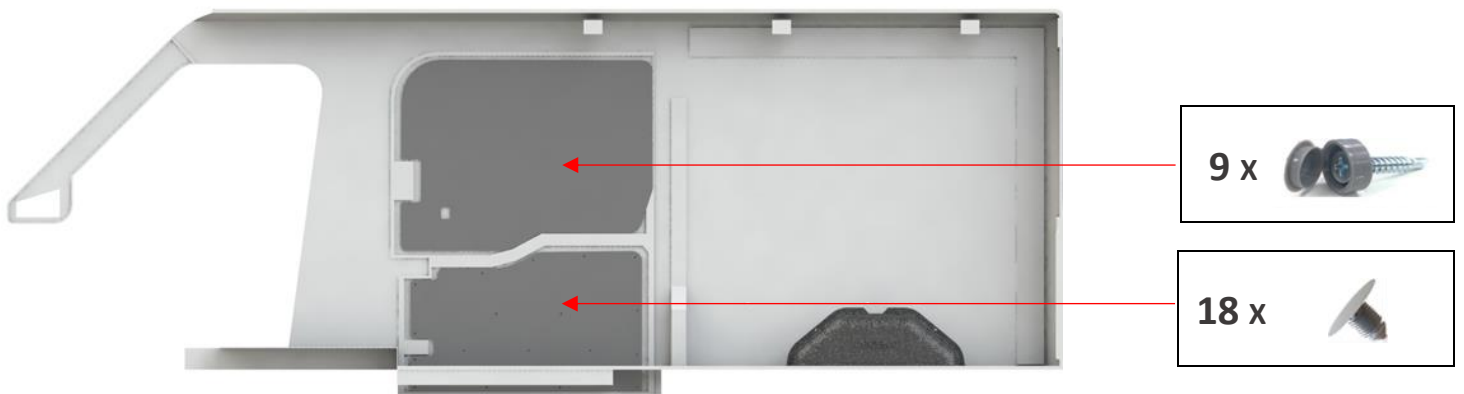


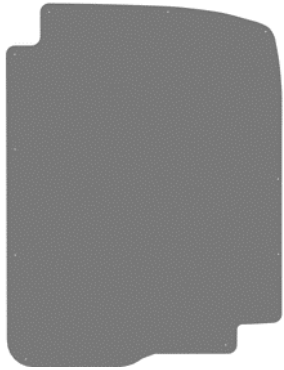
Figure 44
"Passenger Side Sliding Door Liner Installed"

Step 3: Installation of your Legend Door Liners is now complete.

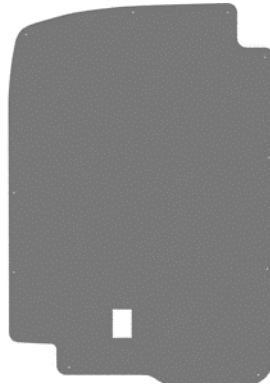
Door Liners - 148" WB - High Roof

Parts and Hardware

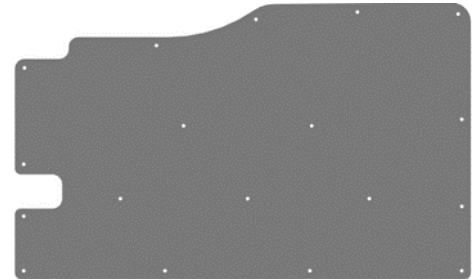
PARTS LIST	QTY	PARTS LIST	QTY
Driver Side Rear Door Liner	1	Push-In Rivet	18
Passenger Side Rear Door Liner	1	Screw Cap	29
Passenger Side Sliding Door Liner 1 - 2	1 Each	Self-Drilling Screw	29



DRIVER SIDE REAR DOOR LINER



PASSENGER SIDE REAR DOOR LINER



PASSENGER SIDE SLIDING DOOR LINER 1



PASSENGER SIDE SLIDING DOOR LINER 2



SCREW CAP




SELF- DRILLING SCREW




PUSH-IN RIVET

Assembly Instructions

Van Doors MUST be in close Position When Installing Door Liners.

Hole Diameter (Ø) = 0.40" = 

Hole Diameter (Ø) = 0.20" = 

Step 1: Rear Door Assembly.

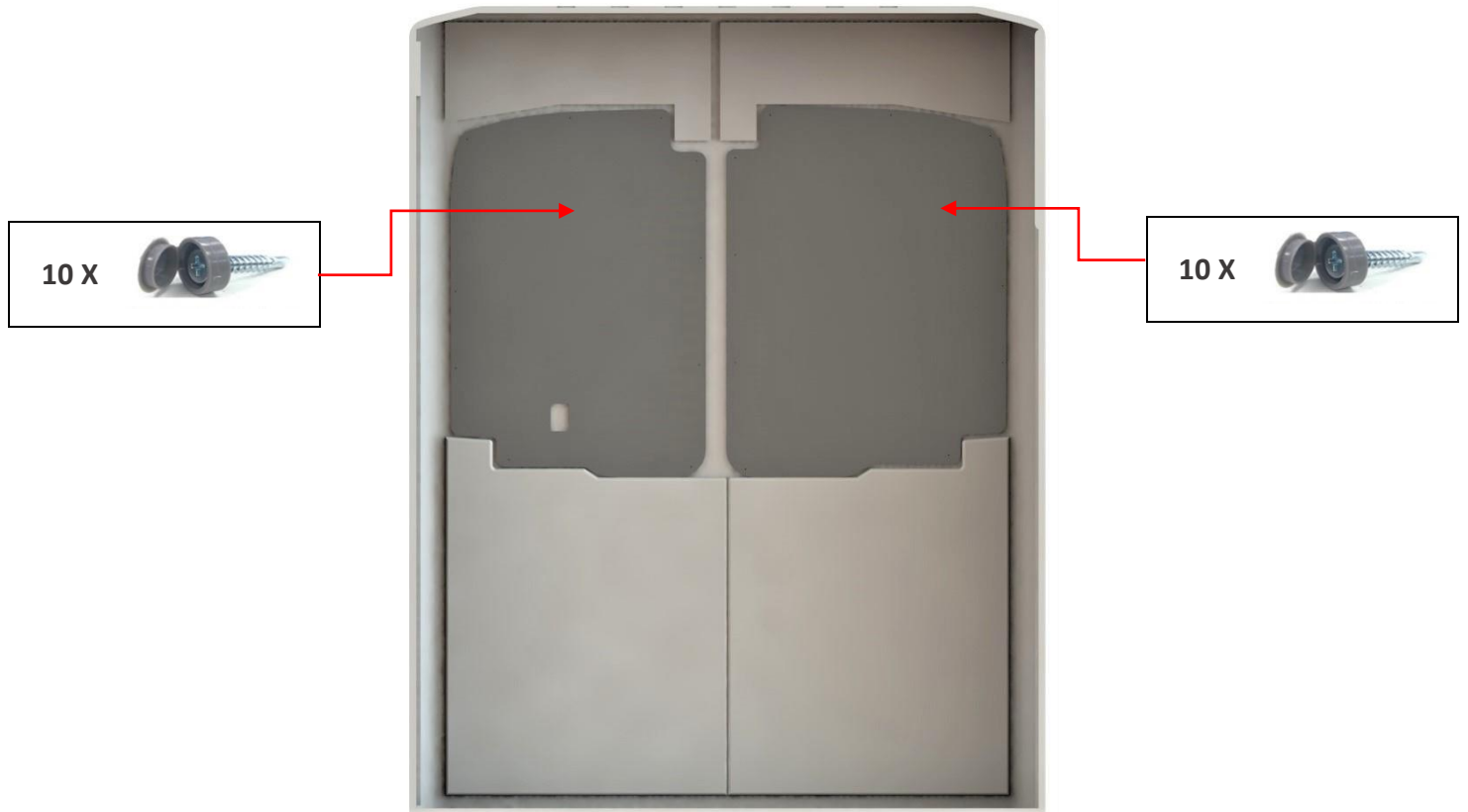


Figure 45
"Rear Door Liners Installed"

Step 2: Side Door Assembly.

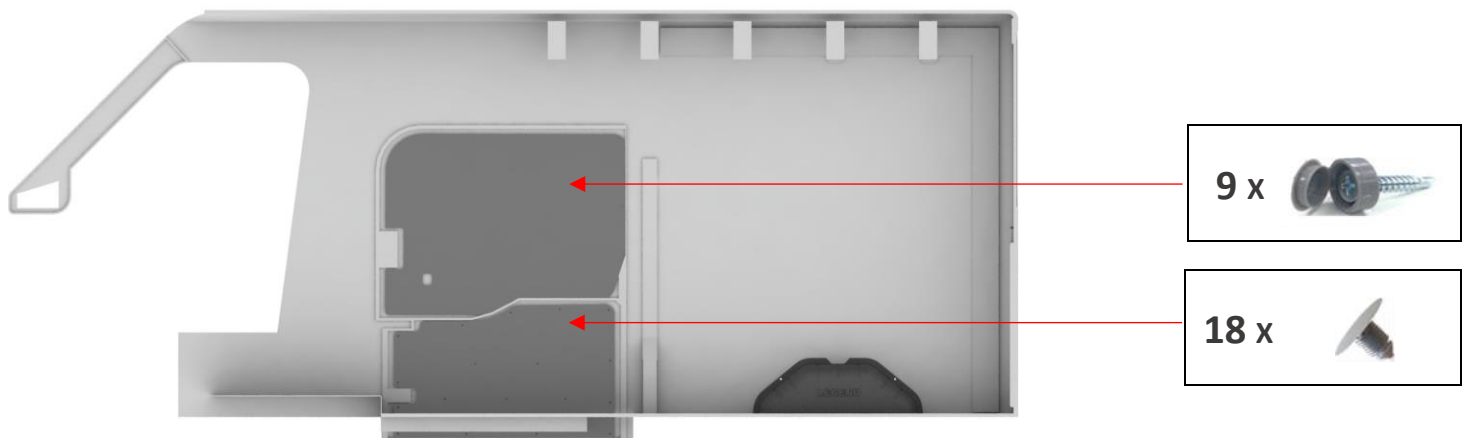


Figure 46
"Passenger Side Sliding Door Liner Installed"

Step 3: Installation of your Legend Door Liners is now complete.

Location of Spacer Foam Ford Transit Cargo Vans

Towards front of the vehicle
→

