

ASSEMBLY INSTRUCTIONS

FORD TRANSIT 148" CARGO EXTENDED – HIGH ROOF

This document presents the detailed procedures for assembling Legend Fleet components and accessories.

Customers can make use these step-by-step procedures and easily assemble without major difficulty.



LEGEND

FLEET SOLUTIONS

519 688 1043
customercare@legendfleet.com

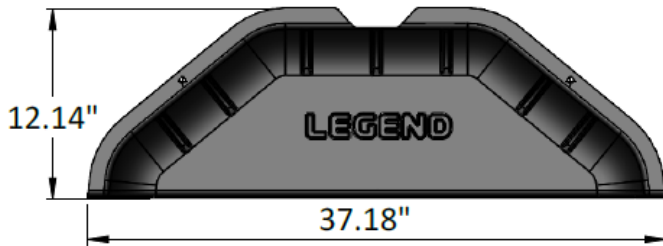
56957 HWY 3 WEST,
TILLSONBURG,
ON N4G 4G8.

Table of Contents

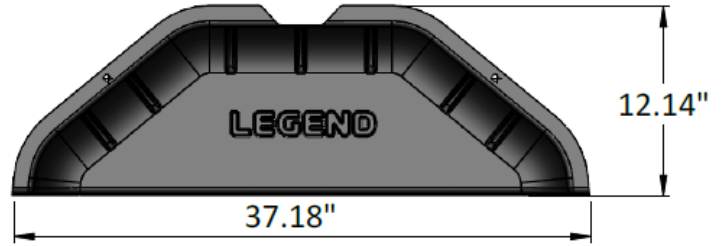
Wheel Well Cover.....	3
Floor.....	4
Floor Sills	8
Wall Liners	9
Ceiling Liners.....	12
Top Sills.....	15
Door Liners	18

Wheel Well Cover

Parts and Hardware



DRIVER SIDE'S WHEEL WELL COVER



PASSENGER SIDE'S WHEEL WELL COVER

4 X

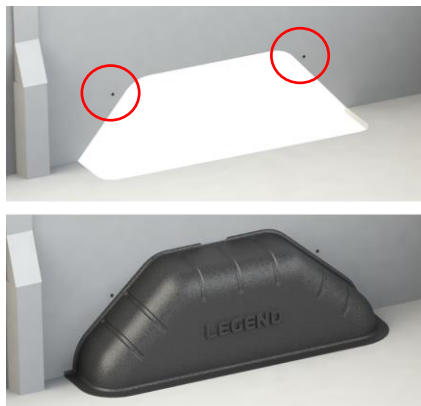


PUSH-IN RIVET

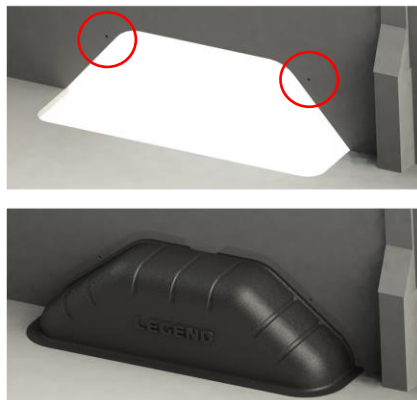
Assembly Instructions

Floor and Wall liner must be installed after the installation of Wheel well covers

Step 1: Place the **Driver side** and **Passenger side** wheel well covers in the vehicle, as shown below.



"Positioning of the Passenger side WWC"

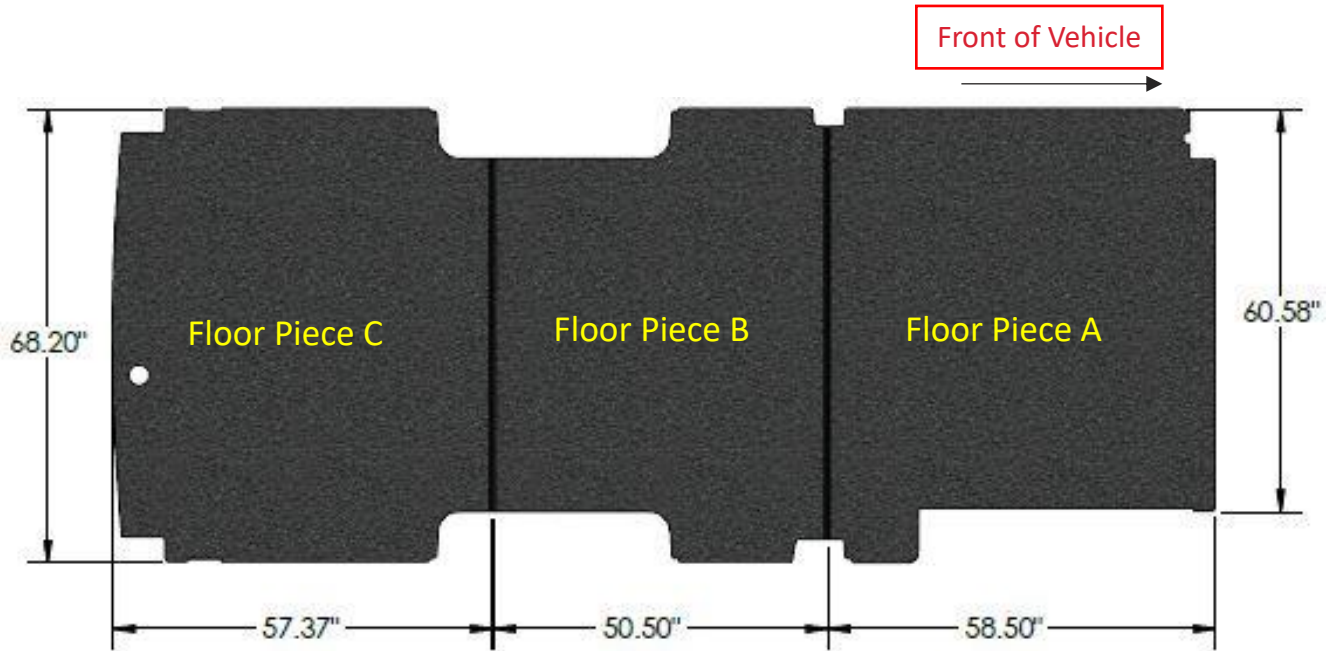


"Positioning of the Driver side WWC"

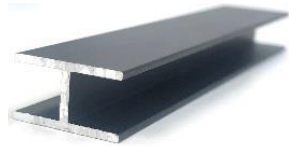


Floor

Parts and Hardware

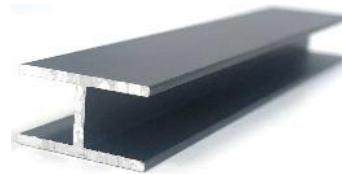


1 X



FRONT RAIL JOINT (62.13")

1X



REAR RAIL JOINT (53.13")

1 X



DRIVER SIDE SPACER FOAM

1 X



PASSENGER SIDE SPACER FOAM

1 X



GLUE

Assembly Instructions

Remove the following items before floor installation:

1. OEM Plastic Trim
2. D-Rings
3. Tie-Downs
4. Other installed parts

Apply a thin line of glue in both the grooves of the Rail Joints, that is supplied with Legend's floor.

Step 1: Install Spacer foam, as shown below.



Figure 1

Step 2: Install Floor Piece A, as shown below.

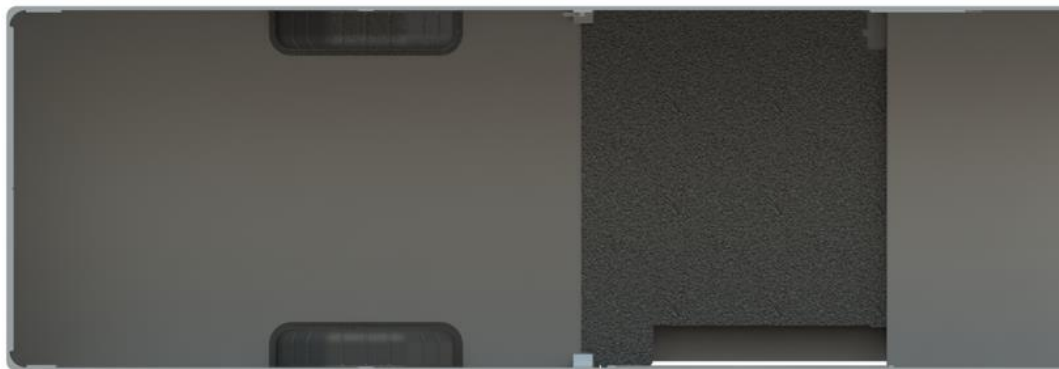


Figure 2

Step 3: Install the Parts in the following order after installing Floor Piece A. as shown below.

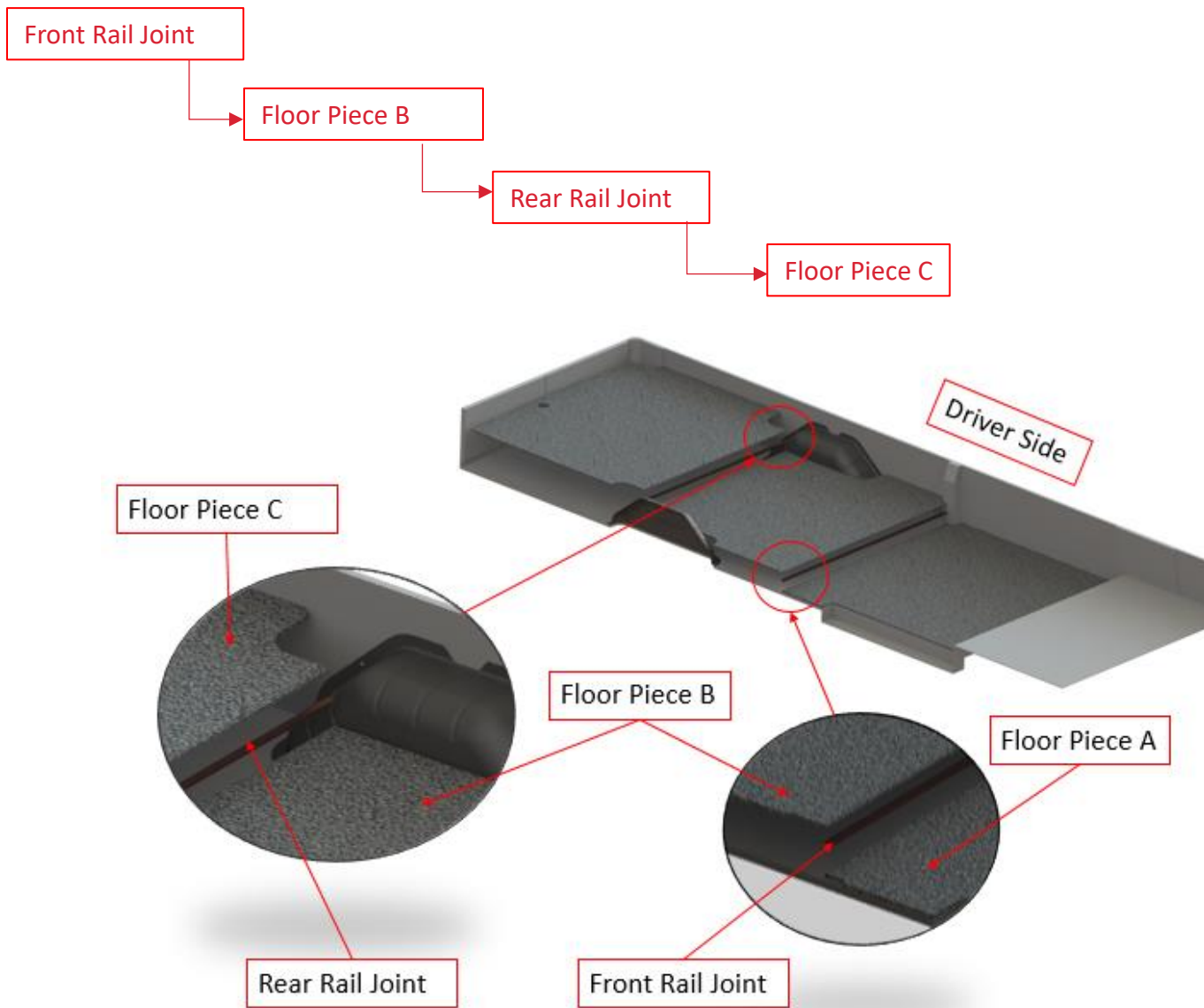


Figure 3

Step 4: Completing the installation of your Legend Floor

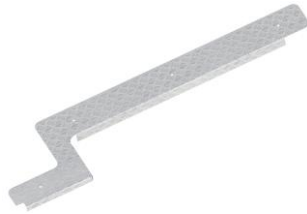
Figure 4

"Floor Installed" *This view is from Inside of Van-Viewing from Top*

Floor Sills

Parts and Hardware

1 X



SIDE SILL

1 X



REAR SILL

7 X



PAN-HEAD SCREW

Assembly Instructions

Step 1: Position the Side Sill on Legend's Floor. Place the Pan Head Screws (4 Nos) to the Floor as shown below

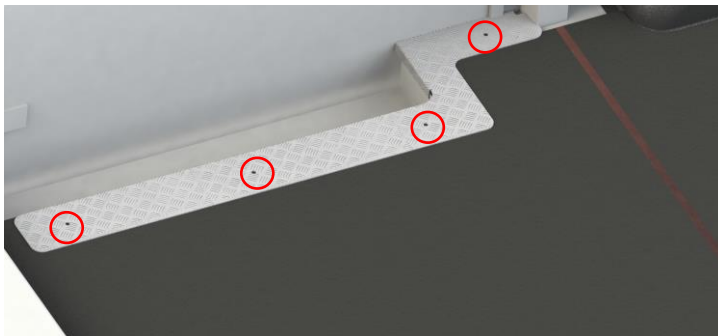


Figure 5

"Positioning and Fixing of the Side Sill"



Step 2: Position the Aluminium Rear Sill on Legend's Floor.



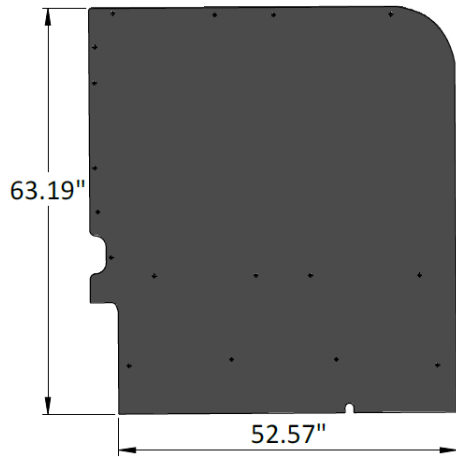
Figure 6

"Positioning and Fixing of the Rear Sill"

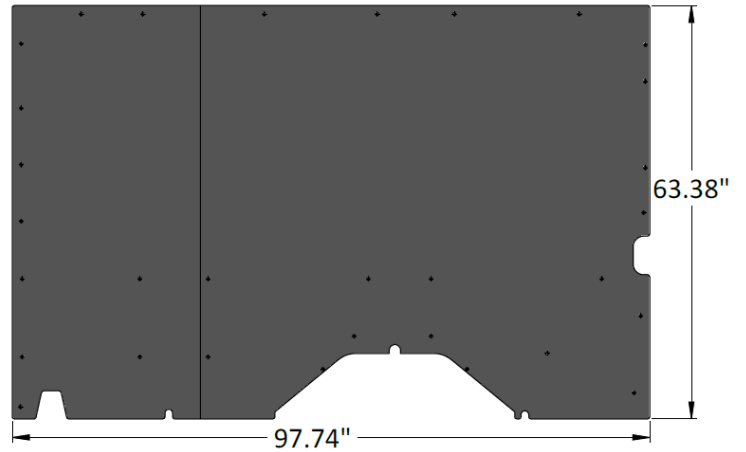


Wall Liners

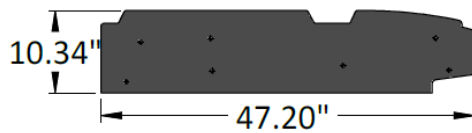
Parts and Hardware



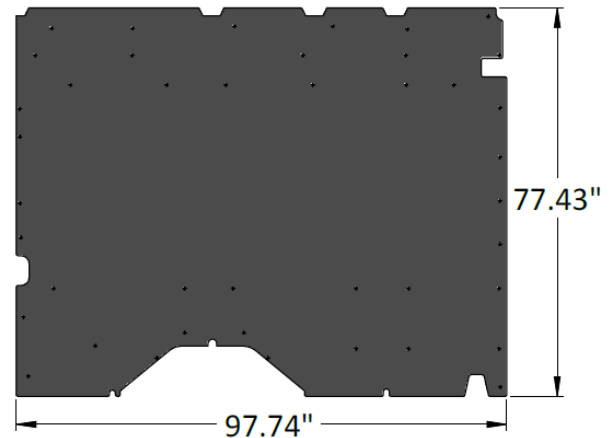
DRIVER SIDE FRONT LOWER WALL (D1A)



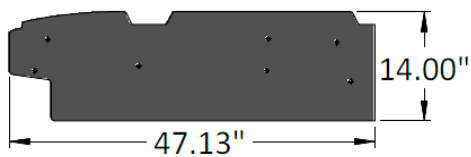
DRIVER SIDE REAR LOWER WALL (D2A)



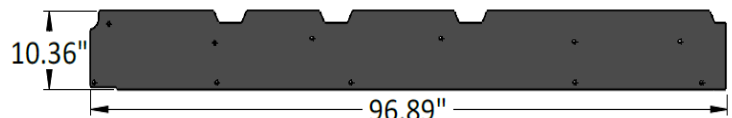
DRIVER SIDE FRONT UPPER WALL (D1B)



PASSENGER SIDE REAR WALL (P2A)



PASSENGER SIDE FRONT WALL (P1A)



DRIVER SIDE REAR UPPER WALL (D2B)


114 X



PUSH-IN RIVET

Assembly Instructions

If Legend's Wheel Well Covers are used, the Wall Liner will lay over the Top Flange of Wheel Well Cover.

Hole Diameter (\varnothing) = 0.40" = 

Step 1: Bring the (D1A) Liner into the vehicle and align the holes on the panel with the ones present on the vehicle's body.

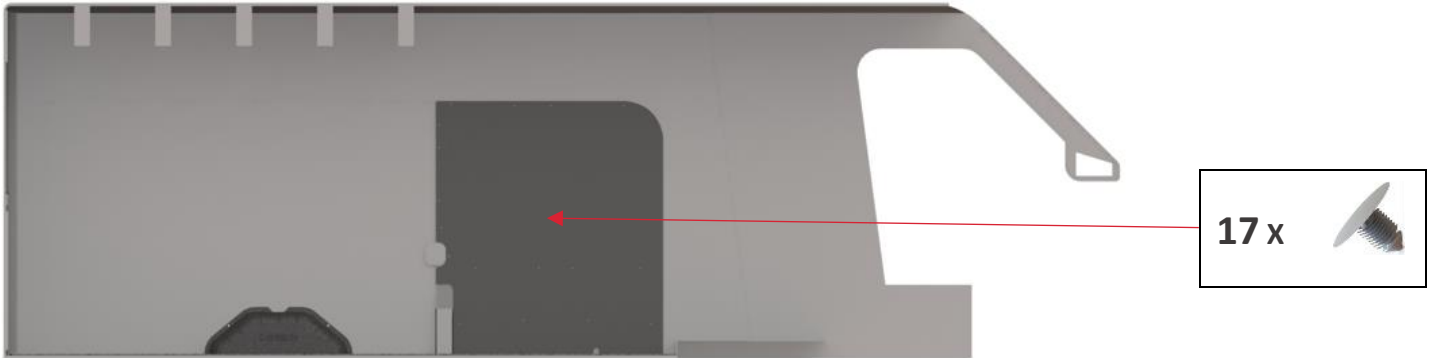


Figure 7

Step 2: Bring the (D2A) Liner into the vehicle and align the holes on the panel with the ones present on the vehicle's body.



Figure 8

"Driver & Rear Side Front Wall Liner Installed" This is view from Inside of the Van- Viewing from Passenger Side

Step 3: Bring the (P2A) Liner into the vehicle and align the holes on the panel with the ones present on the vehicle's body.

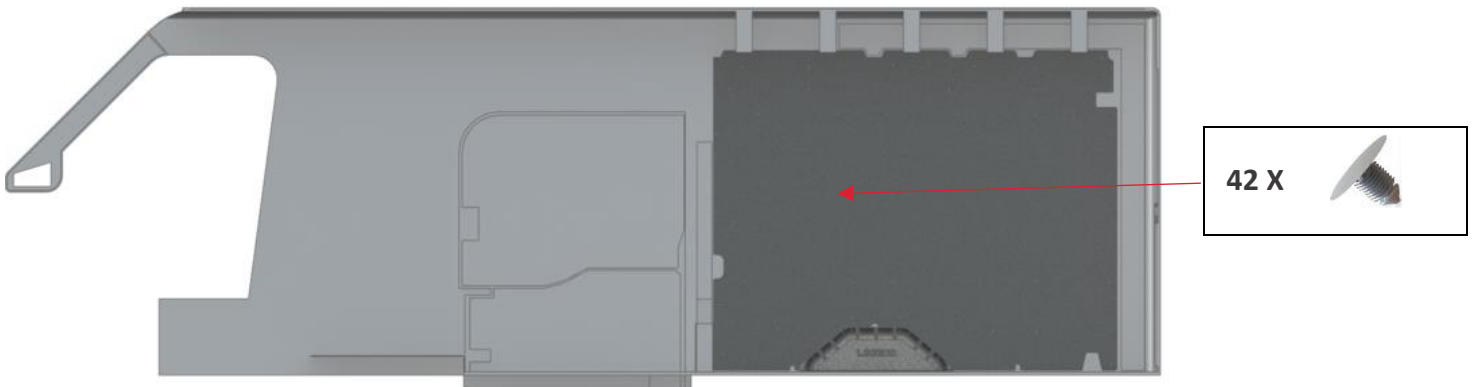


Figure 9

"Passenger Side Rear Lower Liner Installed" This is view from Inside of the Van- Viewing from Driver Side

Step 4: Bring the (P1A) Liner into the vehicle and align the holes on the panel with the ones present on the vehicle's body.

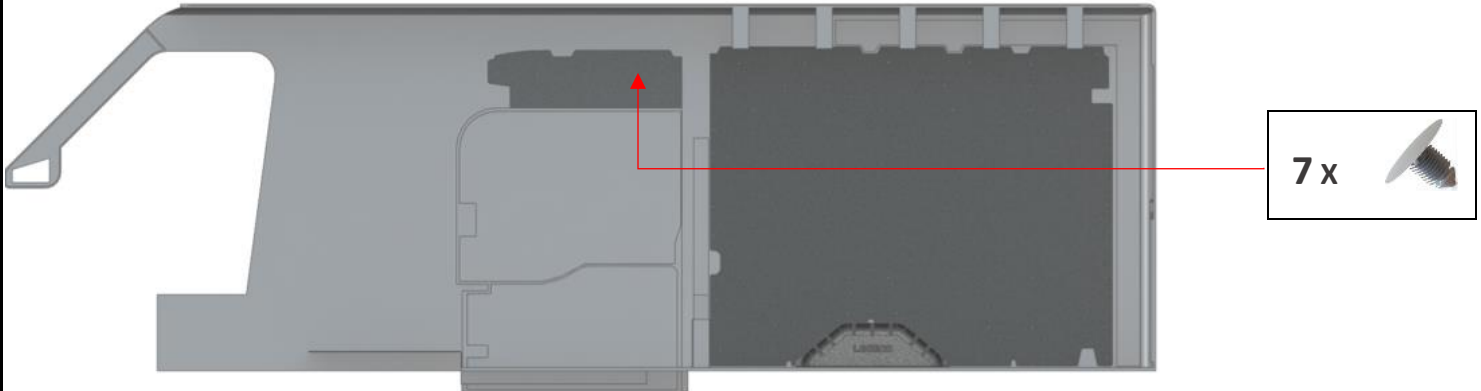


Figure 10

"Passenger Side Front Upper Liner Installed" This is view from Inside of the Van- Viewing from Driver Side

Step 5: Bring the (D1B) Liner into the vehicle and align the holes on the panel with the ones present on the vehicle's body.

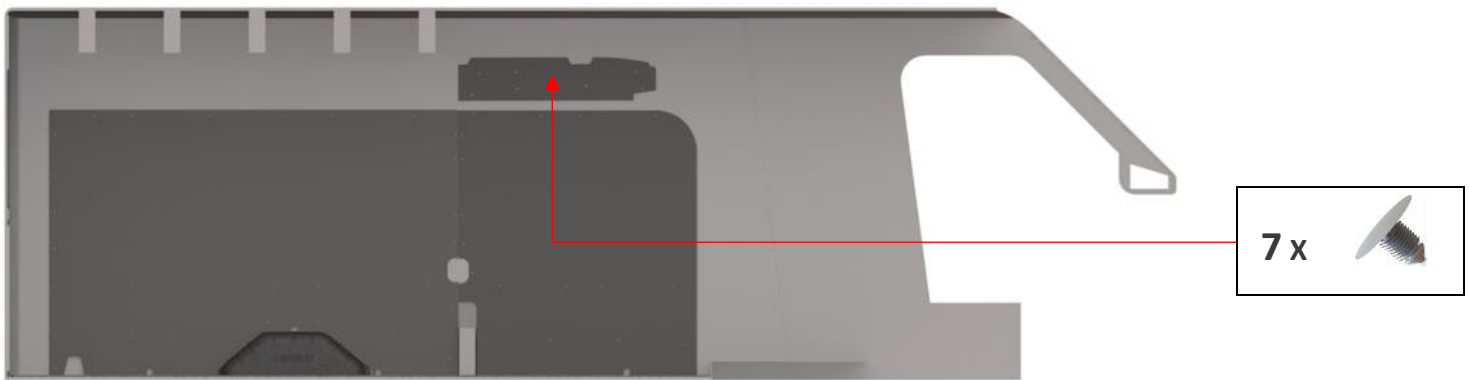


Figure 11

"Passenger Side Front Liner Installed" This is view from Inside of the Van- Viewing from Passenger Side

Step 6: Bring the (D2B) Liner into the vehicle and align the holes on the panel with the ones present on the vehicle's body.



Figure 12

Step 7: Installation of your Legend Wall Liners is now complete.

Ceiling Liners

Parts and Hardware



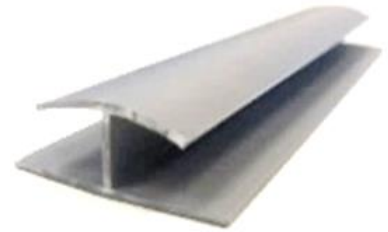
CEILING PIECES

20 X



PUSH-IN RIVET

1 X

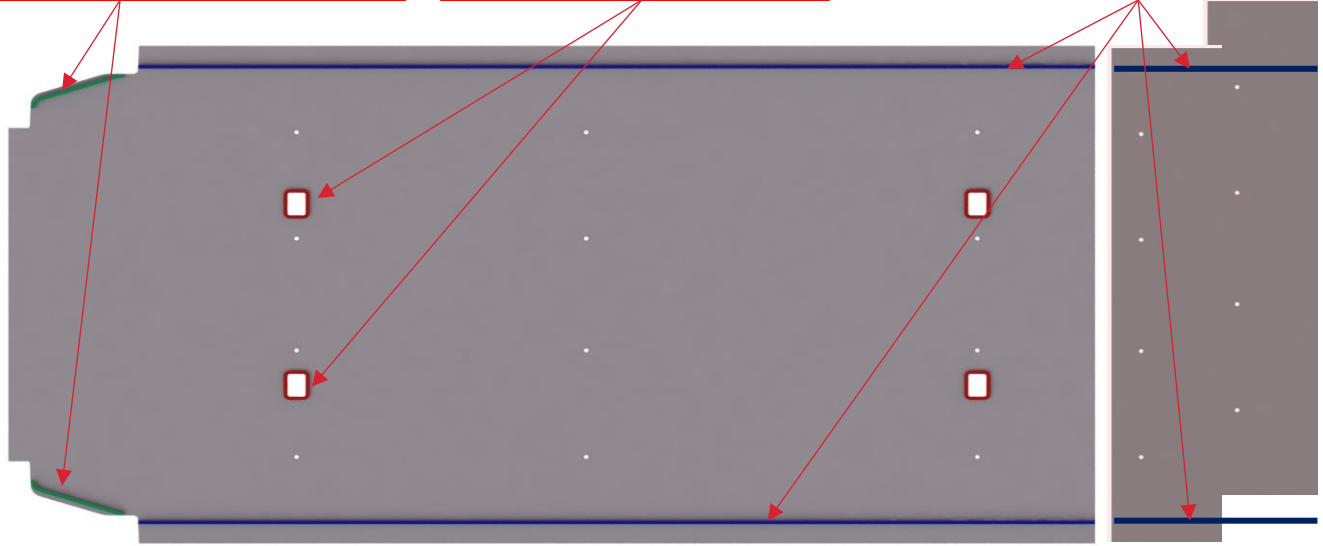


CEILING JOINER STRIP (59.25")

Assembly Instructions

Follow the below instructions for score lines on Rear surface of Ceiling Panel

- Cut along this score line (Shown in Green) if Foam Blocks are present behind headliner
- Cut along this score line (Shown in Red) to fit around the OEM Lights
- Bend the Panel along this score line (Shown in Blue) to allow the ceiling to arch along the cross beam



Step 1: Install Ceiling Piece A, as shown below. Ceiling liner.

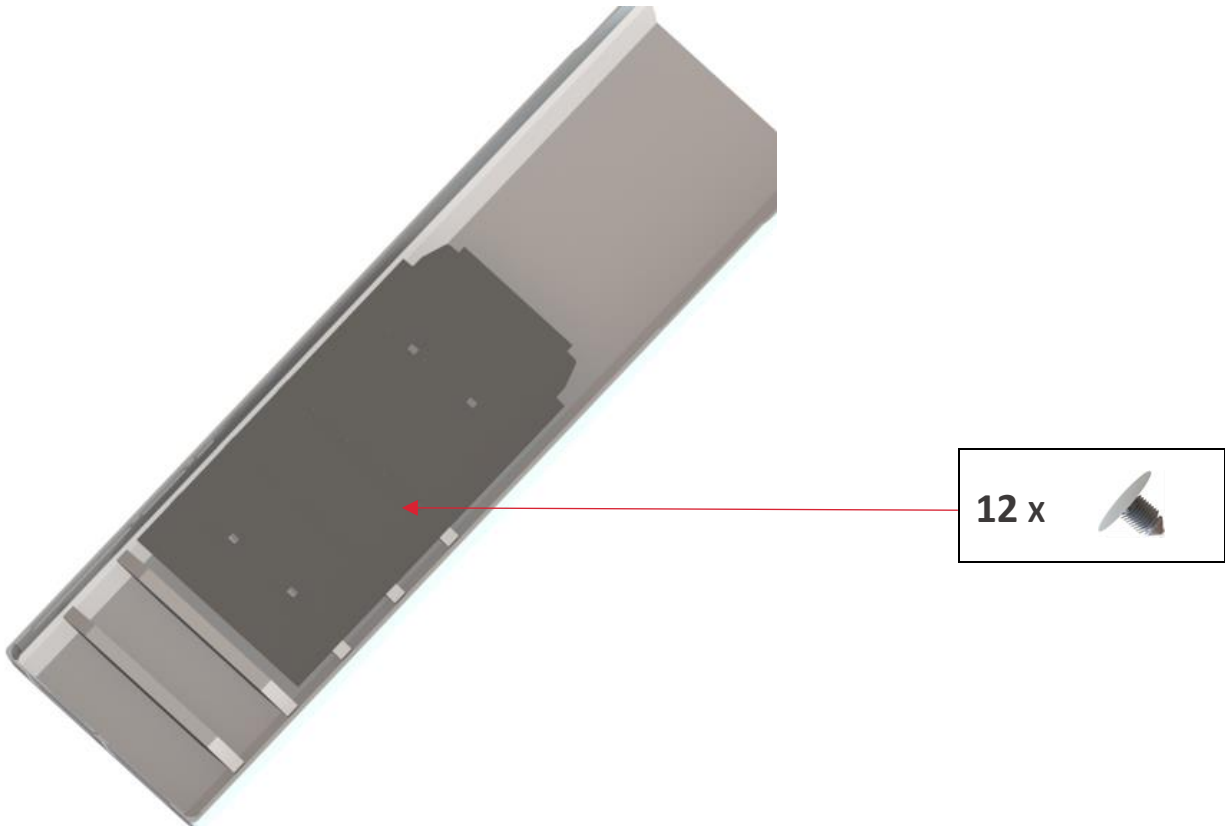


Figure 13

"Positioning and Fixing of the Ceiling Panel A" This View is from Inside of the Van

Step 2: Install the Ceiling Joiner strip at the edge of the Front Ceiling panel

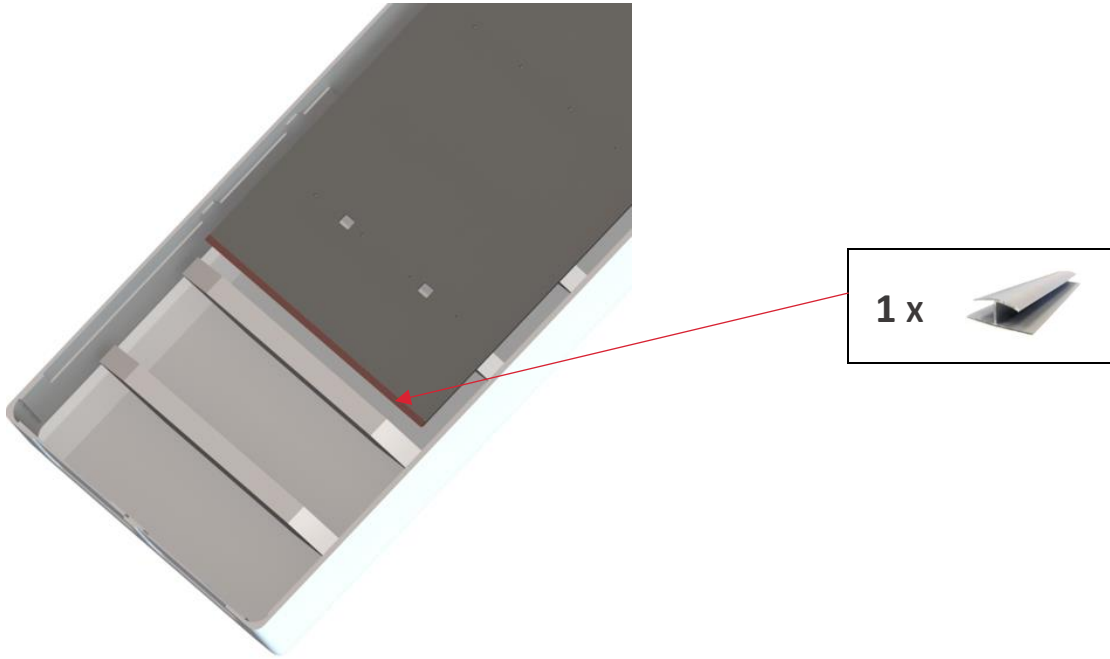


Figure 14

“Positioning and Fixing of the Ceiling Liner Strip” This View is from Inside of the Van

Step 3: Install Ceiling Piece B, as shown below. Ceiling liner.

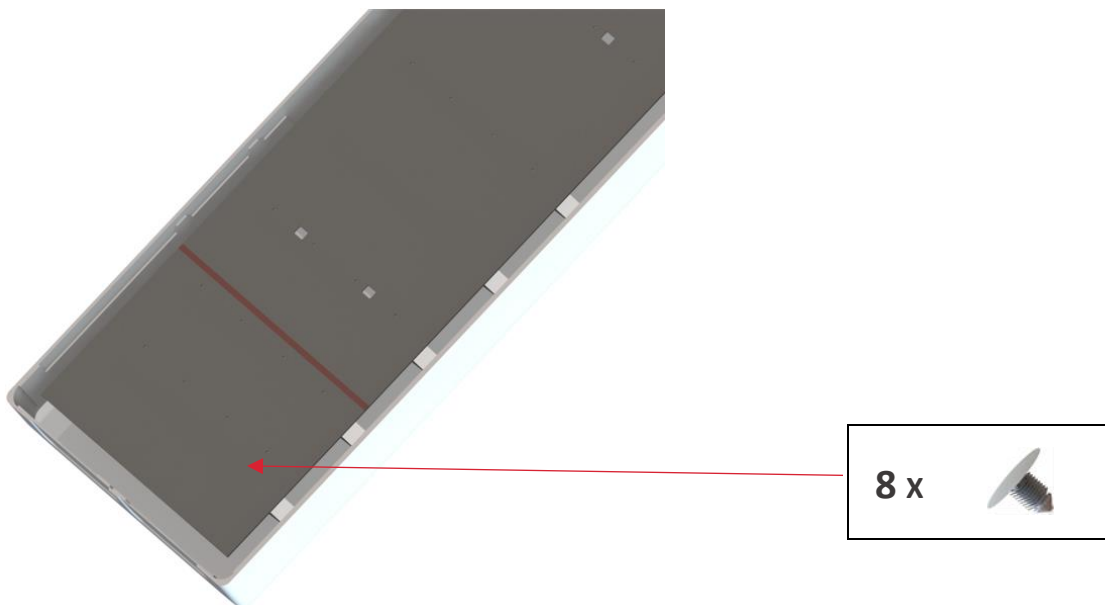


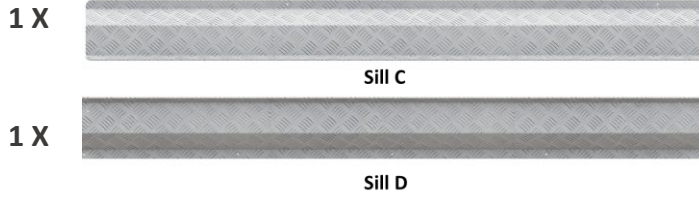
Figure 15

“Positioning and Fixing of the Ceiling Panel B” This View is from Inside of the Van

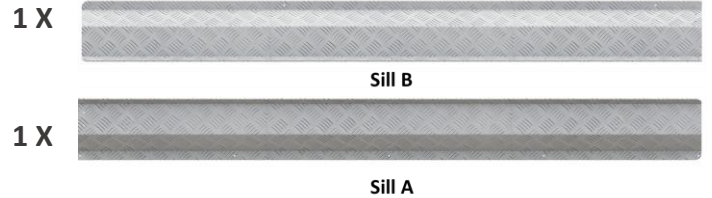
Step 4: This completes the installation of your Legend Ceiling Liner.

Top Sills

Parts and Hardware



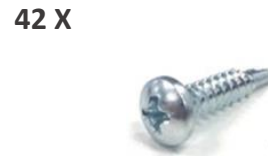
TWO PIECE DRIVER SIDE SILL



TWO PIECE PASSENGER SIDE SILL



TOP SILL JOINER



PAN-HEAD SCREW

Assembly Instructions

Assembly of the Top Sills is to be done outside of the Van before installing it in the Van.

Step 1: Assemble Driver Side sill – C, D, as shown below.

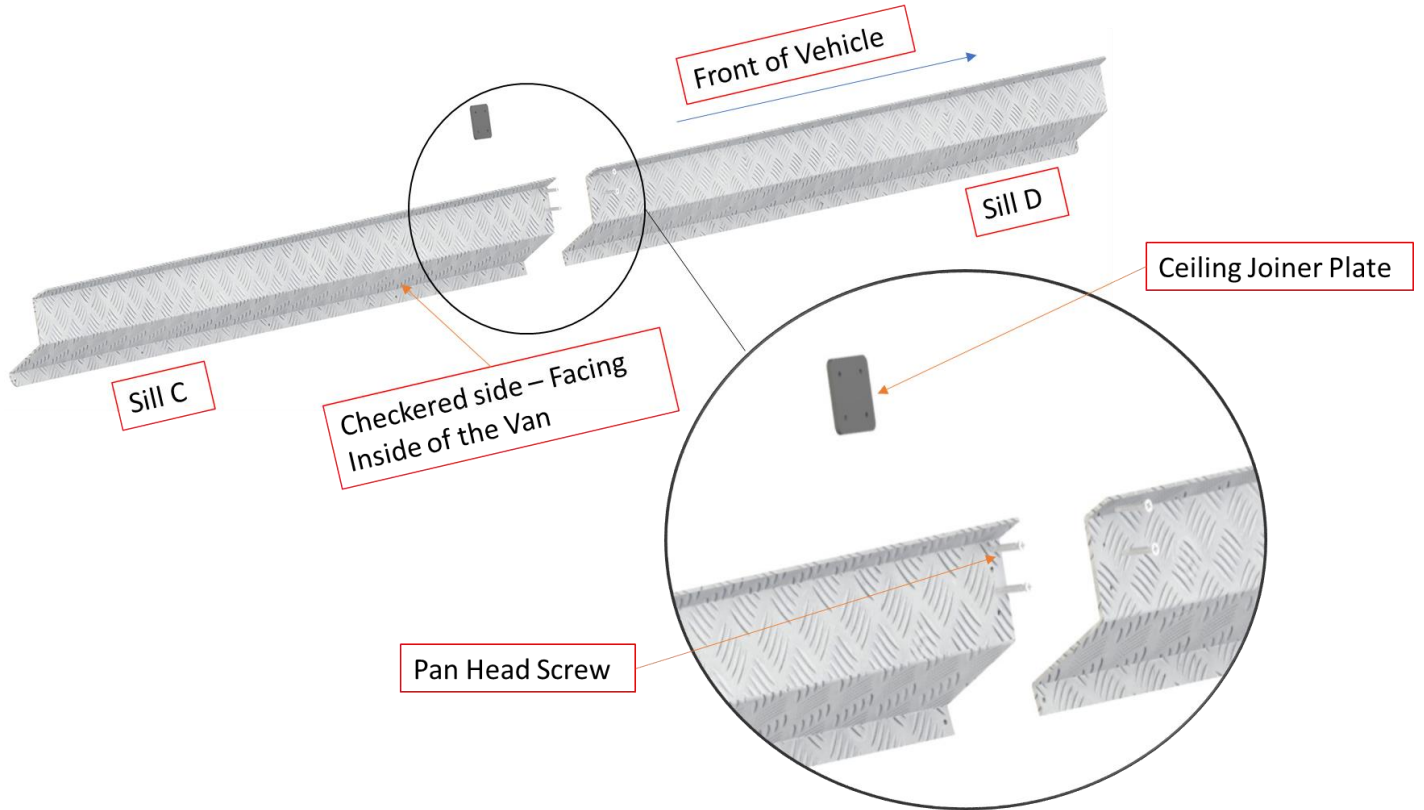


Figure 16

Step 2: Fasten assembled sills in the Van.

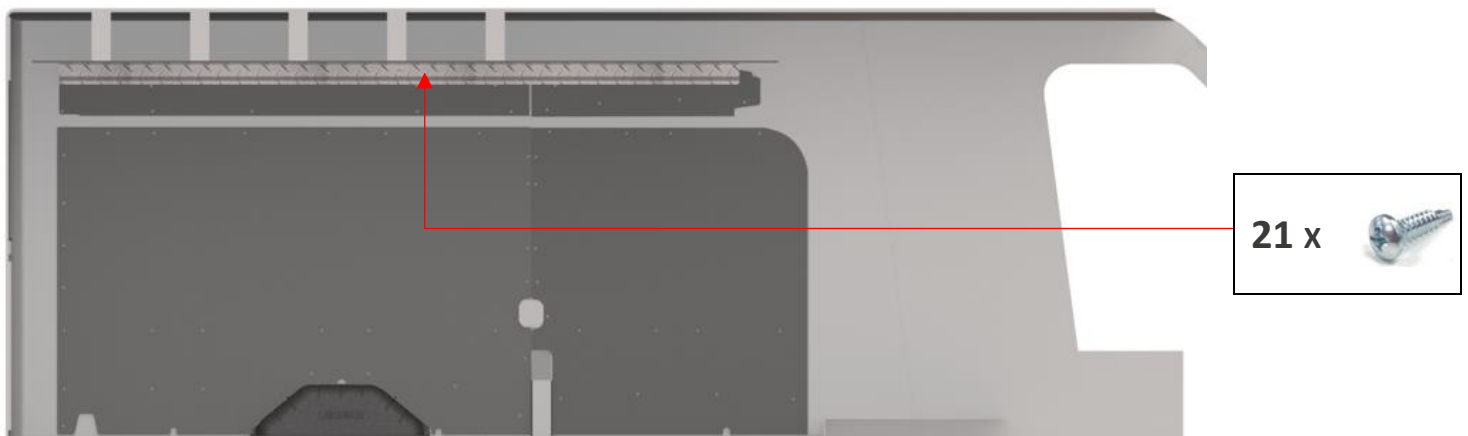


Figure 17
"Driver side Top Sills installed"

Step 3: Assemble Passenger Side Sill – A, B, as shown below.

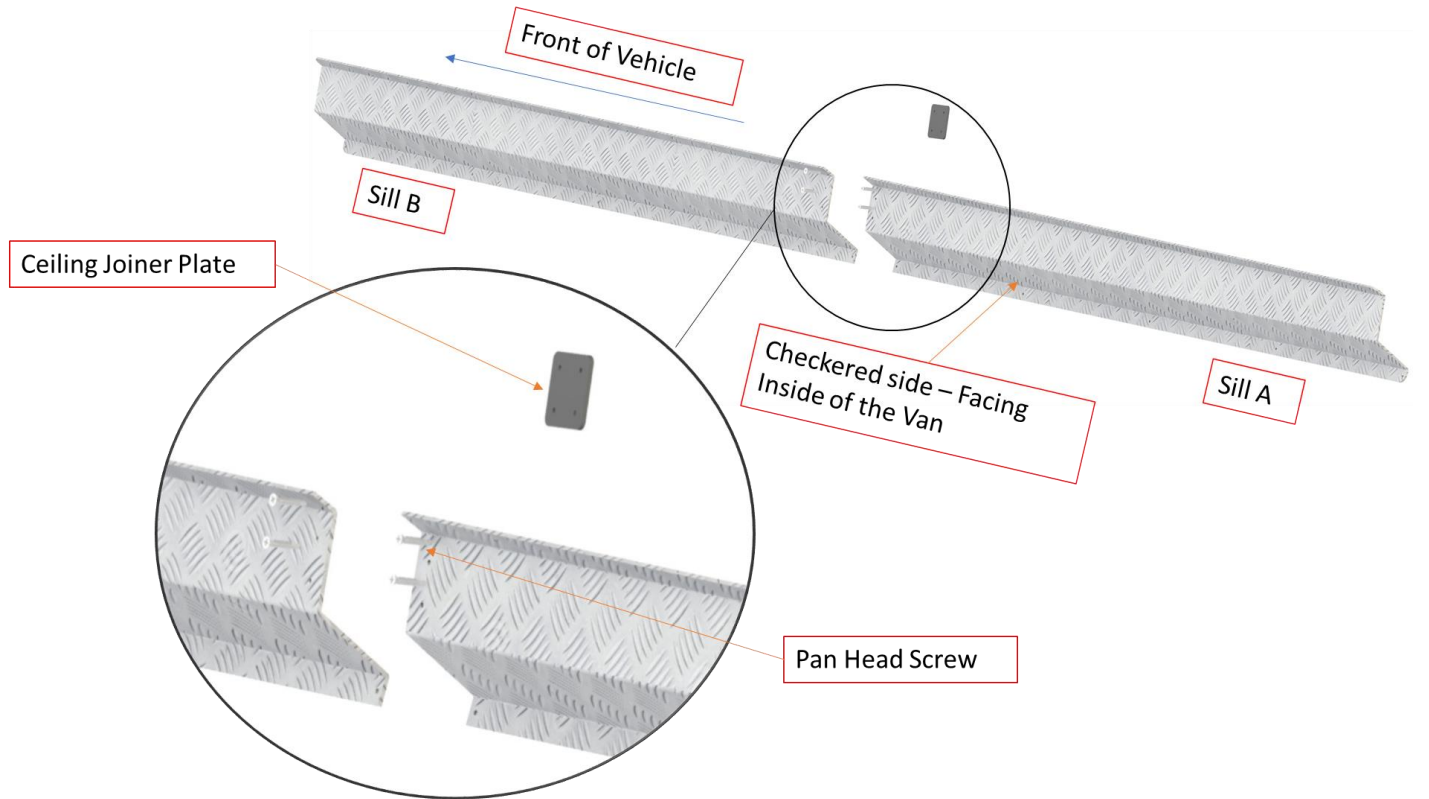


Figure 18

Step 4: Fasten assembled sills in the Van.

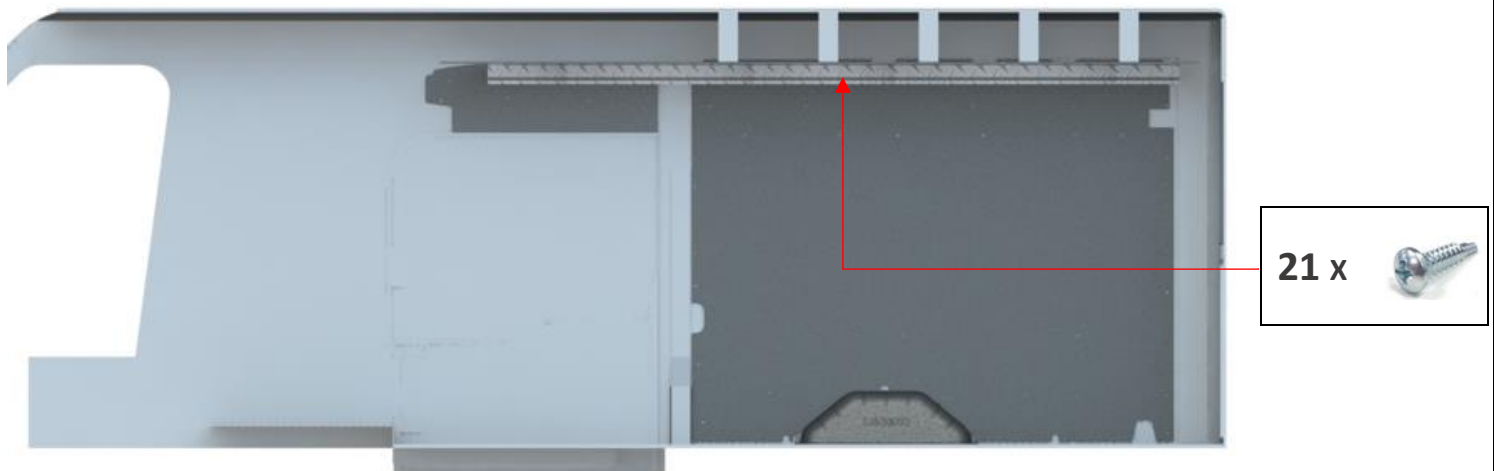
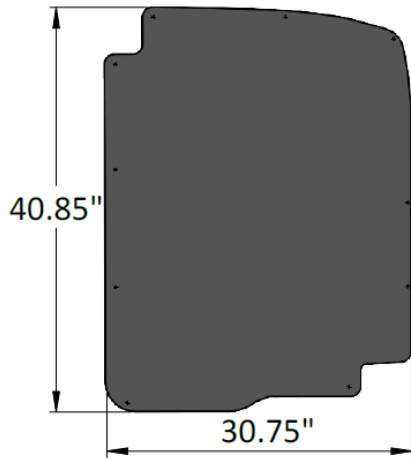


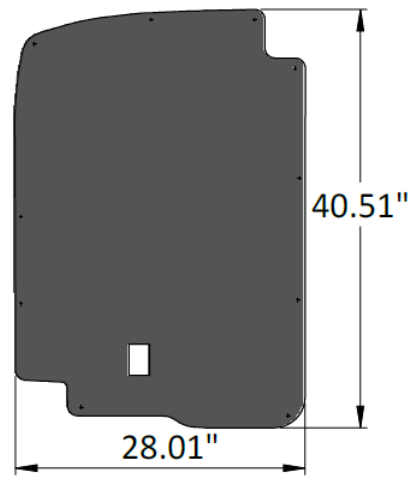
Figure 19
 "Passenger side Top Sills installed"

Door Liners

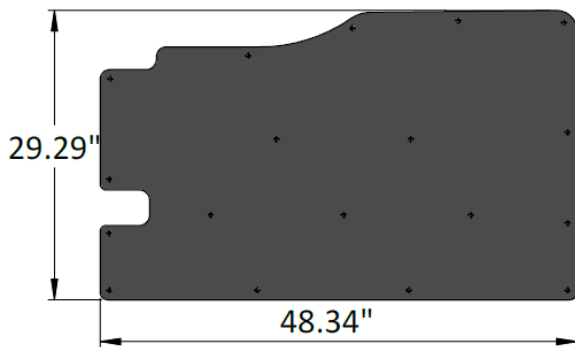
Parts and Hardware



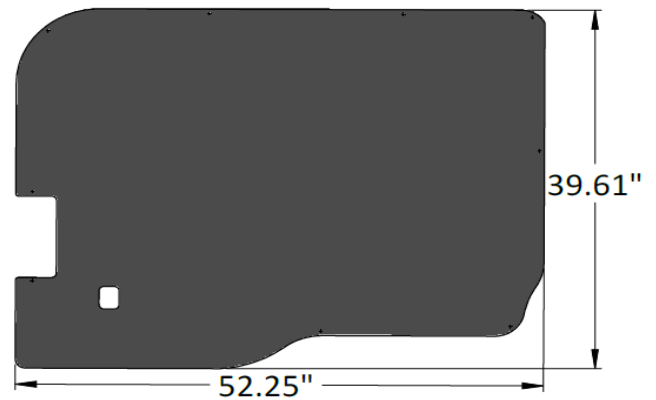
DRIVER SIDE REAR DOOR LINER (DRA)



PASSENGER SIDE REAR DOOR LINER (PRA)



PASSENGER SIDE SLIDING DOOR LINER (PSA)



PASSENGER SIDE SLIDING DOOR LINER (PSB)



SCREWCAP




SELF-DRILLING SCREW




PUSH-IN RIVETS

Assembly Instructions

Van Doors MUST be in close Position When Installing Door Liners.

Hole Diameter (\varnothing) = 0.40" = 

Hole Diameter (\varnothing) = 0.20" = 

Step 1: Rear Door Assembly.

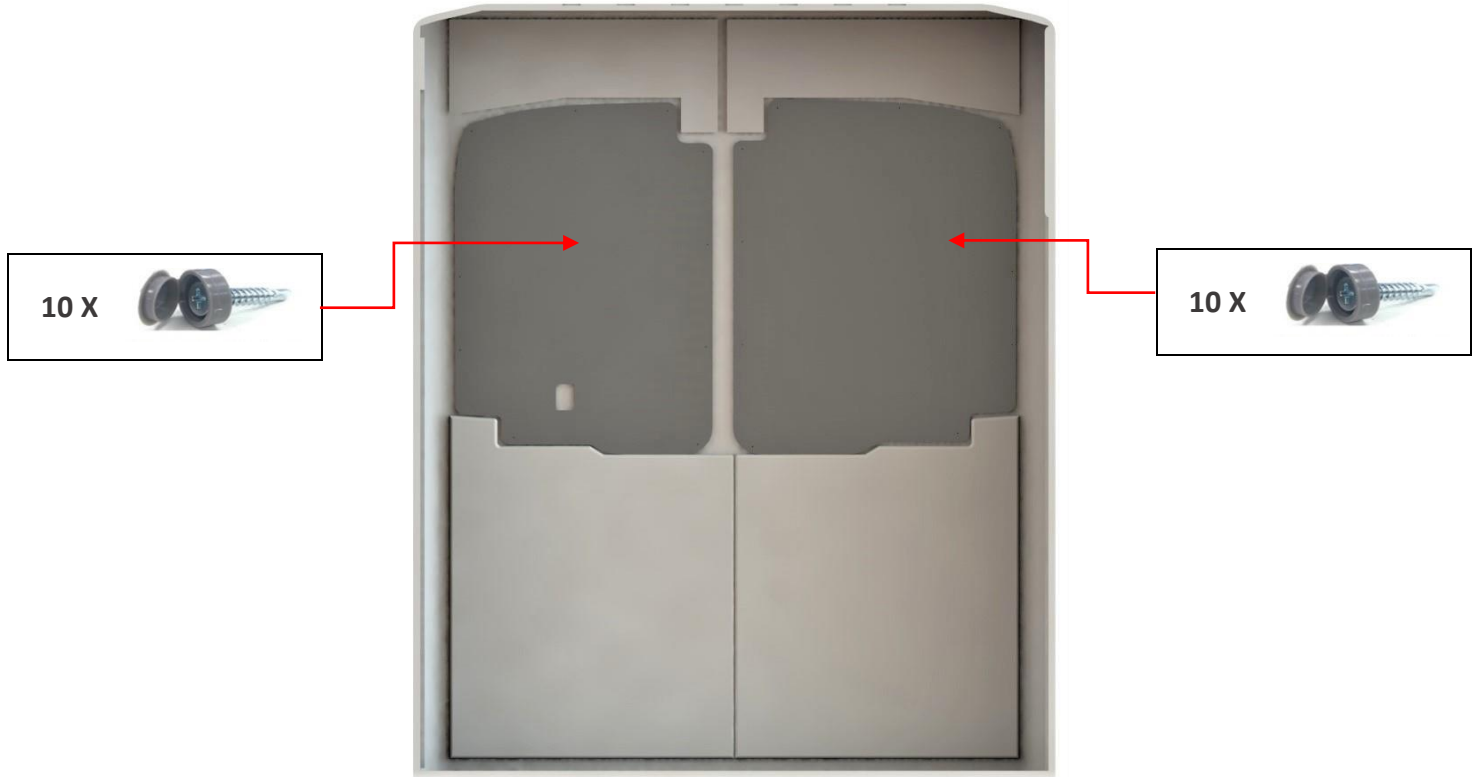


Figure 20
"Rear Door Liners Installed"

Step 2: Side Door Assembly.

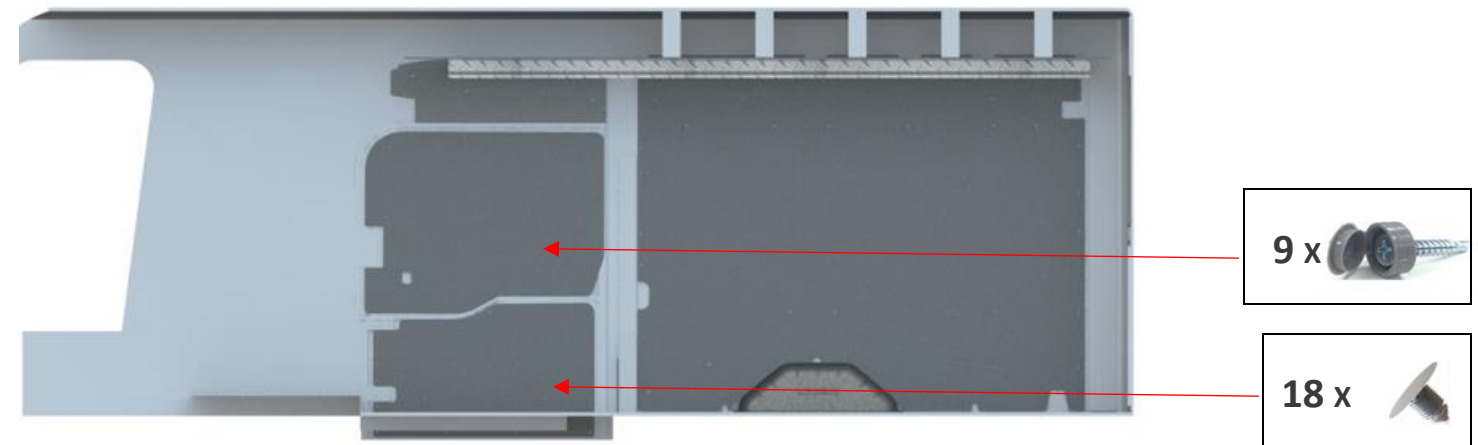


Figure 21
"Passenger Side Sliding Door Liner Installed"

Step 3: Installation of your Legend Door Liners is now complete.

Location of Spacer Foam Ford Transit Cargo Vans

Towards front of the vehicle
→

