

## ASSEMBLY INSTRUCTIONS

# GMC SAVANA CARGO- EXTENDED

This document presents the detailed procedures for assembling Legend Fleet components and accessories.

Customers can make use these step-by-step procedures and easily assemble without major difficulty.



**LEGEND**  
**FLEET SOLUTIONS**

519 688 1043  
[customercare@legendfleet.com](mailto:customercare@legendfleet.com)

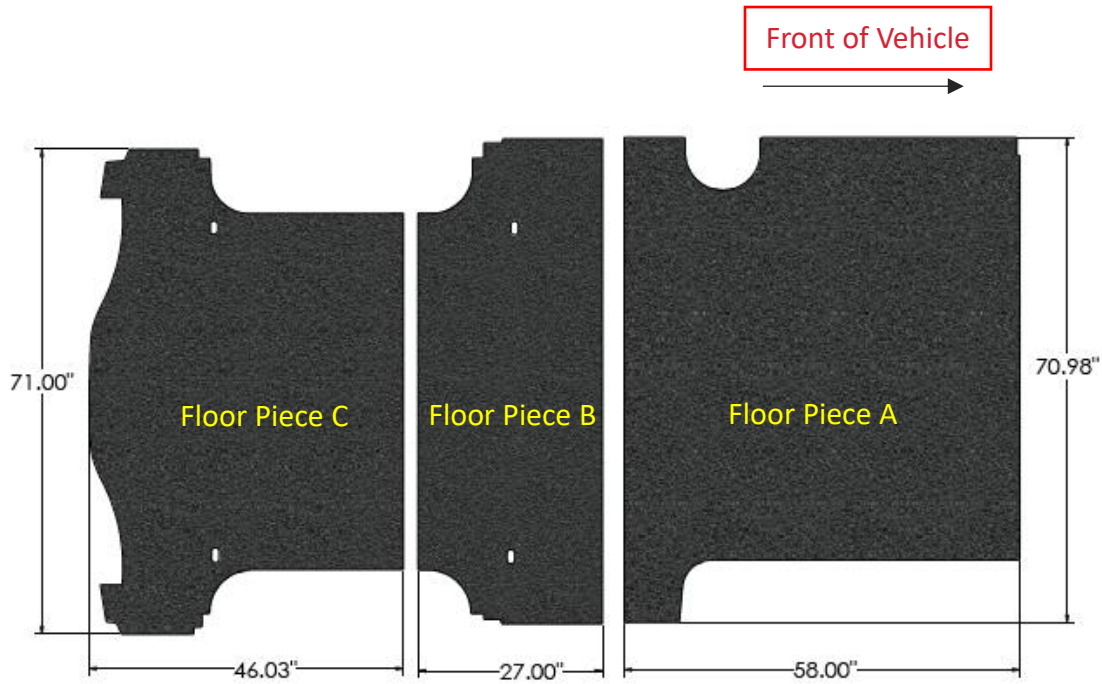
56957 HWY 3 WEST,  
TILLSONBURG,  
ON N4G 4G8.

## Table of Contents

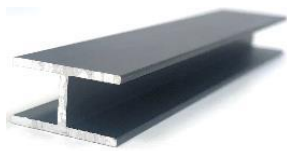
Floor.....	3
Floor Sills .....	7
Wall Liners.....	9
Ceiling Liners.....	12
Top Sills.....	14
Door Liners - <b>Sliding Door</b> .....	16
Door Liners - <b>Barn Door</b> .....	18

# Floor

## Parts and Hardware

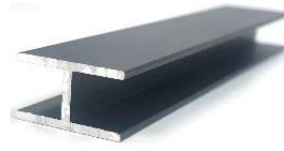


1 X



**FRONT RAIL JOINT (71.00")**

1 X



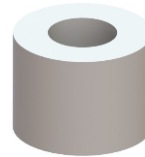
**REAR RAIL JOINT (52.56")**

1X



**GLUE**

4 X



**SPACER**

4 X



**M10 BOLT**

4 X



**M10 FLAT WASHER**

## Assembly instructions

**Remove the following items before floor installation:**

1. OEM Plastic Trim
2. D-Rings
3. Tie-Downs
4. Other installed parts

**Apply a thin line of glue in both the grooves of the Rail Joints, that is supplied with Legend's floor.**

**Step 1:** Install Floor Piece A, as shown below.

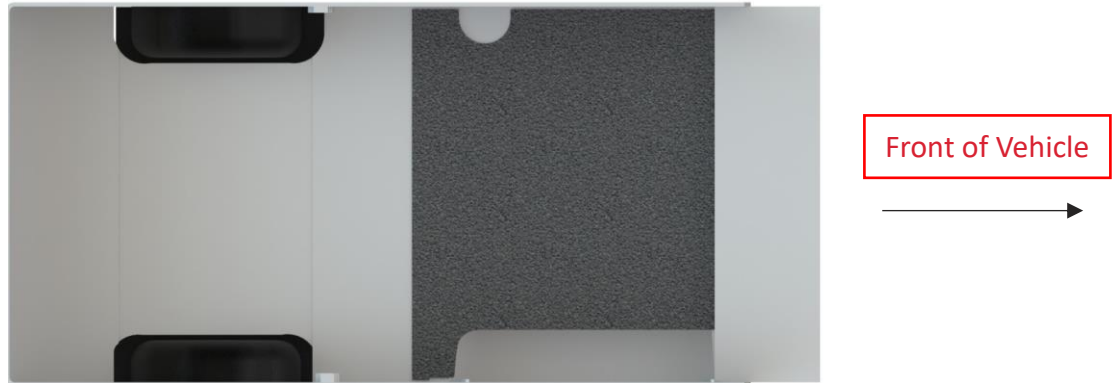
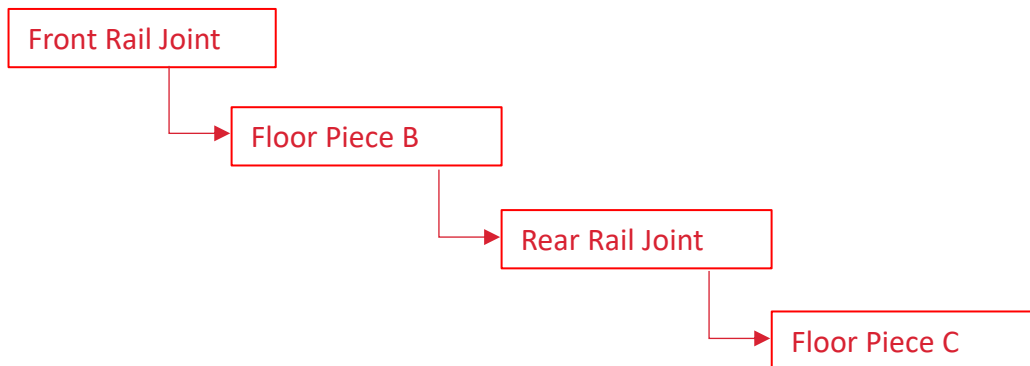


Figure 1

**Step 2:** Install the Parts in the following order after installing Floor Piece A as shown below.



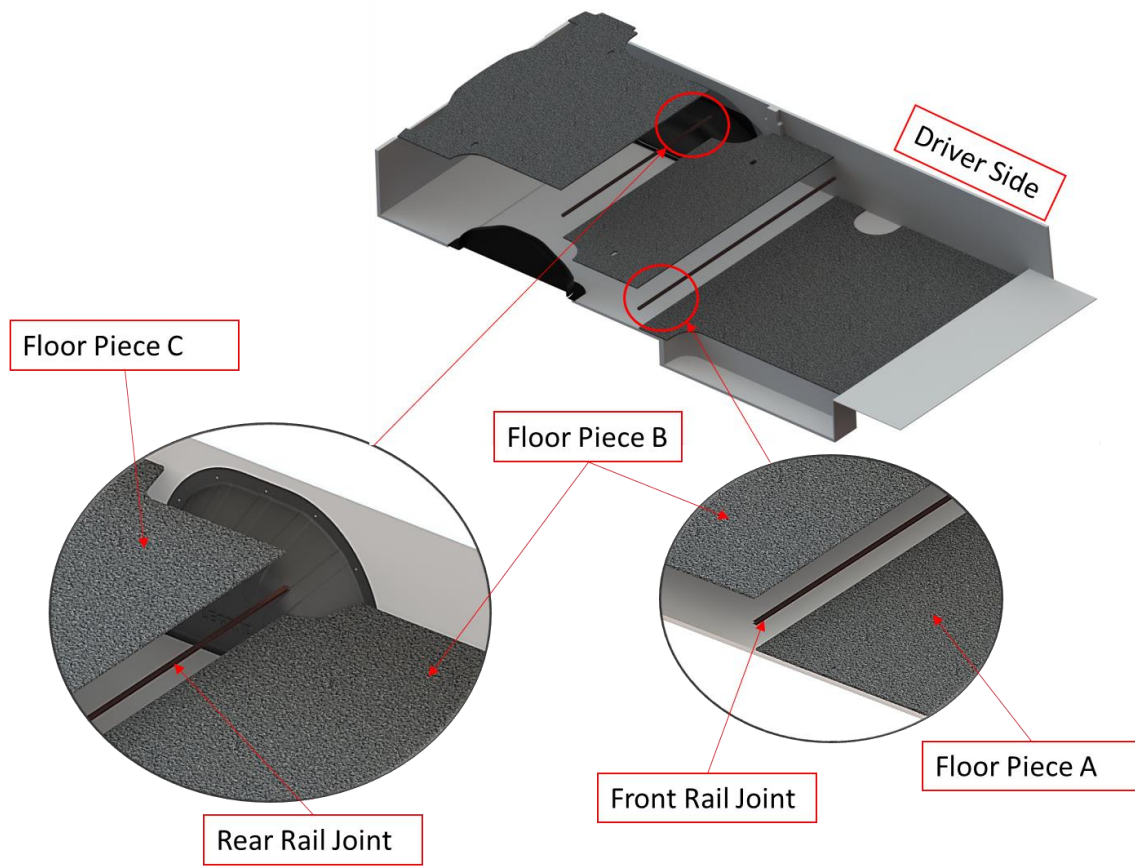


Figure 2

**Step 3:** Place the Spacers between the slots of the Floor as shown below.

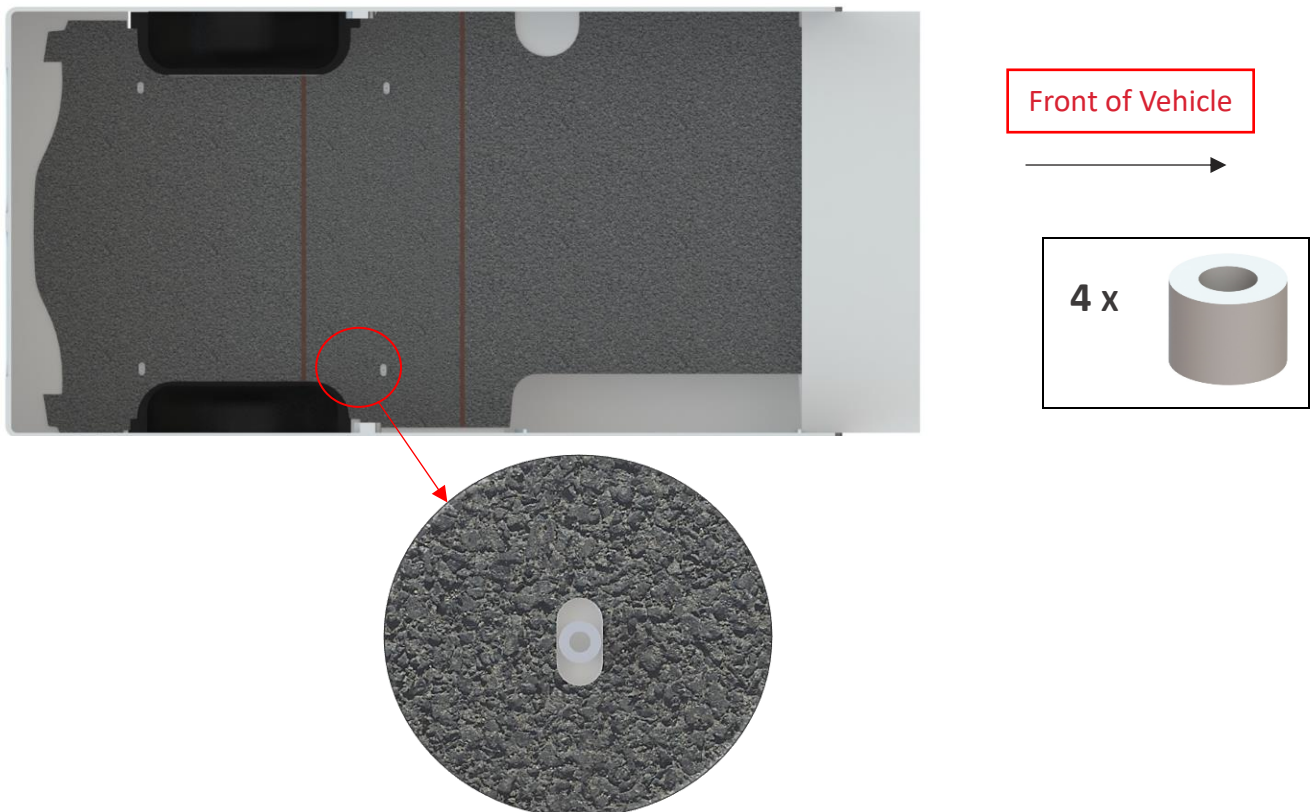


Figure 3

"Spacers between the slots of the Floor"

**Step 4:** Replace the OEM bolt in each D-Ring with combination of M10 Bolt and a flat washer as shown below.

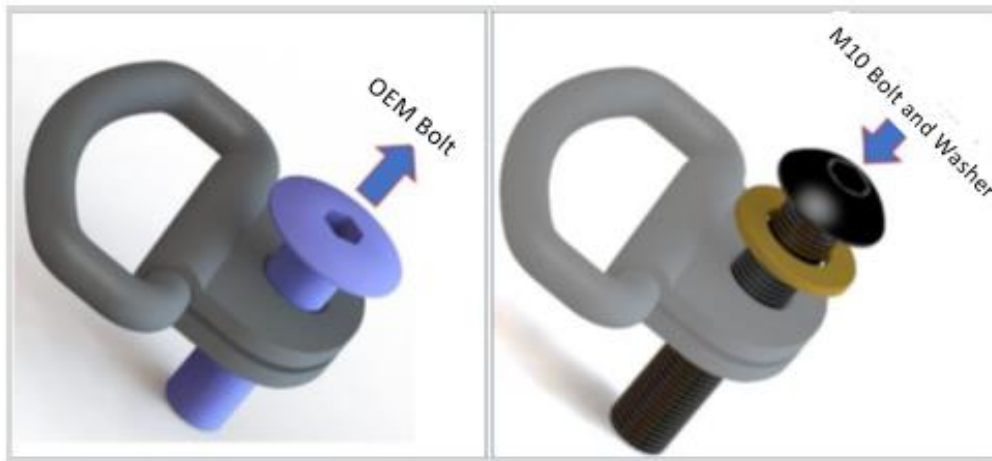


Figure 4

**Step 5:** complete the installation of Legend Floor.

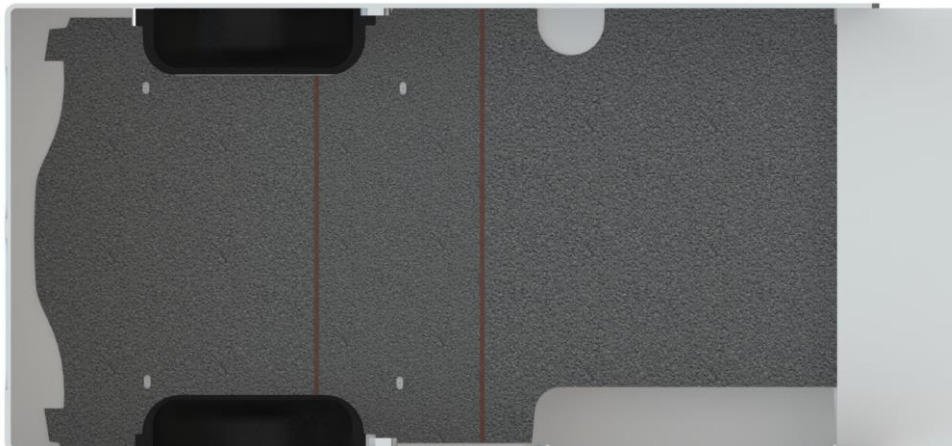


Figure 5

*"Floor Installed" This view is from Inside of Van-Viewing from Top*



# Floor Sills

## Parts and Hardware



## Assembly Instructions

**Step 1:** Position the Side Sill on Legend's Floor. Place the Pan Head Screws (4 Nos) to the Floor as shown below

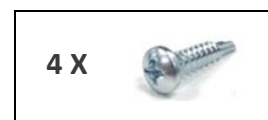
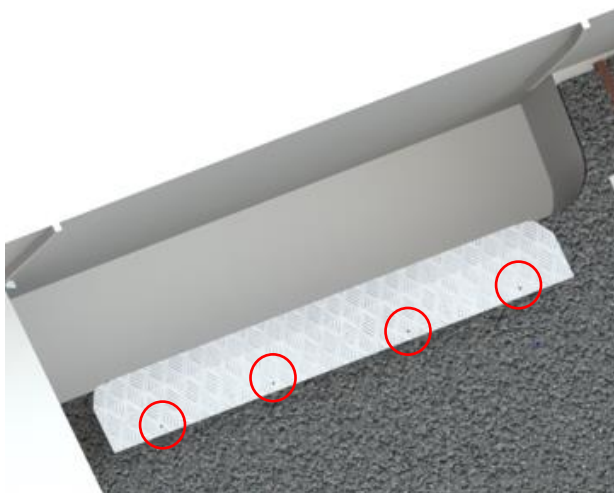


Figure 6  
 "Positioning and Fixing of the Side Sill"

Step 2: Position the Rear Sill on Legend's Floor.

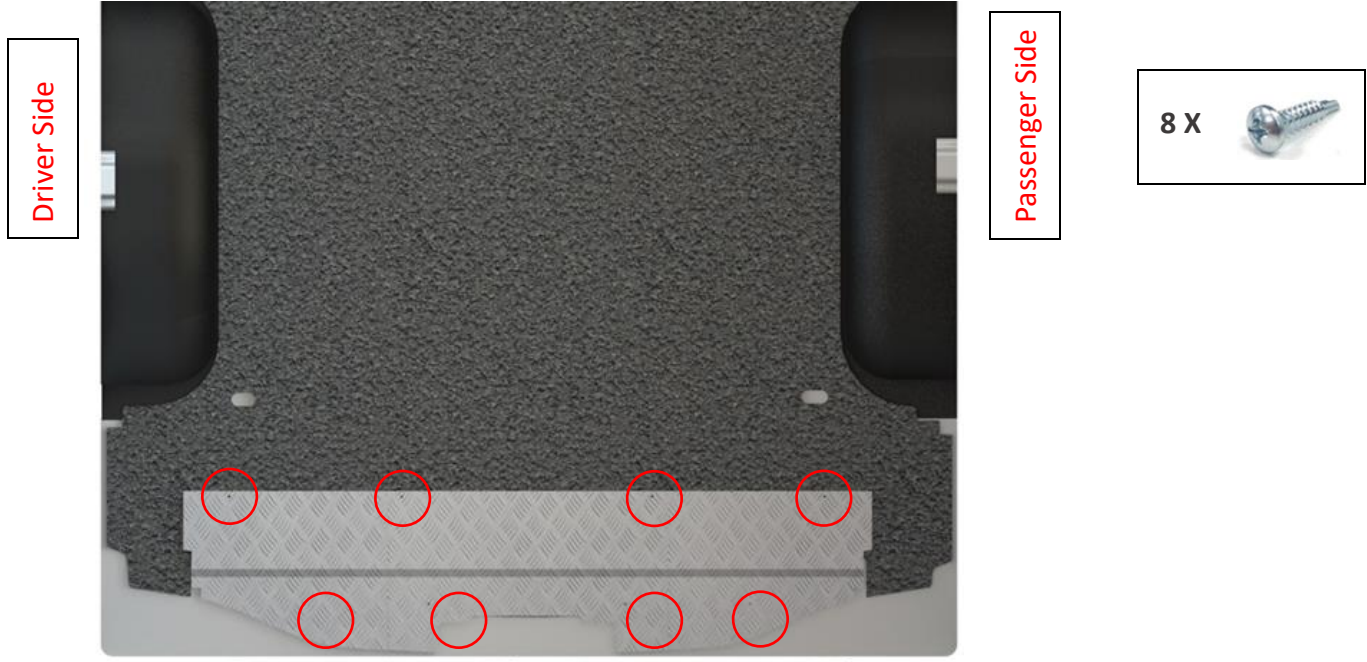


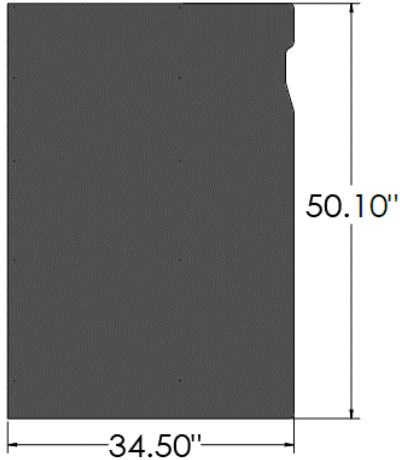
Figure 7

*"Positioning and Fixing of the Rear Sill"*

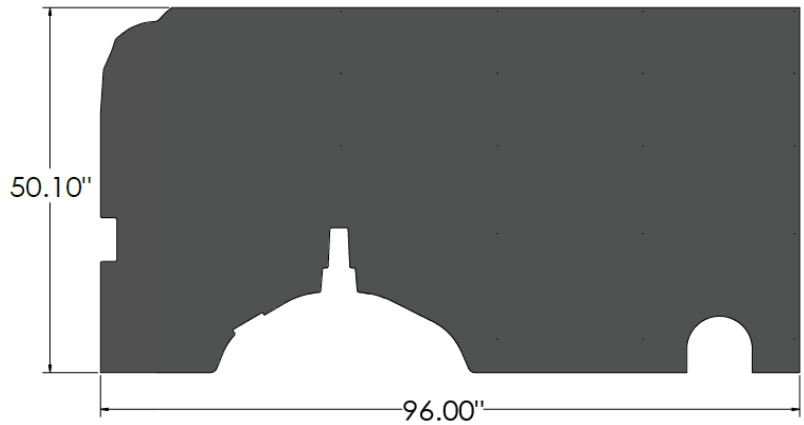


# Wall Liners

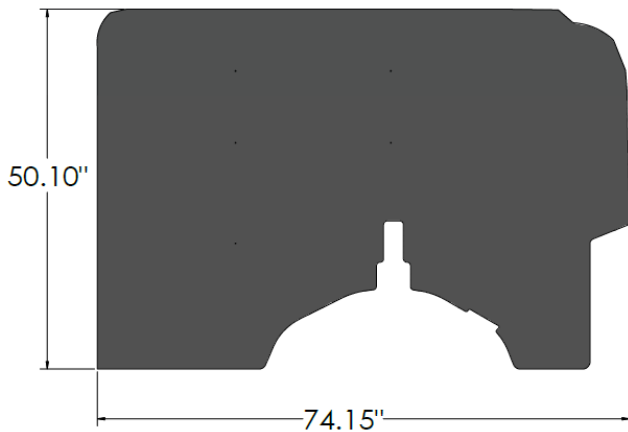
## Parts and Hardware



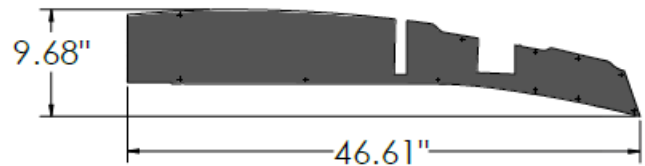
**DRIVER SIDE FRONT WALL LINER (D1A)**



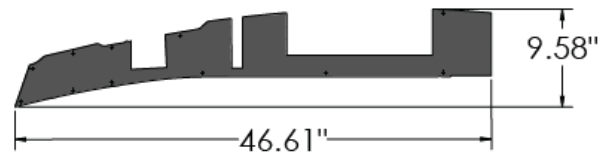
**DRIVER SIDE REAR WALL LINER (D2A)**



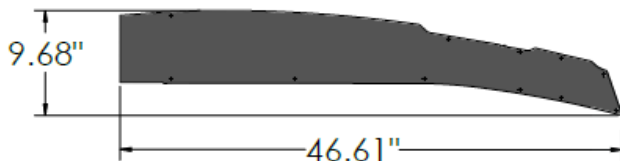
**PASSENGER SIDE FRONT WALL LINER (P1A)**



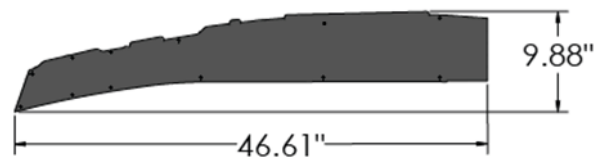
**DRIVER SIDE FRONT WALL LINER (D3A1)**



**PASSENGER SIDE FRONT WALL LINER (P2A1)**



**DRIVER SIDE FRONT WALL LINER (D3A2)**



**PASSENGER SIDE FRONT WALL LINER (P2A2)**

56 X



**SCREW CAP**

56 X



**SELF-DRILLING SCREW**

## Assembly Instructions

**Step 1:** Bring the (D1A) Liner into the vehicle and align the holes on the panel with the ones present on the vehicle's body.

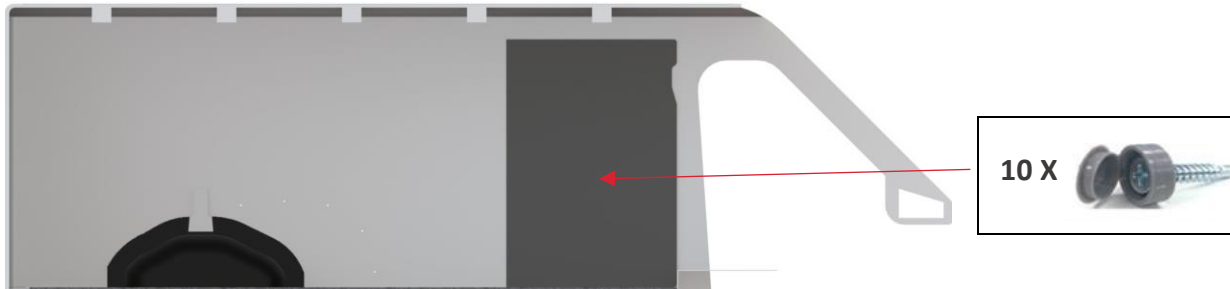


Figure 8

**Step 2:** Bring the (D2A) Liner into the vehicle and align the holes on the panel with the ones present on the vehicle's body.

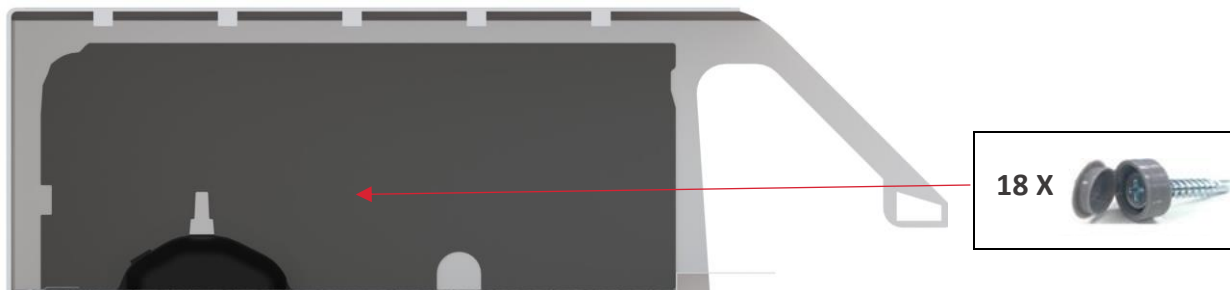


Figure 9

*"Driver Side Front & Rear Wall Liner Installed" This is view from Inside of the Van- Viewing from Passenger Side*

**Step 3:** Bring the (P1A) Liner into the vehicle and align the holes on the panel with the ones present on the vehicle's body.



Figure 10

*"Passenger Side Front Wall Liner Installed" This is view from Inside of the Van- Viewing from Driver Side*

**Step 4:** Bring the (P1A1/P2A2 & D3A1/D3A2) Liner into the vehicle and align the holes on the panel with the ones present on the vehicle's body.



Figure 11

***"Driver & Passenger Side Rear Liners (D3A1 & P2A1) are Installed"*** This is view from Inside of the Van- Viewing from Front Side

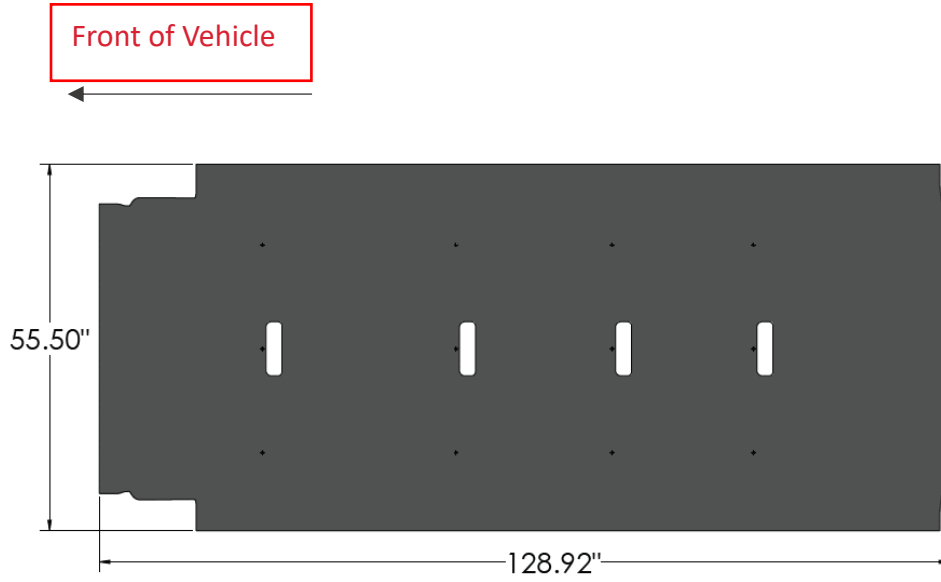


Figure 12

***"Driver & Passenger Side Rear Liners (D3A2 & P2A2) are Installed"*** This is view from Inside of the Van- Viewing from Front Side

# Ceiling Liners

## Parts and Hardware



CEILING PIECES

12 X



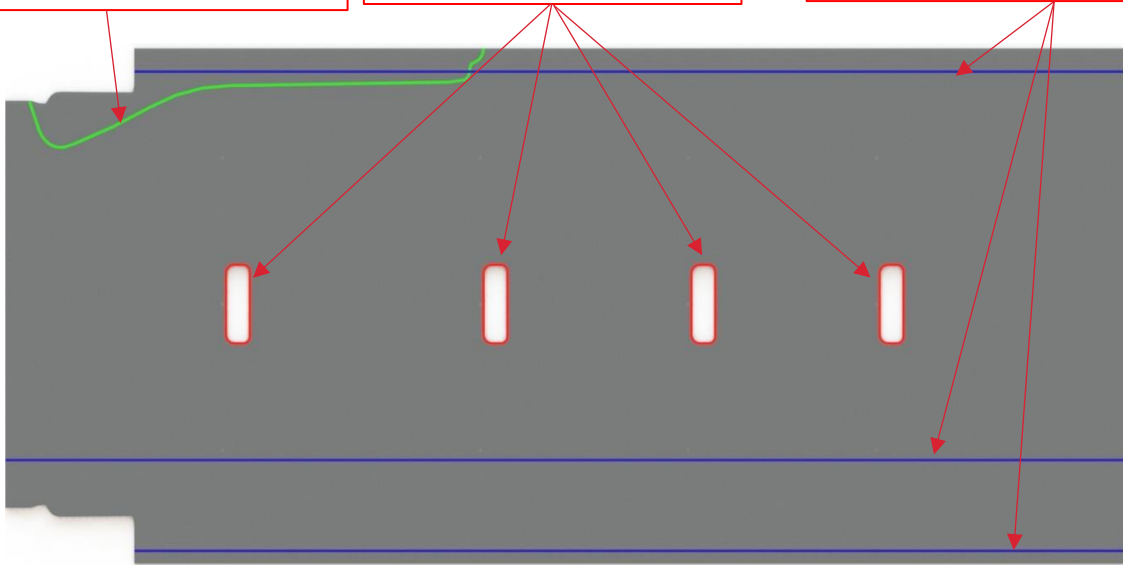
PUSH-IN RIVET

# Assembly Instructions

Cut along this score line (Shown in Green) if Foam Blocks are present behind headliner

Cut along this score line (Shown in Red) to fit around the OEM Lights

Bend the Panel along this score line (Shown in Blue) to allow the ceiling to arch along the cross



**Step 1:** Install Ceiling Piece, as shown below.

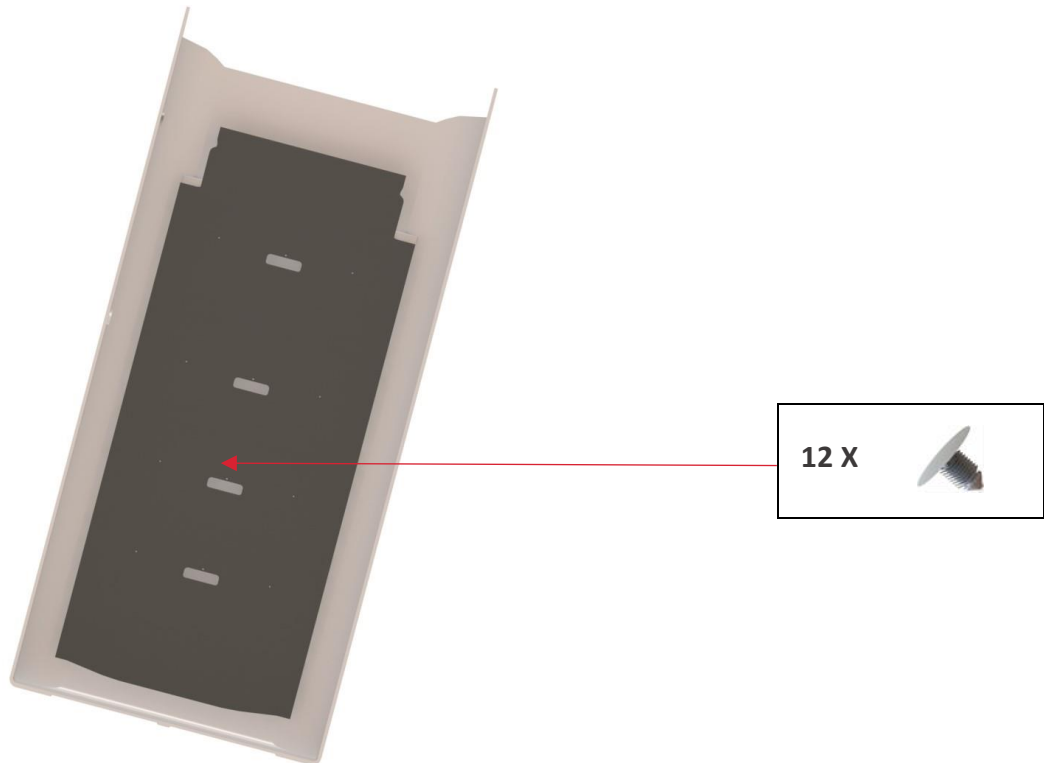


Figure 13

*"Positioning and Fixing of the Ceiling Panel" This View is from Inside of the Van*

# Top Sills

## Parts and Hardware



SILL B



SILL A



SILL C



SILL A1

DRIVER SIDE SILL

PASSENGER SIDE SILL

25 X



PAN-HEAD SCREW



## Assembly Instructions

**Assembly of the Top Sills is to be done outside of the Van before installing it in the Van.**

**Step 1:** Fasten assembled sills in the Van.

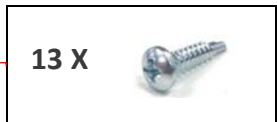
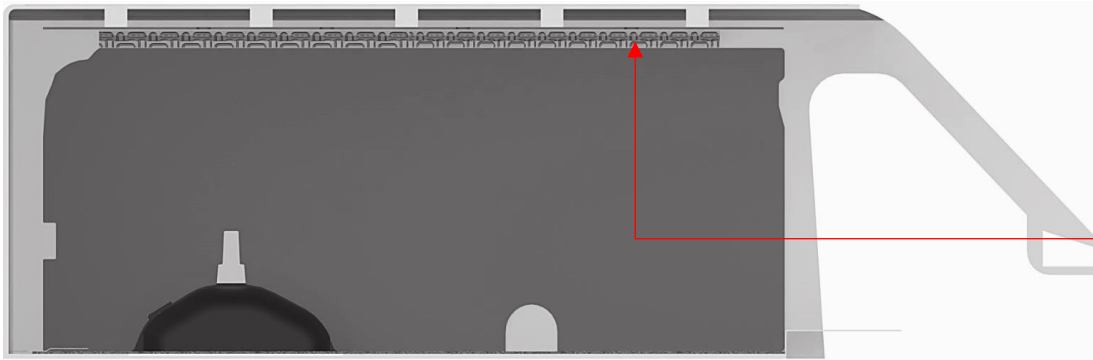


Figure 14  
"Driver side Top Sills installed"

**Step 2:** Fasten assembled sills in the Van.

**NOTE:** Sill A1 is only used with the Side Barn Doors, not used with Sliding Door.

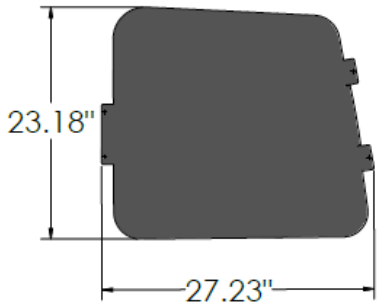


Figure 15  
"Passenger side Top Sills installed"

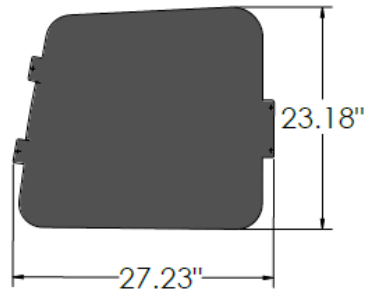
**Step 3:** Fasten assembled sills in the Van.

# Door Liners - Sliding Door

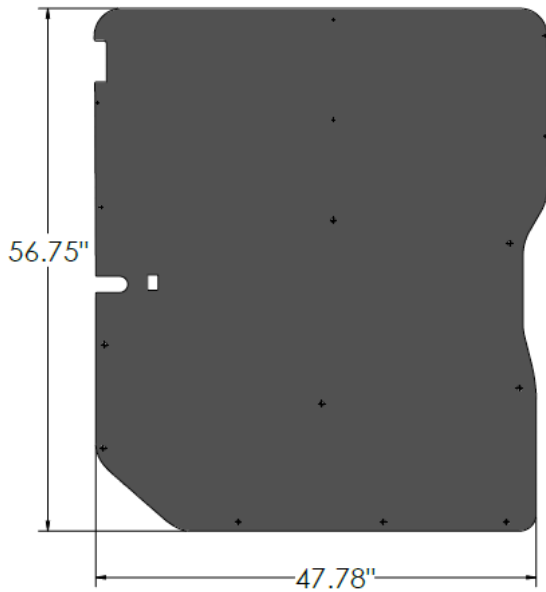
## Parts and Hardware



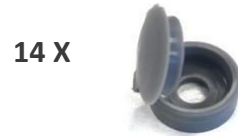
**DRIVER SIDE REAR DOOR LINER(DRA)**



**PASSENGER SIDE REAR DOOR LINER(PRA)**



**PASSENGER SIDE SLIDING DOOR LINER (PSA)**



**SCREWCAP**




**SELF-DRILLING SCREW**




**PUSH-IN RIVETS**

# Assembly Instructions

**Van Doors MUST be in close Position When Installing Door Liners.**

Hole Diameter ( $\varnothing$ ) = 0.40" = 

Hole Diameter ( $\varnothing$ ) = 0.20" = 

## Step 1: Rear Door Assembly.

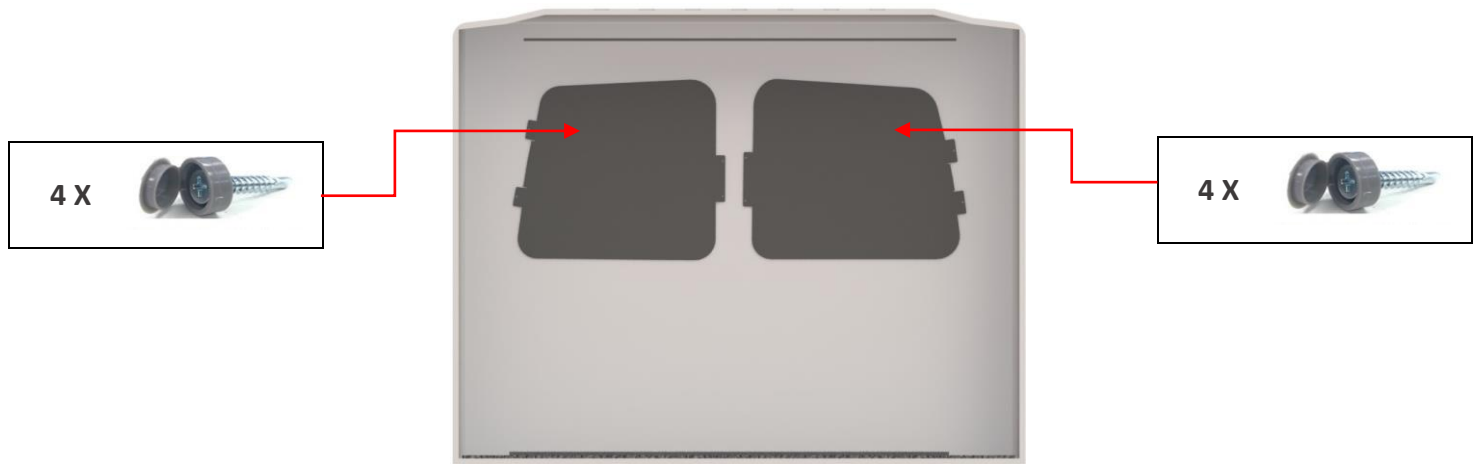


Figure 16  
"Rear Door Liners Installed"

## Step 2: Side Door Assembly.

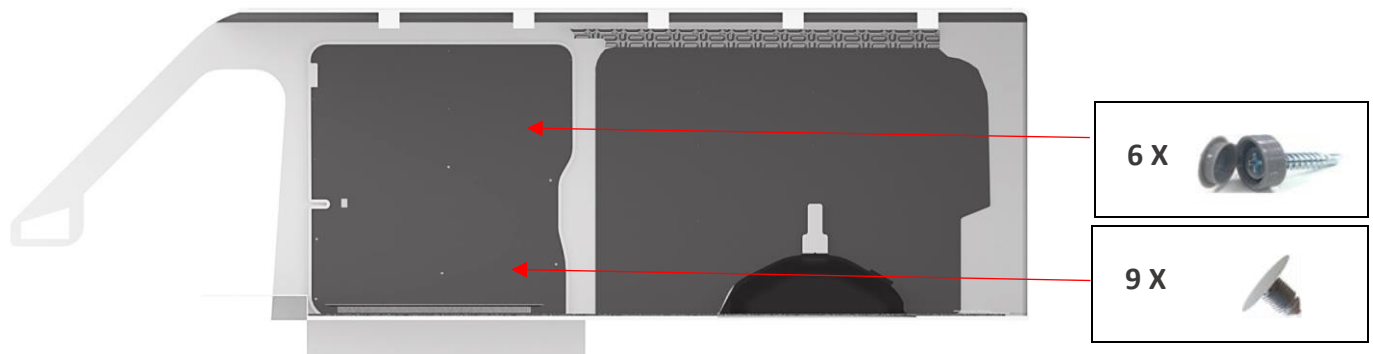
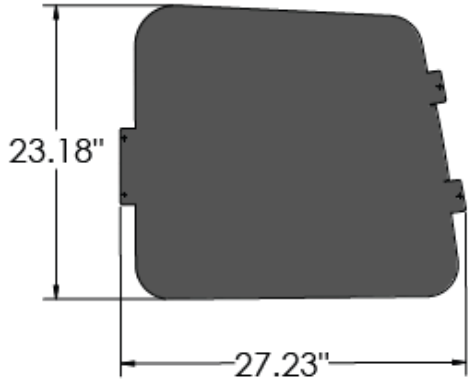


Figure 17  
"Passenger Side Sliding Door Liner Installed"

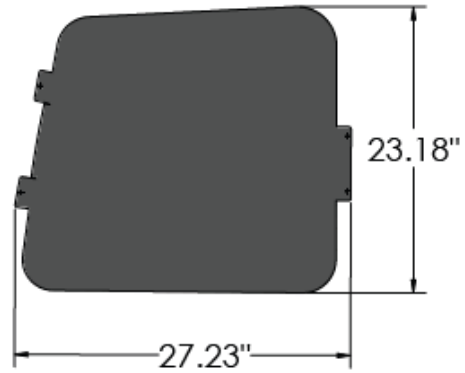
## Step 3: Installation of your Legend Door Liners is now complete.

# Door Liners - Barn Door

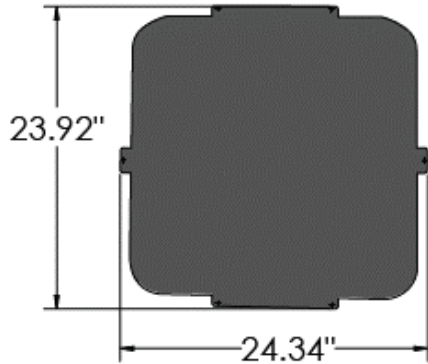
## Parts and Hardware



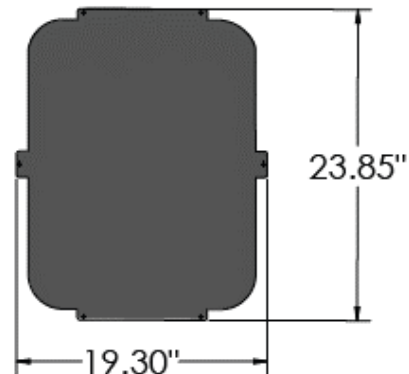
**DRIVER SIDE REAR DOOR LINER(DRA)**



**PASSENGER SIDE REAR DOOR LINER(PRA)**



**PASSENGER SIDE BARN DOOR LINER FRONT**



**PASSENGER SIDE BARN DOOR LINER REAR**

38 X



**SCREWCAP**

38 X



**SELF-DRILLING SCREW**

# Assembly Instructions

**Van Doors MUST be in close Position When Installing Door Liners.**

**Step 1: Rear Door Assembly.**

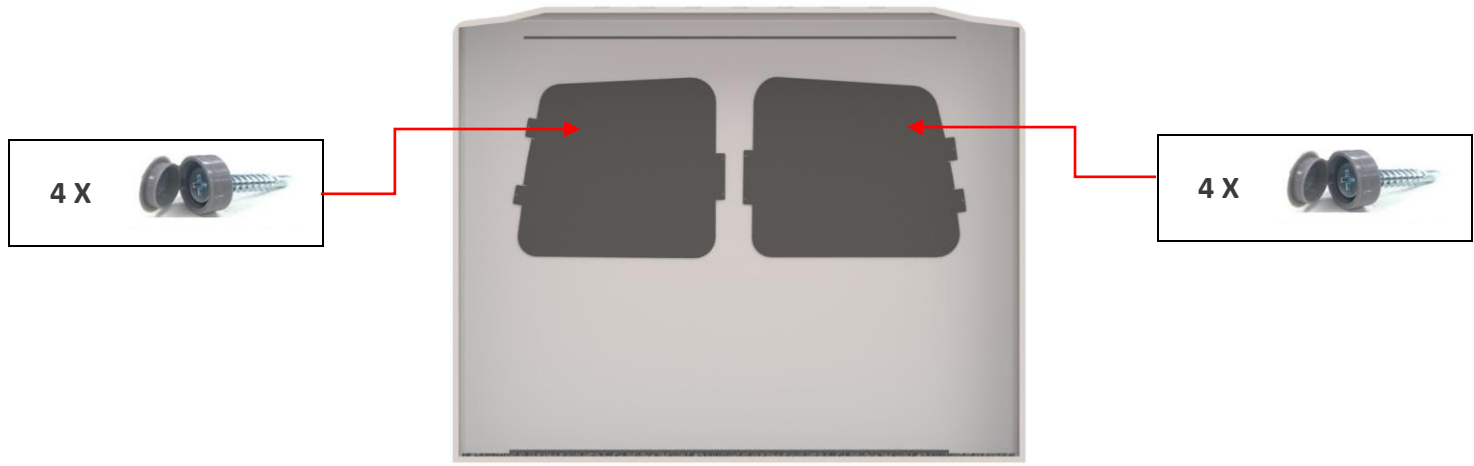


Figure 18  
"Rear Door Liners Installed"

**Step 2: Side Door Assembly.**

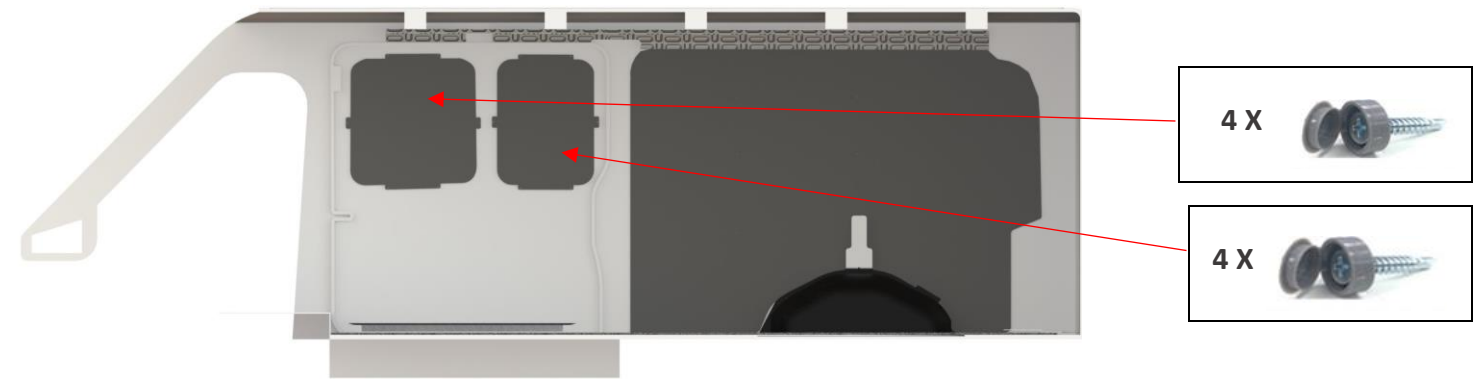


Figure 19  
"Passenger Side Barn Door Liner Installed"

**Step 3: Installation of your Legend Door Liners is now complete.**