

ASSEMBLY INSTRUCTIONS

MERCEDES METRIS EXTENDED 135''

This document presents the detailed procedures for assembling Legend Fleet components and accessories.

Customers can make use these step-by-step procedures and easily assemble without major difficulty.



LEGEND
FLEET SOLUTIONS

519 688 1043
customercare@legendfleet.com

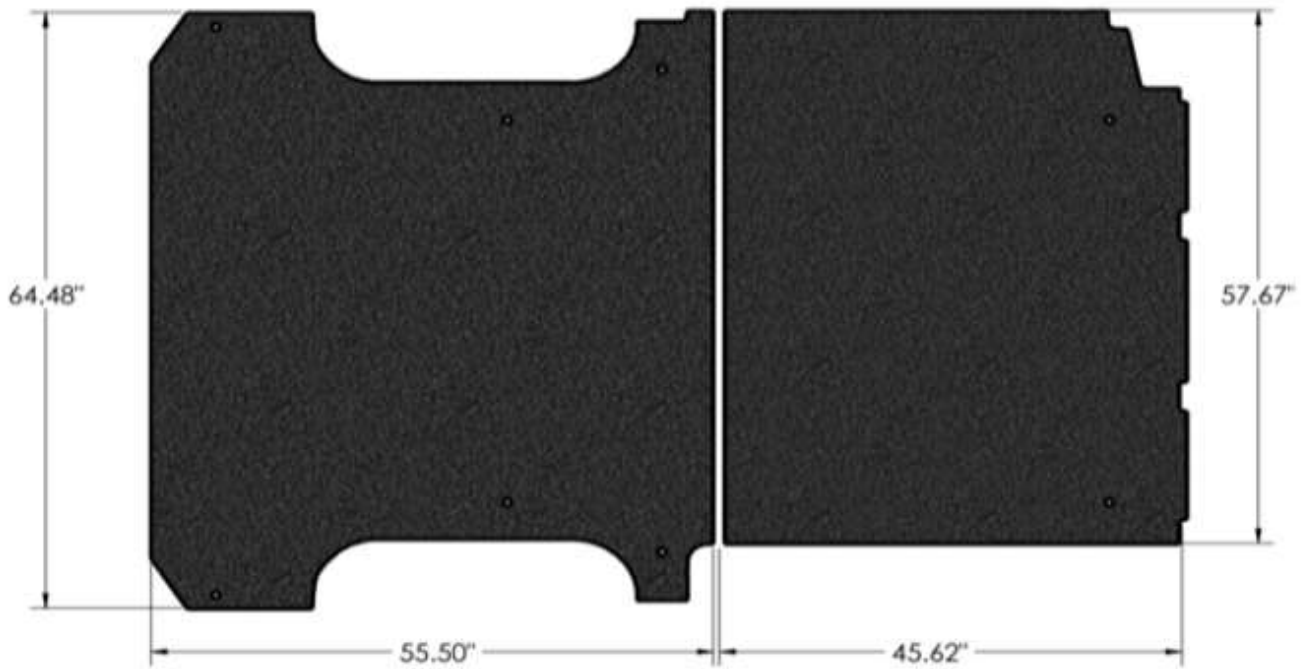
56957 HWY 3 WEST,
TILLSONBURG,
ON N4G 4G8.

Table of Contents

Floor	3
Floor Sills.....	6
Wall Liners.....	8
Ceiling Liners	11
Top Sills.....	13
Door Liners.....	15

Floor

Parts and Hardware



FLOOR PIECES



Assembly Instructions

Remove the following items before floor installation:

1. OEM Plastic Trim
2. D-Rings
3. Tie-Downs
4. Other installed parts

Apply a thin line of glue in both the grooves of the Rail Joints, that is supplied with Legend's floor.

Step 1: Install Floor Piece A, as shown below.



Figure 1

Step 2: Install the Parts in the following order after installing Floor Piece A. as shown below.

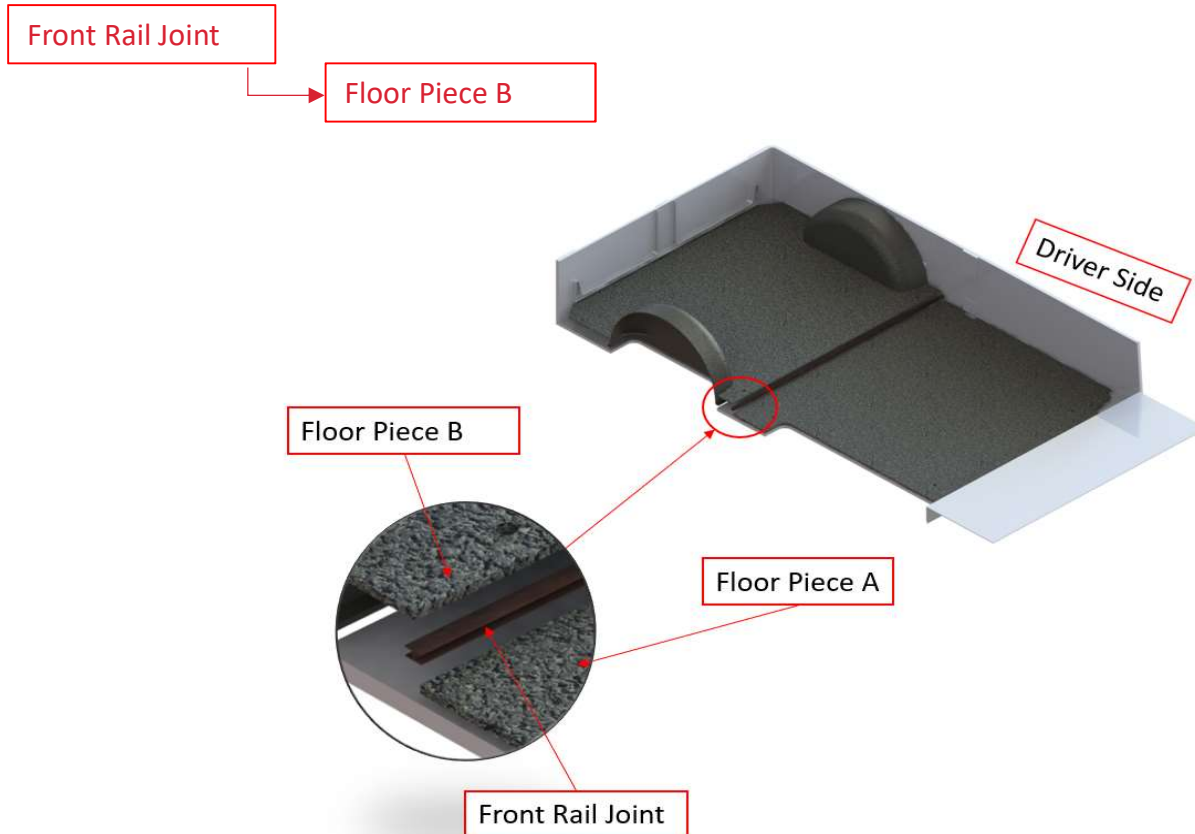
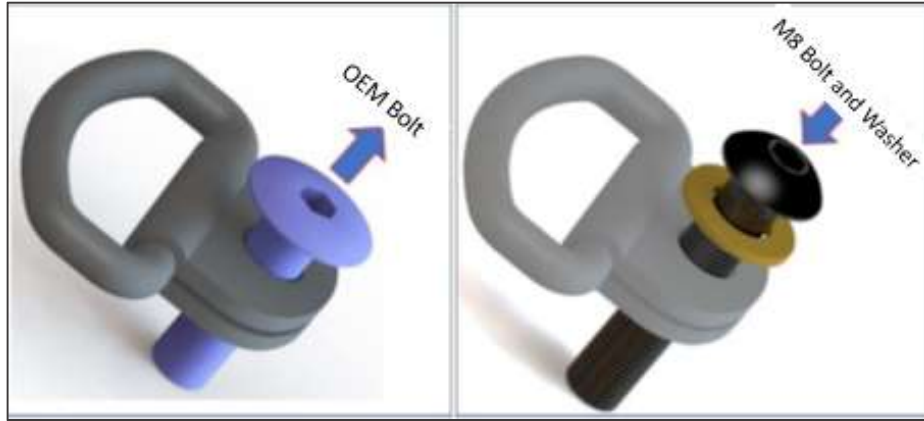


Figure 2

Step 3: Replace the OEM bolt in each D-Ring with combination of M8 Bolt and a flat washer as shown below.



Step 4: Completing the installation of your Legend Floor

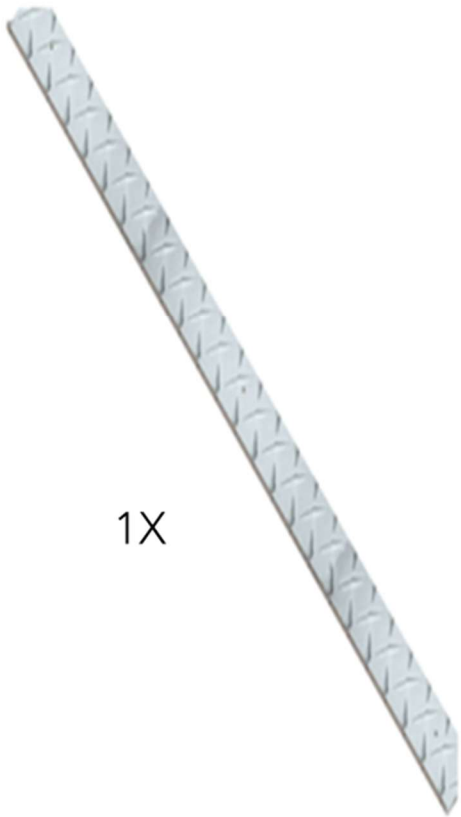


Figure 3

"Floor Installed" This view is from Inside of Van-Viewing from Top

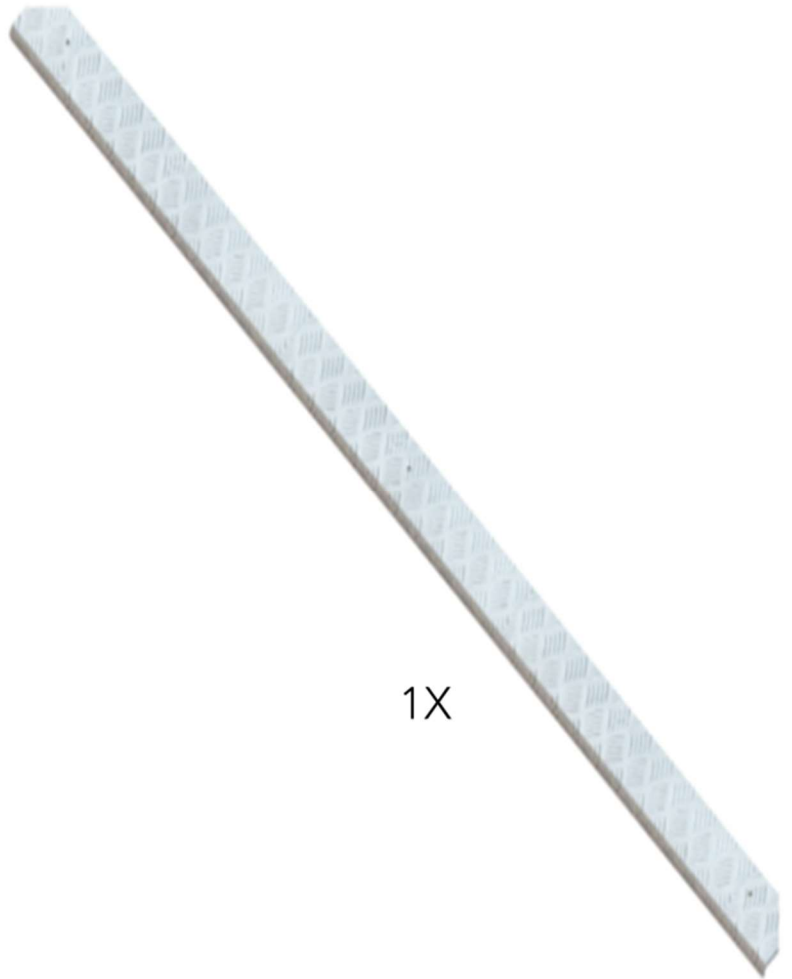
Floor Sills

Parts and Hardware



1X

SIDE DOOR SILL



1X

REAR DOOR SILL



6X

PAN-HEAD SCREW

Assembly Instructions

Step 1: Position the Side Sill on Legend's Floor. Place the Pan Head Screws (3 Nos) to the Floor as shown below

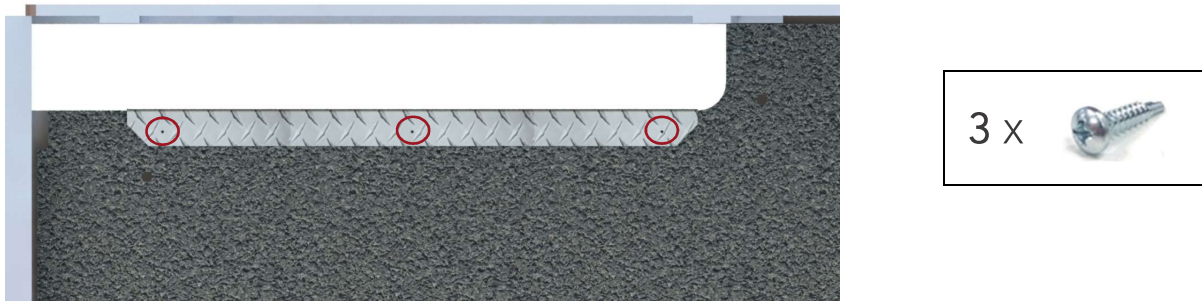


Figure 4

" Positioning and Fixing of the Side Sill"

Step 2: Position the Rear Sill on Legend's Floor.

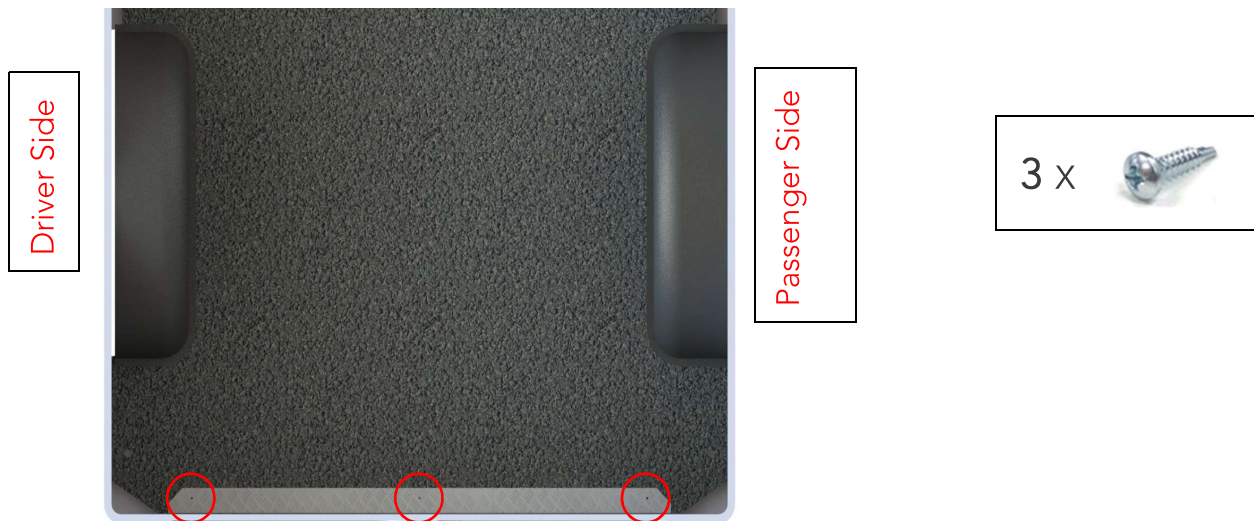


Figure 4

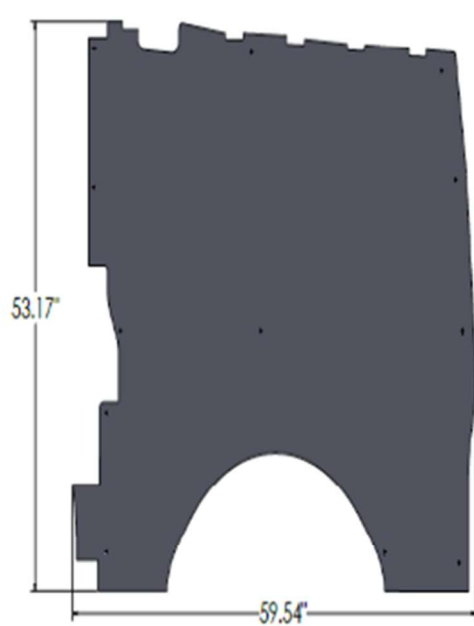
" Positioning and Fixing of the Rear Sill"

Wall Liners

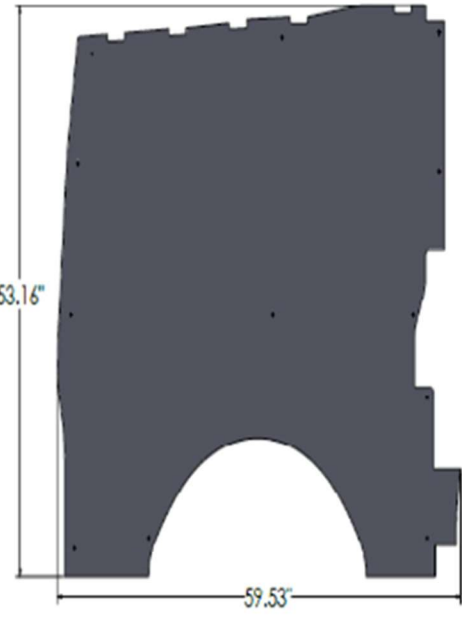
Parts and Hardware



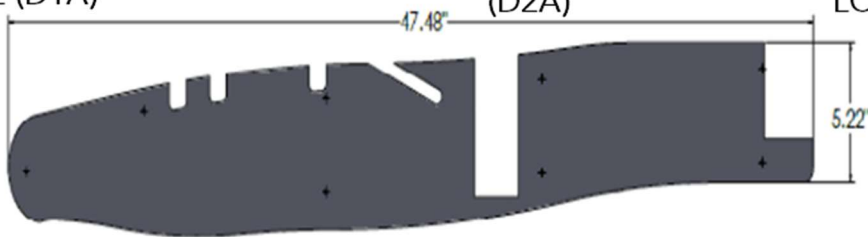
DRIVER SIDE FRONT WALL (D1A)



DRIVER SIDE REAR WALL (D2A)



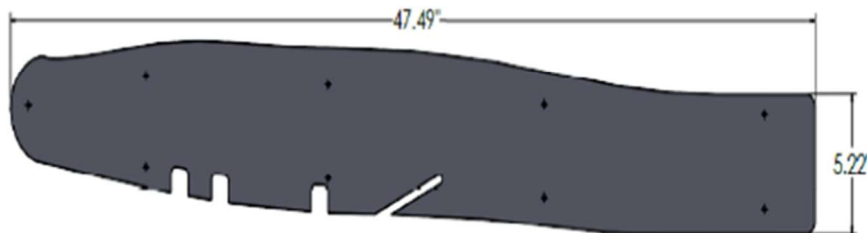
PASSENGER SIDE REAR LOWER WALL (P1A)




BACK CORNER PASSENGER SIDE PANEL (P2A)

54X 

SELF- DRILLING SCREW



BACK CORNER DRIVER SIDE PANEL (D3A)

54X 

SCREW CAP

Assembly Instructions

Step 1: Bring the (D1A) Liner into the vehicle and align the holes on the panel with the ones present on the vehicle's body.

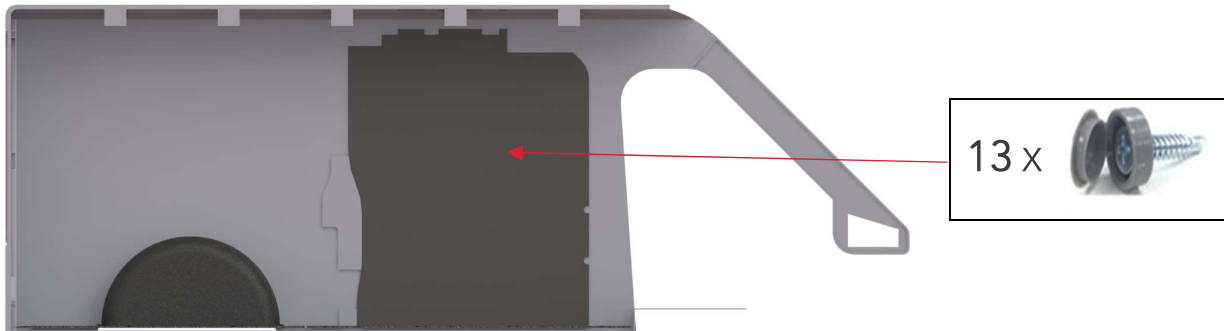


Figure 5

Step 2: Bring the (D2A) Liner into the vehicle and align the holes on the panel with the ones present on the vehicle's body.

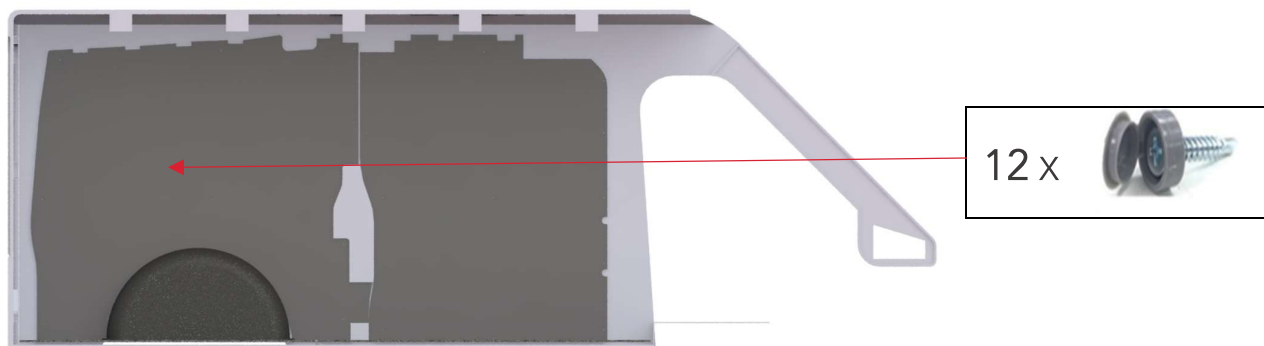


Figure 6

"Driver Side Front & Rear Wall Liner Installed" This is view from Inside of the Van- Viewing from Passenger Side

Step 3: Bring the (P1A) Liner into the vehicle and align the holes on the panel with the ones present on the vehicle's body.

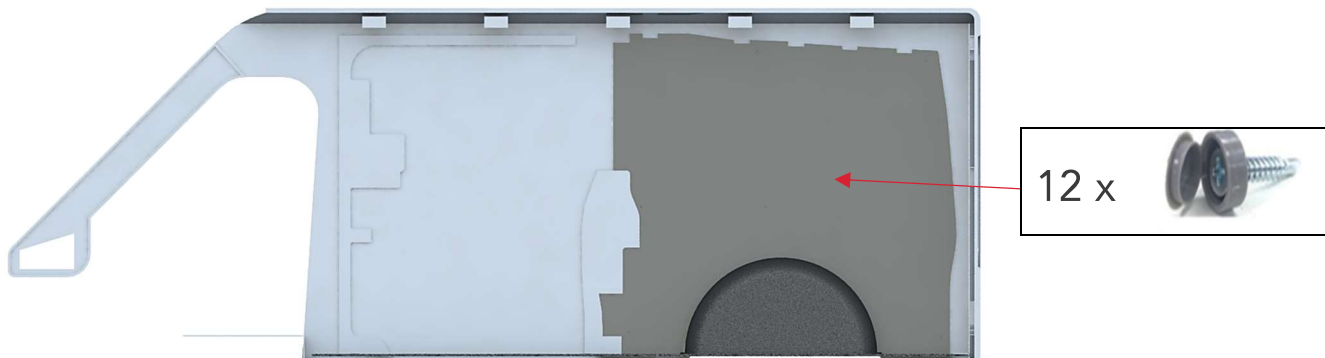


Figure 7

"Passenger Side Rear Liner Installed" This is view from Inside of the Van- Viewing from Driver Side

Step 4: Bring the (P2A & D3A) Liners into the vehicle and align the holes on the panel with the ones present on the vehicle's body.

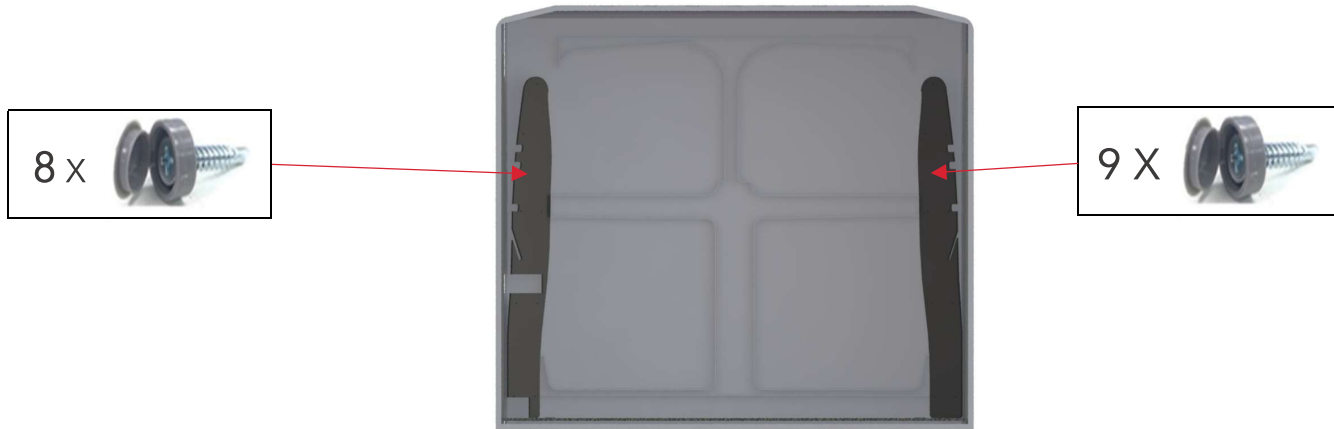


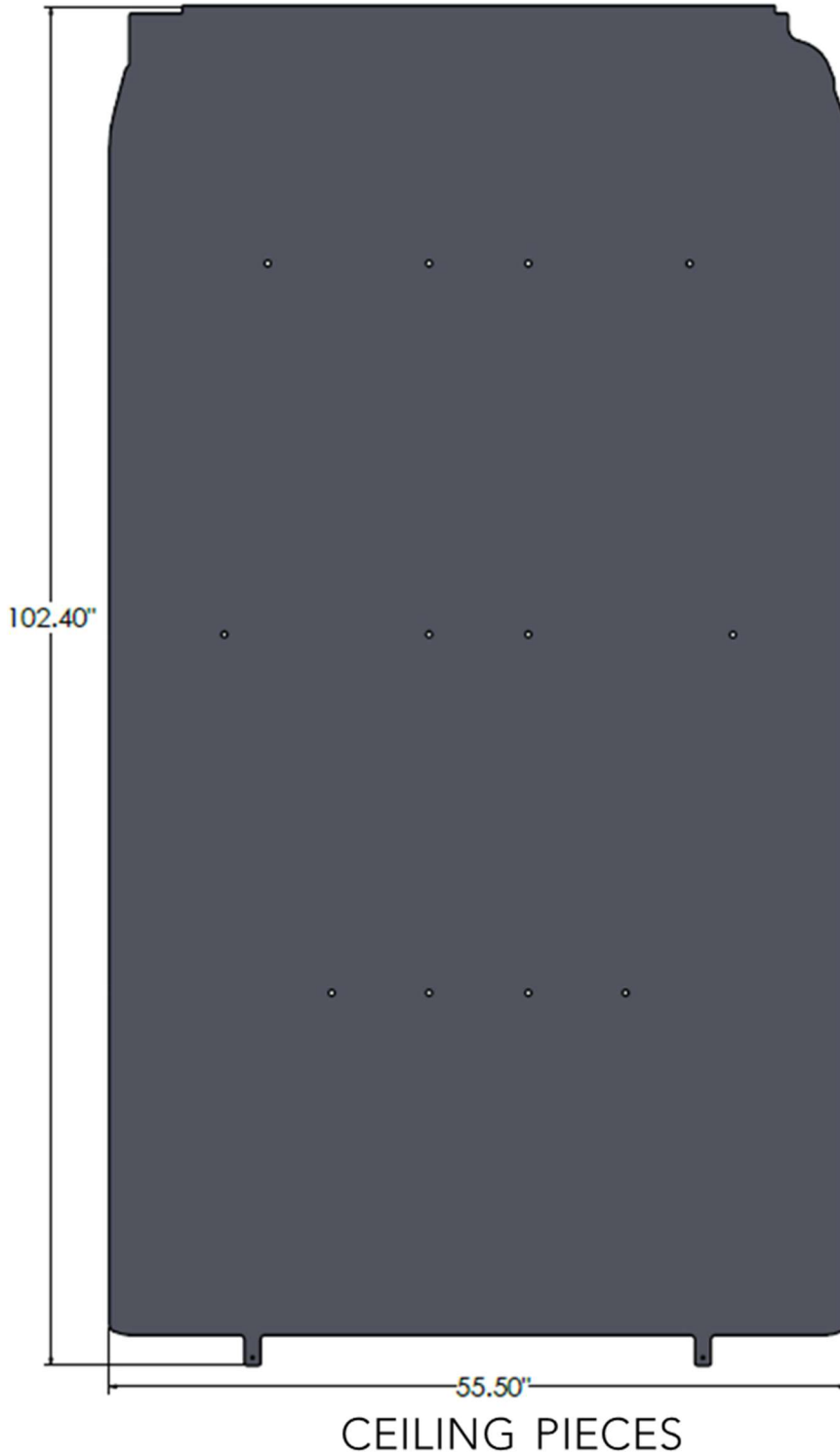
Figure 8

"Driver & Passenger Side Rear Corner Liners are Installed" This is view from Inside of the Van- Viewing from Front Side

Step 5: Installation of your Legend Wall Liners is now complete.

Ceiling Liners

Parts and Hardware



PUSH-IN RIVET



SELF- DRILLING
SCREW



SCREW CAP

Assembly Instructions

Follow the below instructions for score lines on Rear surface of Ceiling Panel

Hole Diameter (Ø) = 0.40" =



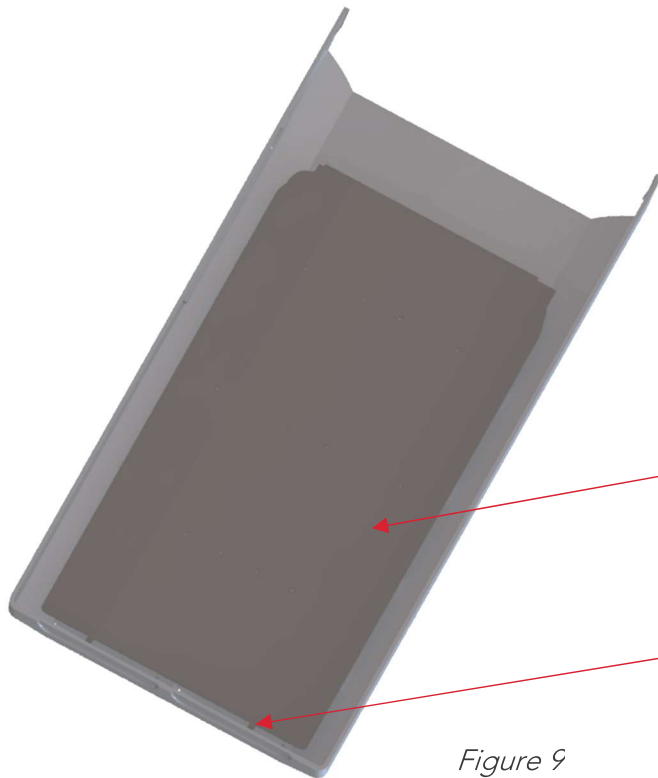
Hole Diameter (Ø) = 0.20" =



Cut along this score line (Shown in Green) if Foam Blocks are present behind headliner



Step 1: Install Ceiling Piece, as shown below.



12 x 


2 x 

Figure 9

"Positioning and Fixing of the Ceiling Panel" This View is from Inside of the Van

Step 2: This completes the installation of your Legend Ceiling Liner.

Top Sills

Parts and Hardware

1X



PASSENGER SIDE SILL

1X



DRIVER SIDE SILL

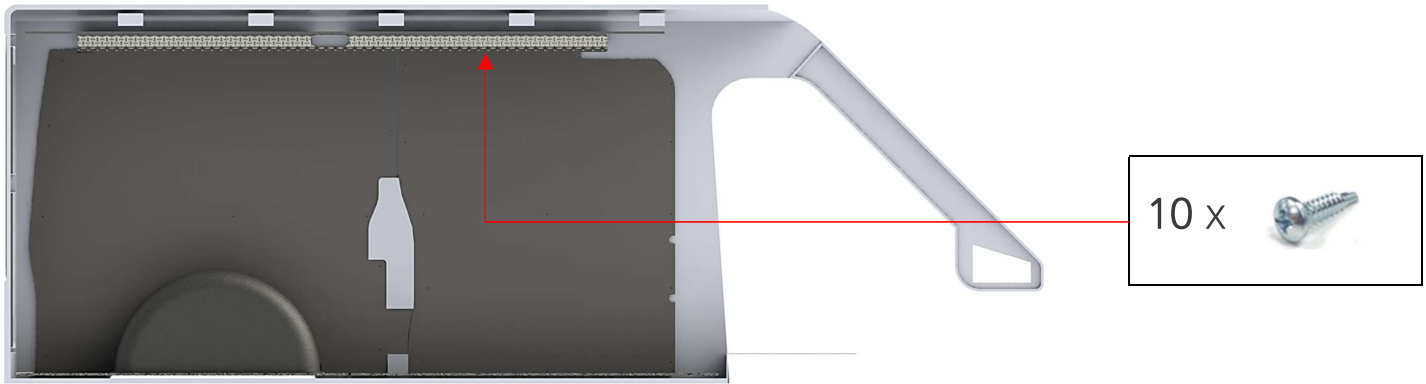
20X



PAN-HEAD SCREW

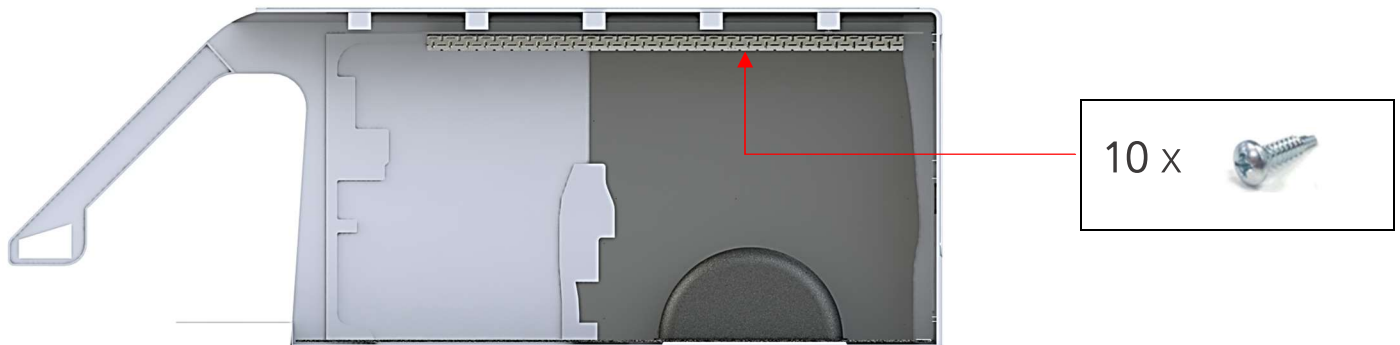
Assembly Instructions

Step 1: Fasten assembled sills in the Van.



*Figure 10
"Driver side Top Sills installed"*

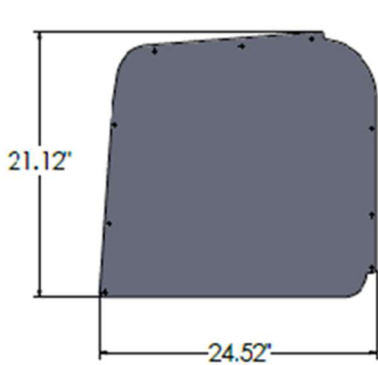
Step 2: Fasten assembled sills in the Van.



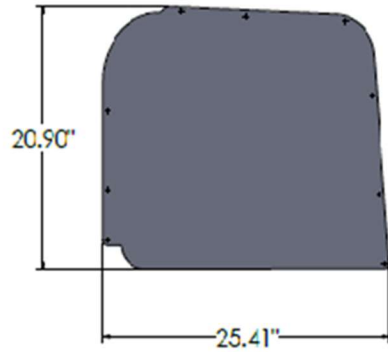
*Figure 11
"Passenger side Top Sills installed"*

Door Liners

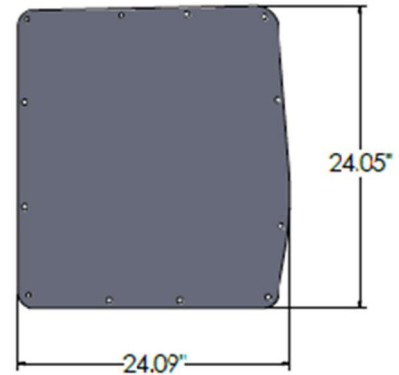
Parts and Hardware



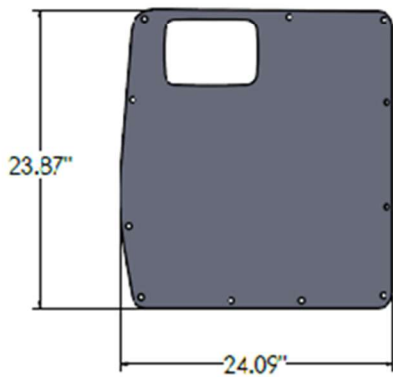
PASSENGER SIDE REAR DOOR LINER (PRB)



DRIVER SIDE REAR DOOR LINER (DRB)



DRIVER SIDE REAR DOOR LINER 2 (DRA)



PASSENGER SIDE REAR DOOR LINER 2 (PRA)

20 X



SCREW CAP

20 X

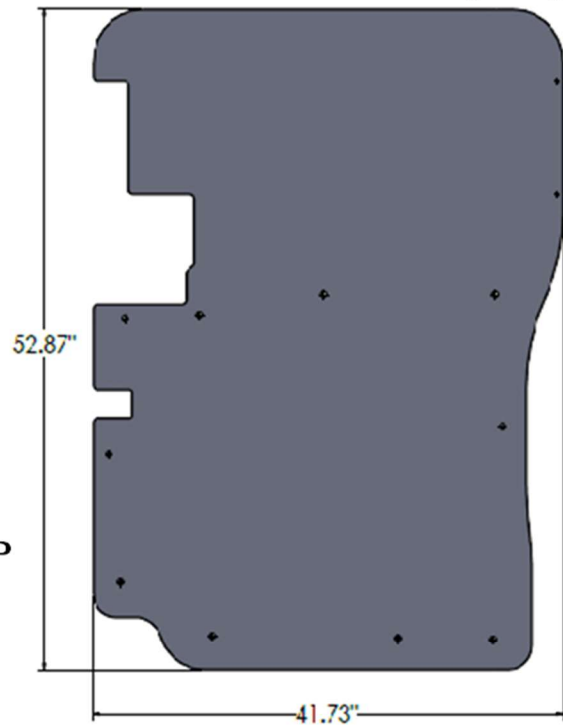


SELF- DRILLING SCREW

34 X




PUSH-IN RIVET




PASSENGER SIDE SLIDING DOOR LINER 2 (PSA)

Assembly Instructions

Van Doors MUST be in close Position When Installing Door Liners.

Hole Diameter (\varnothing) = 0.40" = 

Hole Diameter (\varnothing) = 0.20" = 

Step 1: Rear Door Assembly.

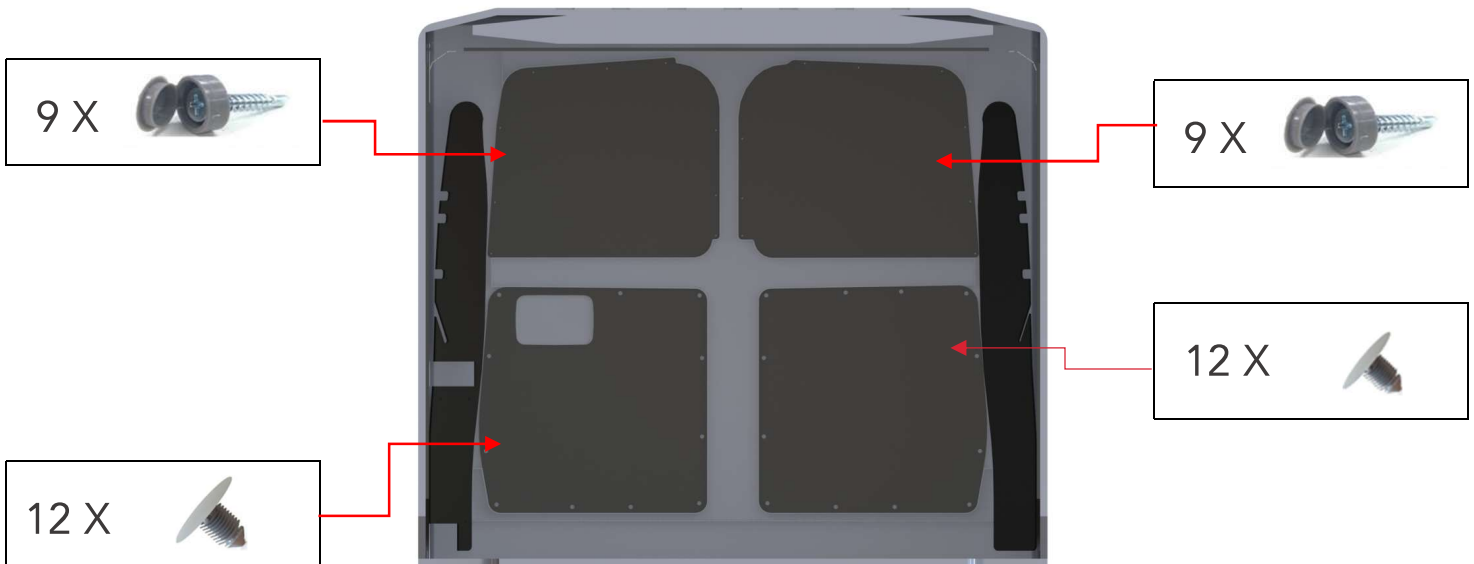


Figure 12
"Rear Door Liners Installed"

Step 2: Side Door Assembly.

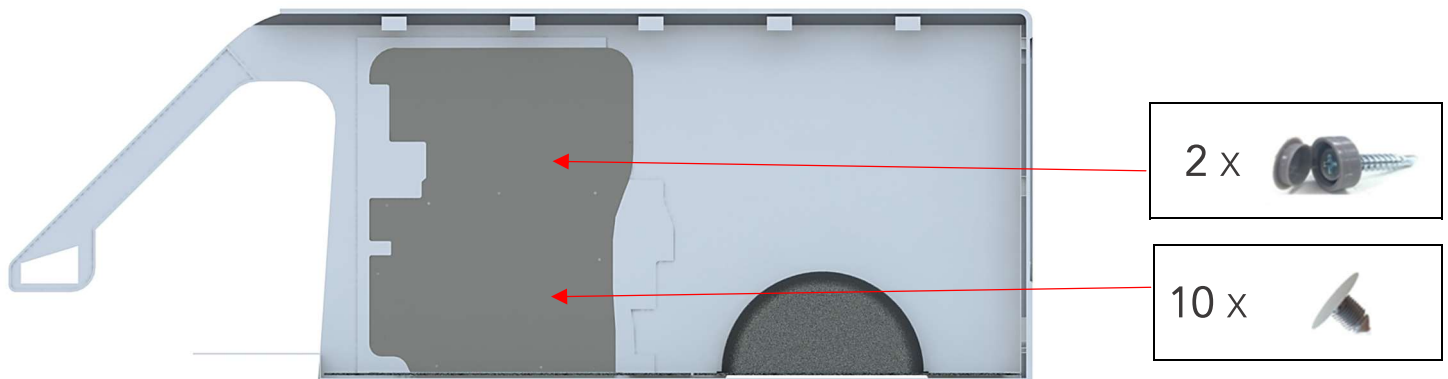


Figure 13
"Passenger Side Sliding Door Liner Installed"

Step 3: Installation of your Legend Door Liners is now complete.