

241

Product description:

Door-combined step for mounting under the vehicle floor

Type: X3

Vehicle type:

Fiat Ducato

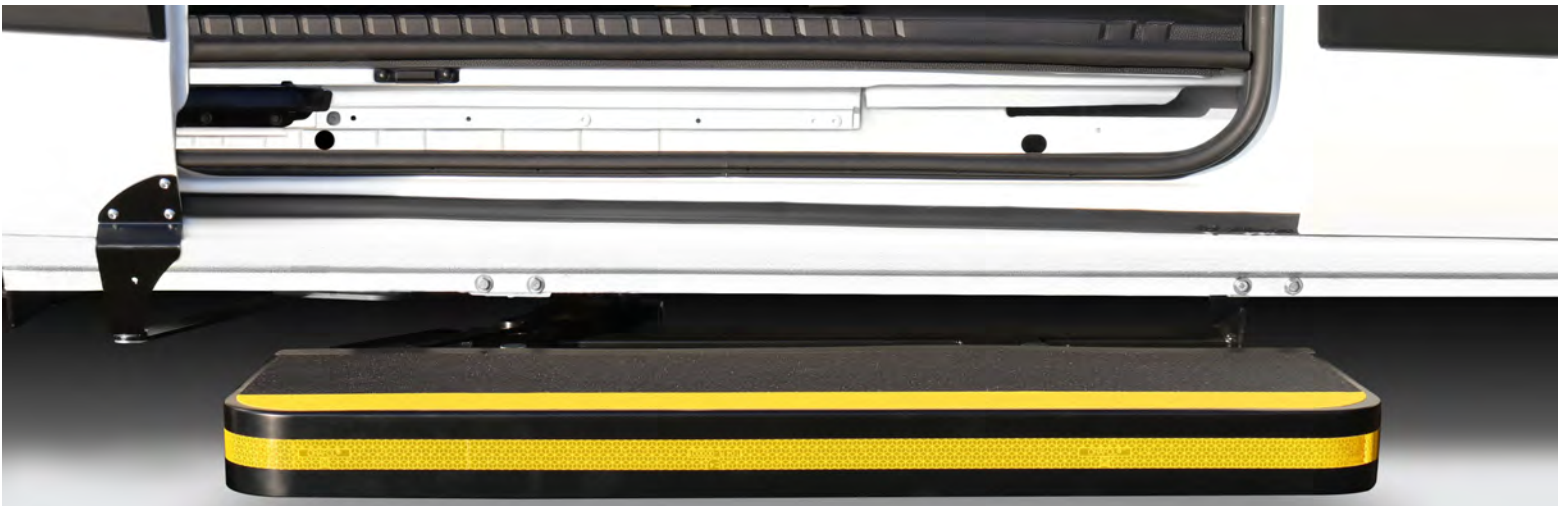
New item no:

101310

Old item no:

X3-1000FD.1

Assembly instructions



Assembly time:
approx. 2 h



Load capacity:
350 kg

Technical data:

- Weight: approx. 22.5 kg (without installation kit)
- Slip resistance R13 according to DIN 51130
- Legislation: The product complies with the conditions of Directive 2006/42/EC ("Machinery Directive").



Steps



Protection



Ramps



Safety



Roof Rack

FOREWORD

Dear Reader,

These operating instructions provide all the information required for safe operation of the combined door step. The combined door step has been designed and built according to the current state of the art and the recognised safety rules. Nevertheless, hazards to persons or property may occur because not all danger points can be avoided if the functionality is to be maintained. However, accidents due to these dangers can be prevented by following these operating instructions.

These operating instructions only apply to the step specified on the cover sheet and in the footers. Please compare this information with the information on the type plate. After working through these operating instructions for the first time, keep them in a safe place for the entire service life of the door combination step. If you sell the step, pass the operating instructions on to the next owner. All information, illustrations and dimensions in these operating instructions are non-binding. No claims of any kind can be derived from them. Reprinting and reproduction of any kind, including excerpts, require the written permission of the manufacturer. Conversion or modifications of the door-combined step are only permitted with the written approval of the manufacturer.

In case of unauthorised modification, any liability of the manufacturer as well as the warranty are void. Only use original spare parts and accessories approved by the manufacturer. Otherwise, the design properties of the combined door step, its functionality or safety may be impaired. The use of other parts therefore cancels the liability for the resulting consequences.

CONTENTS

FOREWORD.....	2
CONTENT.....	3
1. SAFETY	4
1.1 HAZARD WARNINGS	4
1.2 INTENDED USE	4
1.3 LIMITATIONS	4
1.4 SAFETY REGULATIONS	4
2. STEP.....	5
2.1 DESCRIPTION	5
2.2 CONSTRUCTION	5
2.3. VEHICLE-SPECIFIC MOUNTING KIT.....	6
2.3.1 DESCRIPTION	6
2.3.2 OVERVIEW ASSEMBLY SET FIAT DUCATO	6
2.3.3 OVERVIEW DOOR MOUNTING KIT FIAT DUCATO (160-13-003AD.1)	7
2.3.4 OVERVIEW ASSEMBLY KIT FIAT DUCATO (160 -13-015AD.1)	8
3. ASSEMBLY	9
3.1 MOUNTING ON BODY	9
3.2 MOUNTING ON SLIDING DOOR	12
4. USE OF STEP	16
5. CARE	16
6. DISPOSAL	16
7. CUSTOMER SERVICE	16

1. SECURITY

1. HAZARD WARNINGS

During installation, operation and maintenance of the combined door step, there are various risks of injury and damage to property. It is therefore essential that you read these operating instructions carefully before installation and operation. In addition to the safety instructions in this manual, observe the statutory regulations, in particular the safety and accident prevention regulations.

2. use in accordance with the regulations

The door-combined step is used to make it easier for people to get in and out of a vehicle.

3. RESTRICTIONS

The step has been designed to be functional and reliable. The product has been designed to be as simple and reliable as possible. Consideration has been given to the possibility of the step being installed under a vehicle operating in extreme environmental conditions.

4. SAFETY REGULATIONS

These safety instructions must always be kept with the step. The operator's attention must be drawn to them before operating the step. Read these safety instructions carefully and observe them. The step is designed as an extra step for entering the vehicle. The weight of the passenger must not exceed the maximum load.

1. Before operating the step, the vehicle must be stationary. Make sure that the handbrake is applied or the parking brake is engaged.
2. Regularly check the step for external damage and tight fit.
3. Before operating the step, make sure that there is no person or obstacle near the step. Make sure that there is no person or obstacle outside the vehicle in the direction of movement of the step.
4. It is recommended that the step be operated only by the driver or another qualified operator.
5. The driver or operator must have an unobstructed view of the step when operating it.
6. It is recommended to step on the middle of the step.
7. The step must be kept clean and free from oil and other slippery substances.
8. If you have any doubts about a passenger's safety when stepping on the step, help them.
9. Never use the step for any purpose other than that described here.
10. If you have any questions about the safe operation of the step, please contact the responsible persons directly.
11. Never overload the step
12. Always operate the step until it is fully retracted or extended.
13. Repair and maintenance work must only be carried out by qualified and trained personnel.
14. Only use original spare parts if parts of the stage have to be replaced.
15. If the anti-slip profile of the step becomes slippery due to wear, the step must be replaced.
16. Report to the step supplier any sources of danger that you notice in relation to the step or in its operation.
17. Before each journey, check that the step is retracted.
18. When extending and retracting the step, no persons may be on it.
19. During transport and assembly there is a risk of jamming/crushing. Therefore, secure the step with suitable aids during transport.

2. STEP

1. DESCRIPTION

The step is automatically extended when the side door is opened. This is achieved by a mechanical connection between the step and the sliding door. During the journey, it is retracted under the vehicle and protects the mechanism from external influences. The step has a non-slip surface. To increase the safety, it is equipped with rounded outer edges.

2. CONSTRUCTION

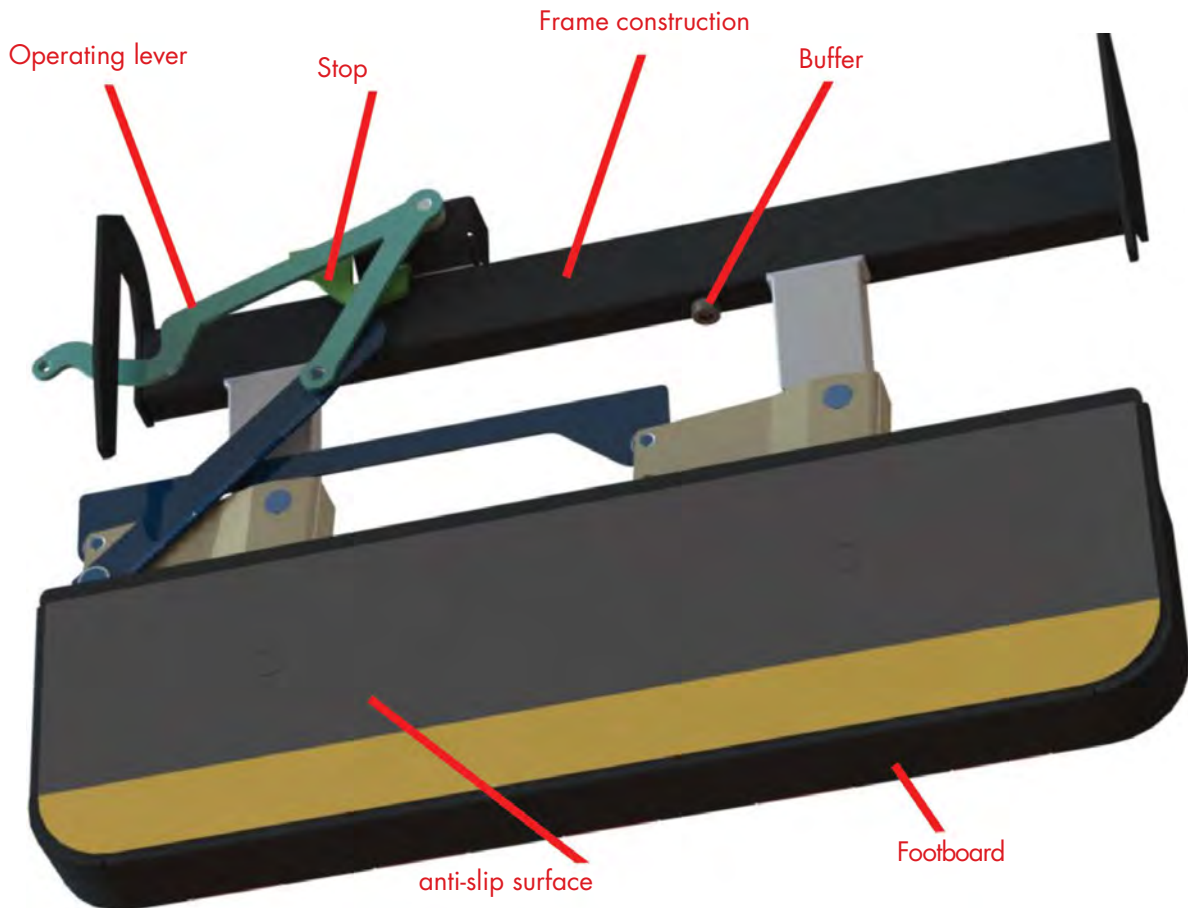


FIGURE 1: STRUCTURE OF THE TREAD

3. VEHICLE-SPECIFIC MOUNTING KIT

1. DESCRIPTION

For each step, you receive a vehicle-specific installation set that is optimally matched to the respective vehicle.

This set consists of one door mounting set and one assembly set.

- Mounting kit = fastening of the step to the vehicle floor
- Door mounting = connection of the operating lever of the step to the sliding door of the vehicle

2.3.2 OVERVIEW ASSEMBLY SET FIAT DUCATO

- Article: FFD 8000AD.1

FFD 8000AD.1 consists of the door mounting kit 160-13-003AD.1 and the assembly kit 160-13-015AD.1.



FIGURE 2: DOOR MOUNTING KIT FIAT DUCATO(160-13-003AD.1)



FIGURE 3: ASSEMBLY KIT FIAT DUCATO (160-13-015AD.1)

2.3. VEHICLE-SPECIFIC MOUNTING KIT

2.3.3. OVERVIEW DOOR MOUNTING KIT FIAT DUCATO (160-13-003AD.1)

Pos	Article	Description	Number of pieces
1	2950 0179	Connecting strip	1
2	MCM 25 03	Clip bearing	2
3	2950 0170	Centring piece	2
4	2950 0155	Connection plate	1
5	DIN 7991 - M6X20-10.9 VZ	Countersunk screw ISK	2
6	DIN 126-6.6 ST-VT	Washer	3
7	DIN 985-M6 VZ	Hexagon nut flat shape	5
8	ISO 7380 - M6 x20 - 20N	Flat head screw ISK	3

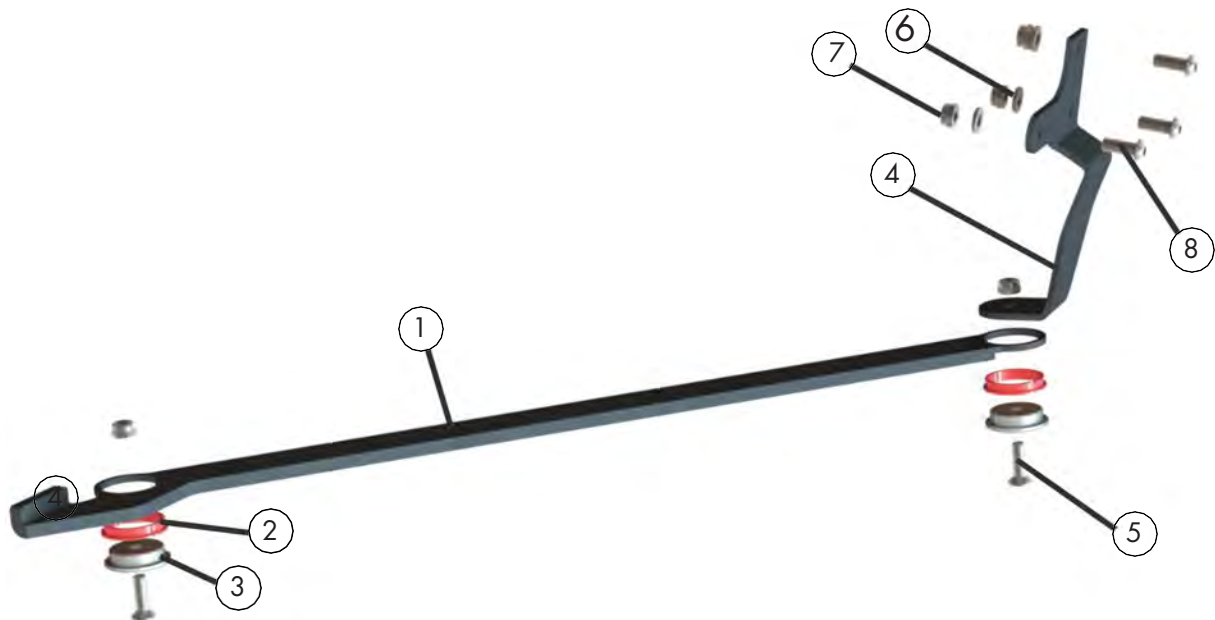


FIGURE 4: DOOR MOUNTING KIT FIAT DUCATO "EXPLOSION"

2.3. VEHICLE-SPECIFIC MOUNTING KIT

2.3.4 OVERVIEW ASSEMBLY KIT FIAT DUCATO (160-13-015AD.1)

Pos	Article	Description	Number of pieces
1	2950 0205	Mounting bracket	2
2	2950 0182	Clamping plate	2
3	2950 0153	Mounting bracket	2
4	DIN 933-M8X130-8.8 VZ	Hexagon head screw	2
5	DIN 9021-8.4-ST VZ	Washer	2
6	DIN 9021-6.4-ST VZ	Washer	4
7	DIN 985-M10 VZ	Hexagon nut self s.	12
8	DIN 985-M8-8 VZ	Hexagon nut self s.	4
9	DIN 933-M8X25-8.8 VZ	Hexagon head screw	10
10	DIN 933-M6X20-8.8 VZ	Hexagon head screw	4

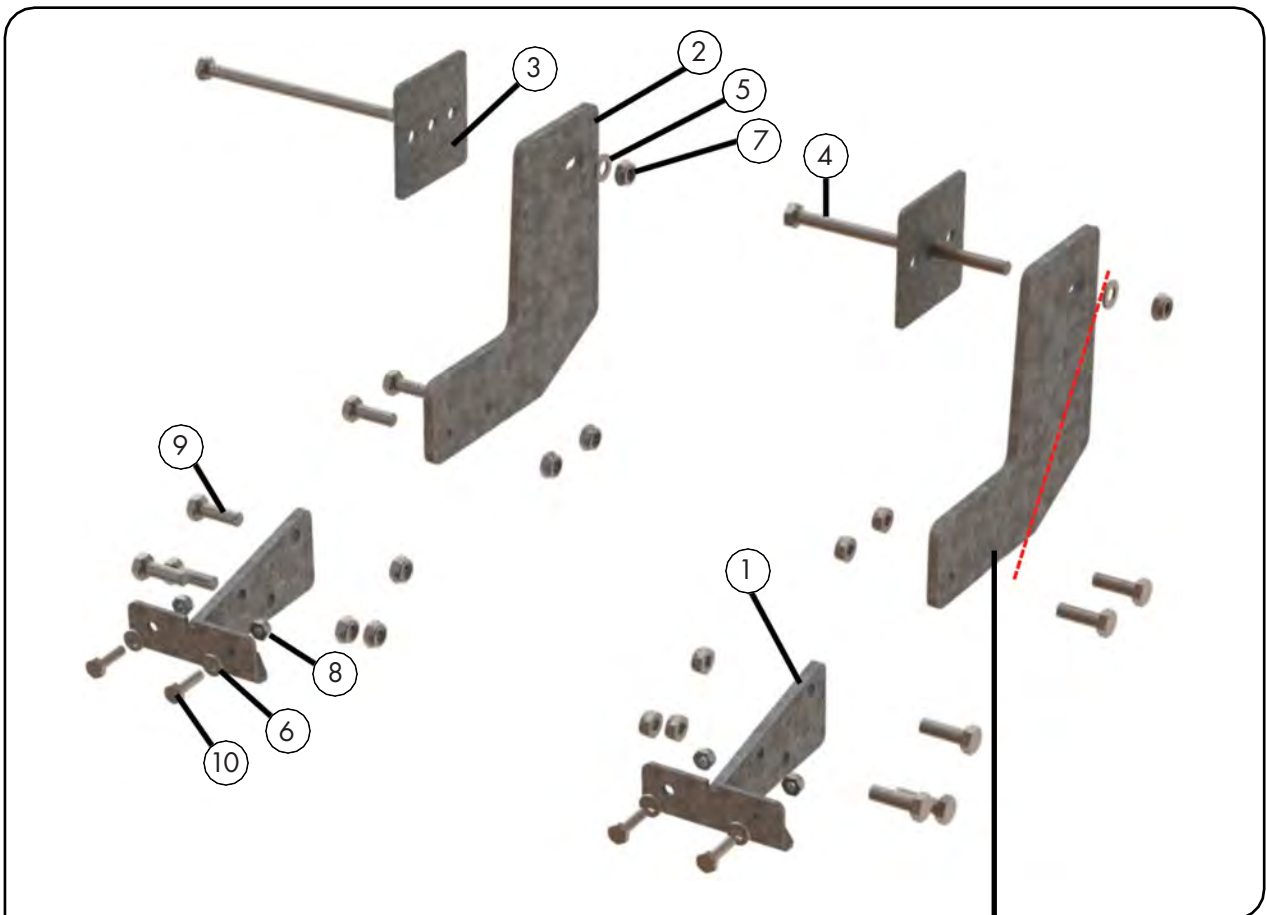


FIGURE 5: FIAT DUCATO "EXPLOSION" ASSEMBLY KIT

On vehicles with a Euro6 exhaust system, the large right-hand bracket next to the catalytic converter must be cut off at an angle. This has already been done at the factory on the latest kits.

3. ASSEMBLY

1. MOUNTING ON CAR BODY

Mounting the combined door step to the vehicle body using the supplied mounting kit

Mounting the door-combined step to the vehicle body using the supplied mounting kit (compare chapter 2.3.4 "Overview of mounting kit Fiat Ducato").

1. pre-assembly stage

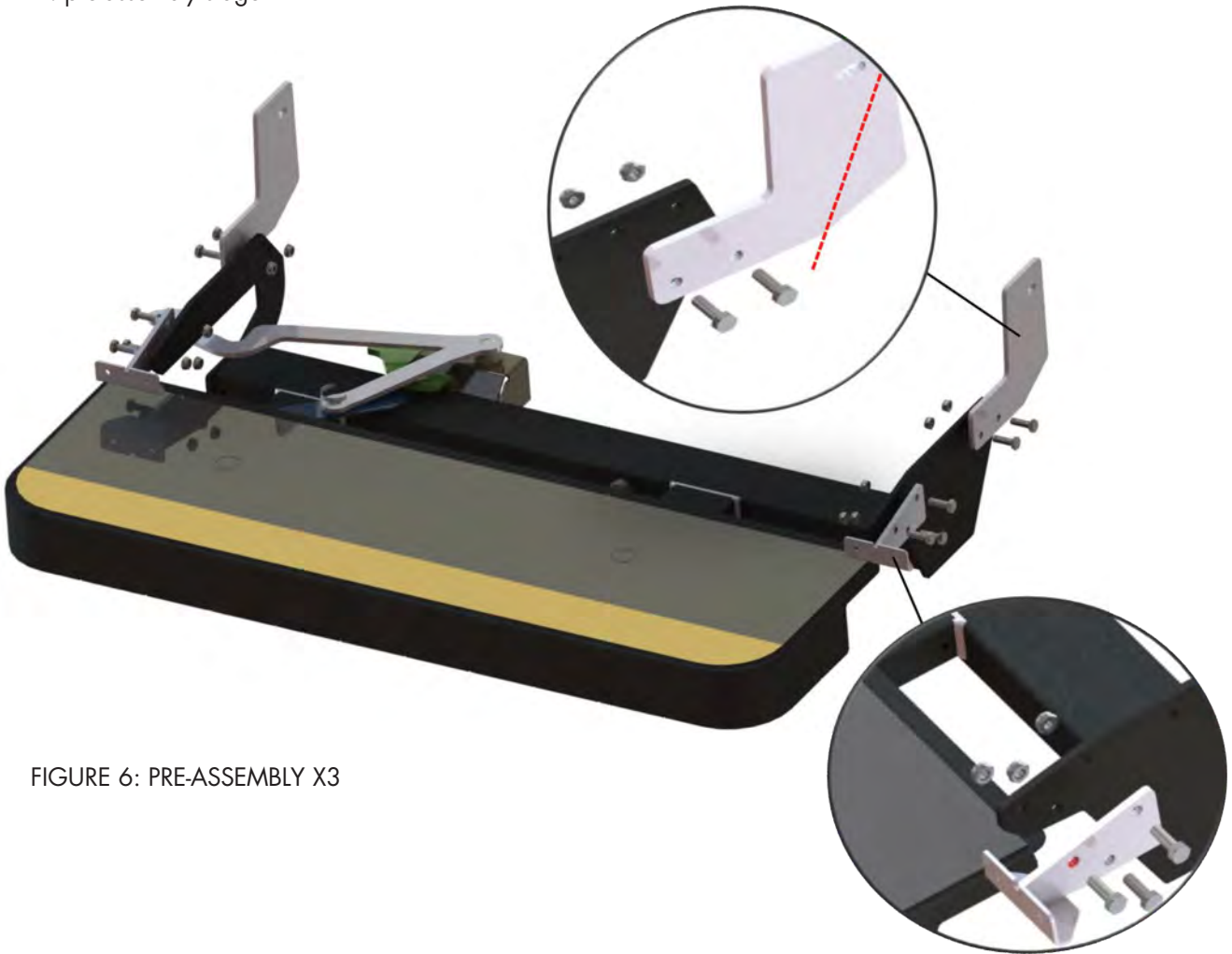


FIGURE 6: PRE-ASSEMBLY X3

The step can then be mounted on the body.

For this purpose, it is imperative that the step is secured against unintentional tipping / falling!

3. ASSEMBLY

2. MOUNTING ON THE BODY



FIG. 7: MOUNTING "REAR BRACKET"



3. ASSEMBLY

In the next step, align and secure the step. To attach the front mounting brackets, mark the position of the holes on the sill and drill through with a $\text{Ø}6.5\text{mm}$ drill. Drill 2 x 6.5 mm holes in each mounting bracket.

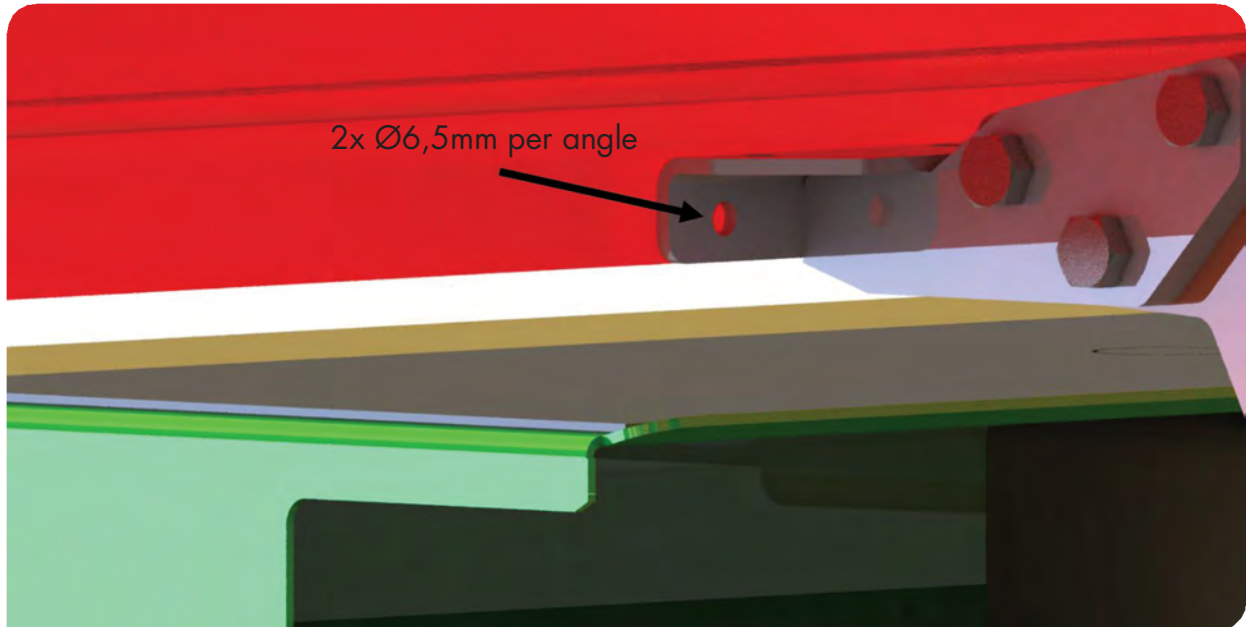


FIGURE 8: MOUNTING "FRONT BRACKET - 1

Please note to reseal drilled holes with suitable means!

Then screw the mounting brackets to the sill.

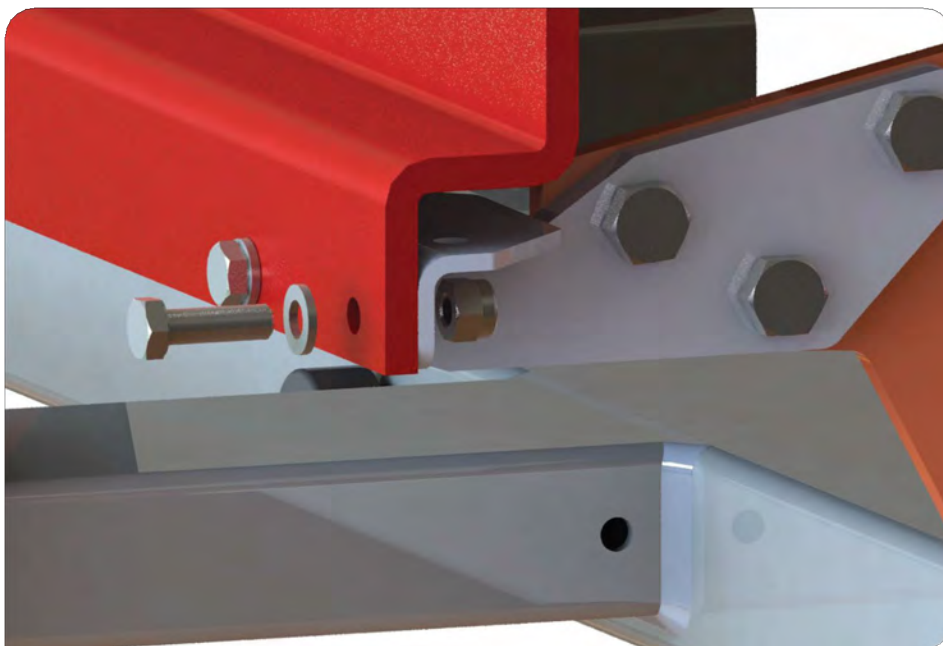


FIGURE 9 "FRONT BRACKET - 2" ASSEMBLY

3. ASSEMBLY

3.2 MOUNTING ON SLIDING DOOR

Fit the door-combined step to the sliding door of the vehicle using the door mounting kit supplied (see chapter 2.3.3. "Overview of Fiat Ducato door mounting kit").

1. ASSEMBLY OF CONNECTING ROD TO ACTUATING LEVER

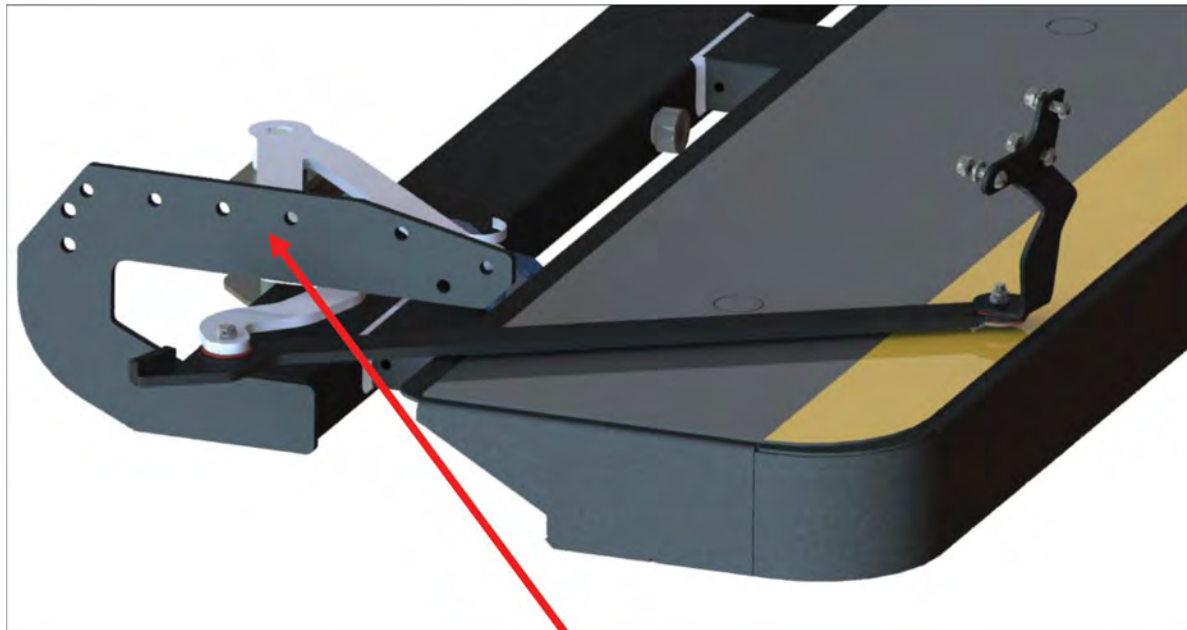


FIGURE 10: MOUNTING
CONNECTING ROD TO STEPPED
LEVER



3. ASSEMBLY

2. MOUNTING THE DOOR CONNECTION PLATE ON THE CONNECTING ROD

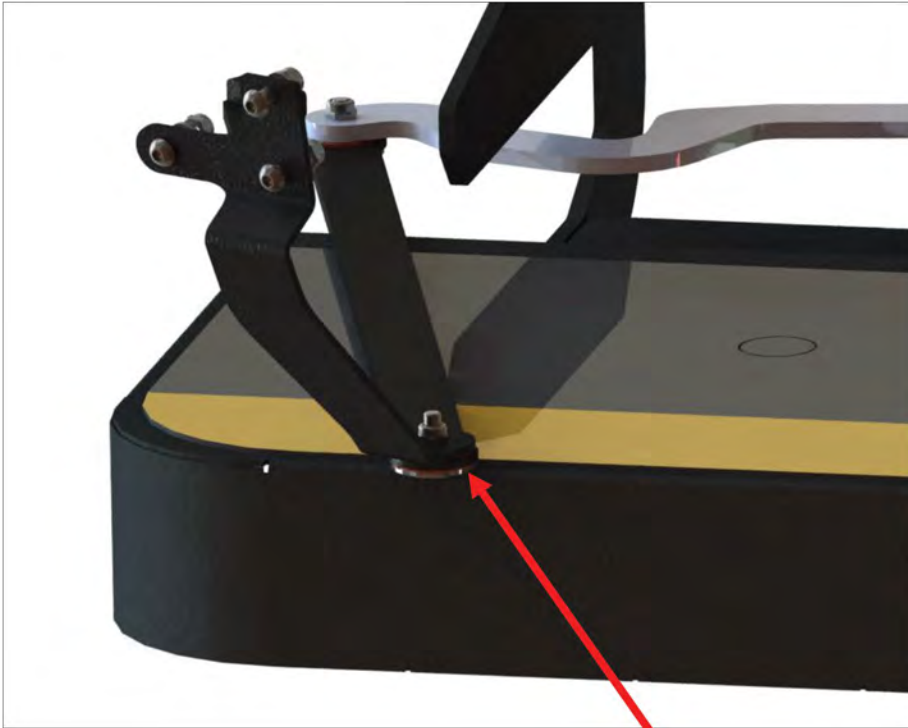


FIGURE 11: MOUNTING THE DOOR PANEL ON THE CONNECTING ROD



3. ASSEMBLY

3. MOUNTING THE DOOR CONNECTION PLATE ON THE SLIDING DOOR

Align the door connection plate and mark the drill holes on the sliding door.

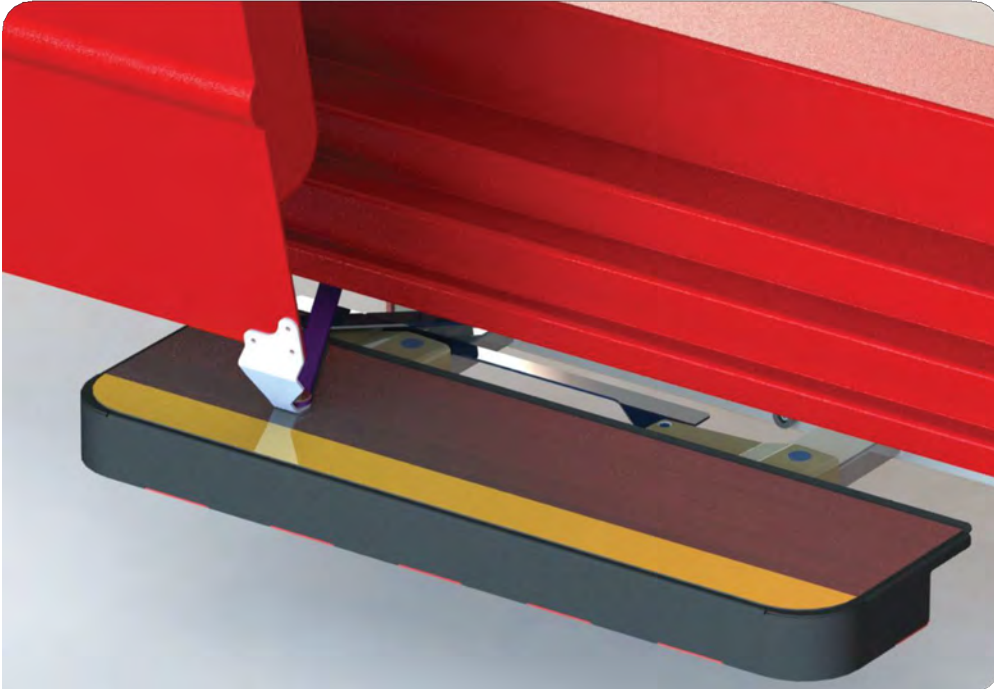


FIGURE 12: DOOR CONNECTOR ALIGNMENT

Then drill 3 x Ø6.5 mm at the marked points.

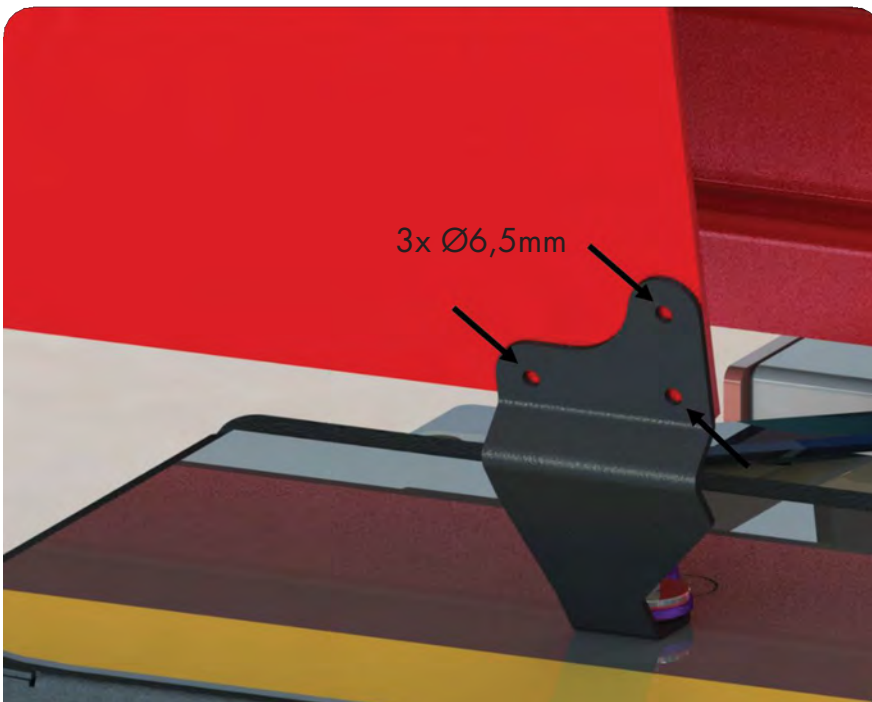


FIGURE 13: DOOR PANEL ASSEMBLY

Please note to reseal drilled holes with suitable means!

3. ASSEMBLY

In the last step, the door connection plate is screwed to the sliding door.

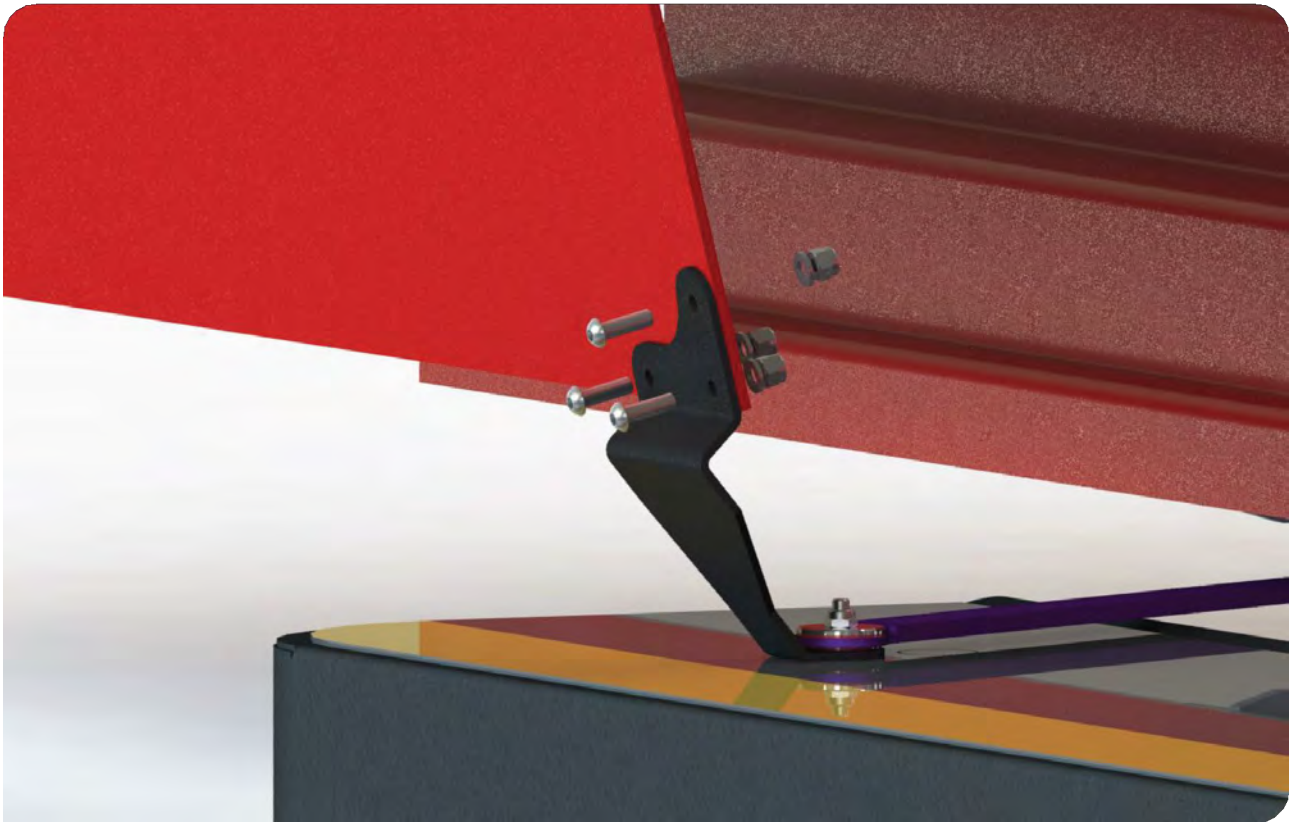


FIGURE 14: SCREWED DOOR PANEL

Afterwards, the installation should be checked again and the function tested.

4. USE OF THE STEP

The step should be tested after installation. Follow the instructions below to do this:

1. Visual inspection

Check that all screws are in the intended places and tightened.

2. Function

Extend and retract the step several times. Check whether there are any unusual noises or irregular movements.

3. If you have any concerns, please contact our customer service. Contact details can be found in the last chapter.

5. CARE/MAINTENANCE

If the step functions poorly or no longer due to dirt or frost, all hinges must be cleaned or defrosted. The moving parts are in maintenance-free plain bearings. Do NOT grease components.

The step must be cleaned as part of the vehicle's normal cleaning cycle. This depends on the use of the vehicle and the degree of soiling due to operation. Normal, mild cleaning agents should be used, just as for cleaning the other parts of the vehicle. The use of high-pressure cleaners is not recommended. Do not use aggressive solvents. These could damage the paint and glue used in the manufacture of the step.

6. DISPOSAL

Only have the disposal of the door-combined step carried out by qualified specialists after the period of use. The manufacturer accepts no liability for damage caused by improper disposal.

7. CUSTOMER SERVICE

The customer service of LEGEND Fleet Solutions is at your disposal for ordering spare parts, for maintenance and repair work and for problems and questions.

The address is:

LEGEND Fleet Solutions
56597 Hwy 3 West, Tillsonburg, ON
N4G 4G8
Tel.: +49 2293 / 81652-0
E-mail: info@legendfleet.com
www.legendoftheroad.com

